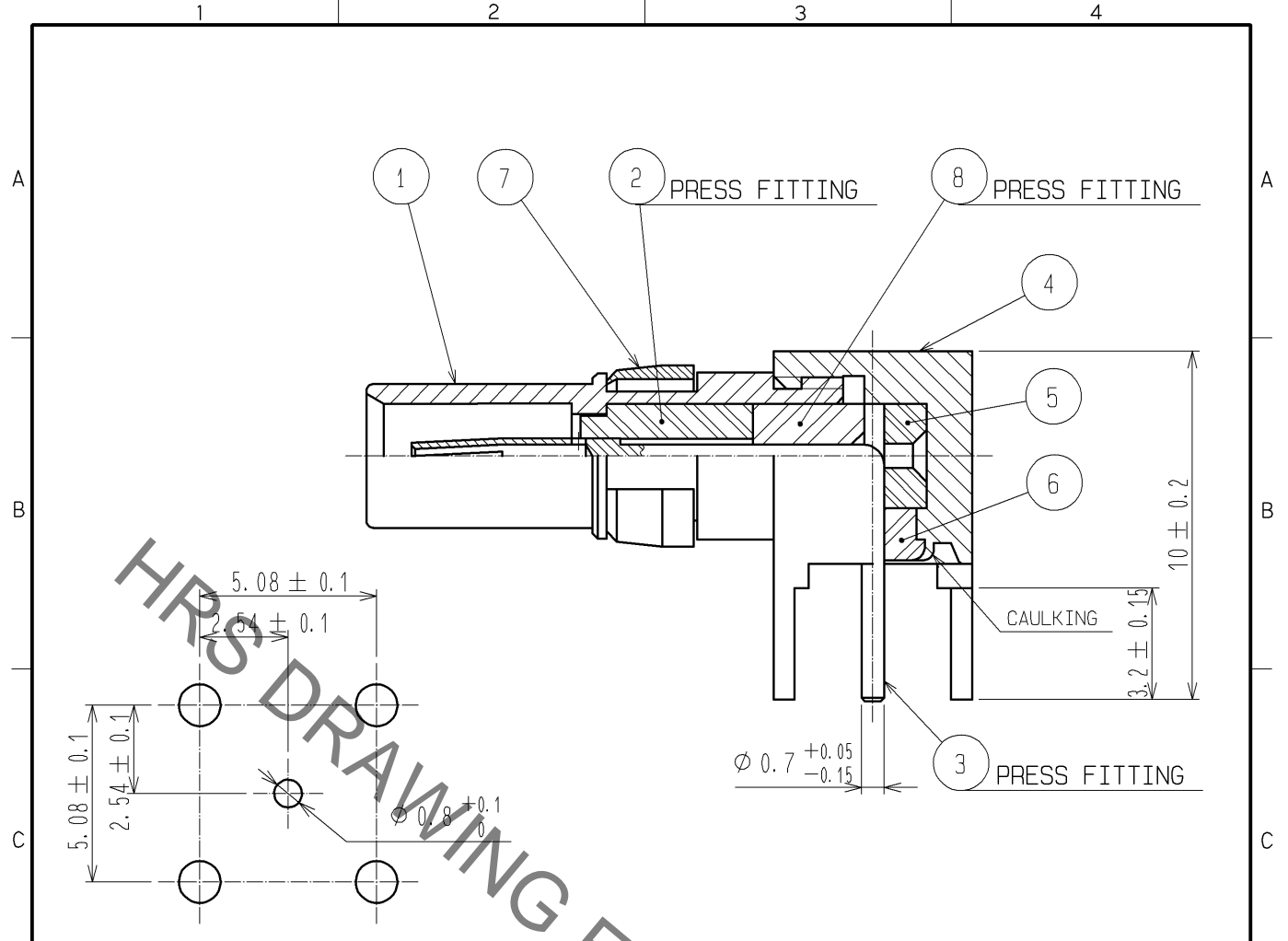
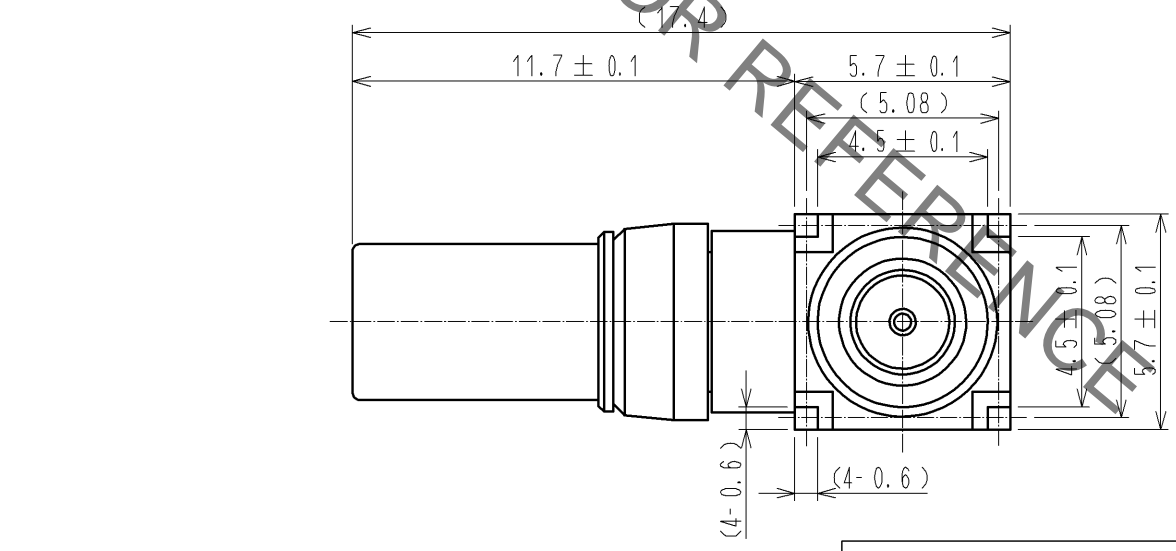


Aug.1.2022 Copyright 2022 HIROSE ELECTRIC CO., LTD. All Rights Reserved.
 In case of consideration for using Automotive equipment / device which demand high reliability, kindly contact our sales window correspondents.



RECOMMENDED PC BOARD PATTERN



RoHS COMPLIANT

4	BRASS	GOLD PLATING	8	PTFE	
3	BERYLLIUM COPPER	GOLD PLATING	7	BERYLLIUM COPPER	NICKEL PLATING
2	PTFE		6	PTFE	
1	BRASS	GOLD PLATING	5	PTFE	
NO.	MATERIAL	FINISH, REMARKS	NO.	MATERIAL	FINISH, REMARKS

UNITS mm		SCALE 5 : 1	COUNT 	DESCRIPTION OF REVISIONS	DESIGNED	CHECKED	DATE
-------------	--	----------------	-----------	--------------------------	----------	---------	------

HIROSE ELECTRIC CO., LTD.	APPROVED : MH. YAMANE	08. 02. 18	DRAWING NO.	EDC4-025990-40
	CHECKED : TO. KATAYAMA	08. 02. 16	PART NO.	P072-LR-PC-1(40)
	DESIGNED : HA. NISHIMURA	08. 02. 15	CODE NO.	CL330-0166-0-40
	DRAWN : HA. NISHIMURA	08. 02. 15		