

Data Card Module Power Management System

Features

- Handles all Mobile Phone Baseband Power Management
- 3.0V to 5.5V Input Range
- 2 LDOs Optimized for Specific Subsystems
- 1.5MHz, 600mA DC/DC Buck Converter
- 1.5MHz, 1.0A DC/DC Buck Converter
- High Operation Efficiency and Low Stand-by Current
- Thermal Overload Protection
- Power-on Reset
- 16-Pin TQFN (3mm x 3mm) Package
- WLCSP4X4-16 Package (1.6mm x 1.6mm)

Applications

- CDMA Data Card Module
- CDMA/GSM/GPRS Mobile Handsets
- Smart Phone

General Description

The G2220 is a power management system chip optimized for data card module. It contains 2 LDOs and 2 buck converters to power each critical blocks of data card, and is optimized for maximum battery life, featuring a ground current of only 250 μ A when in standby mode operation. The G2220 could be power-on and power-off by enable pin.

The G2220 is available in 16-pin TQFN (3 mm x 3 mm) package or WLCSP 4X4-16 (1.6mm x 1.6mm) package. The operating temperature range is from -40°C to +85°C.

Ordering Information

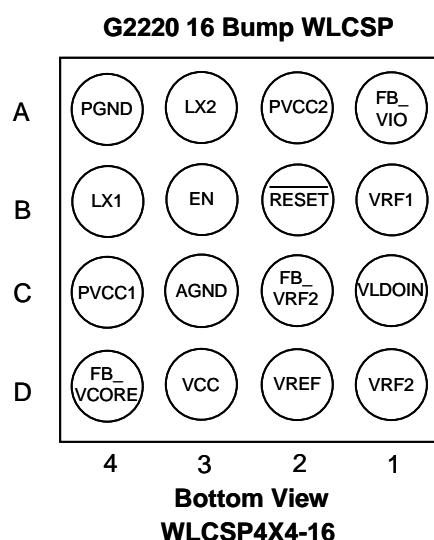
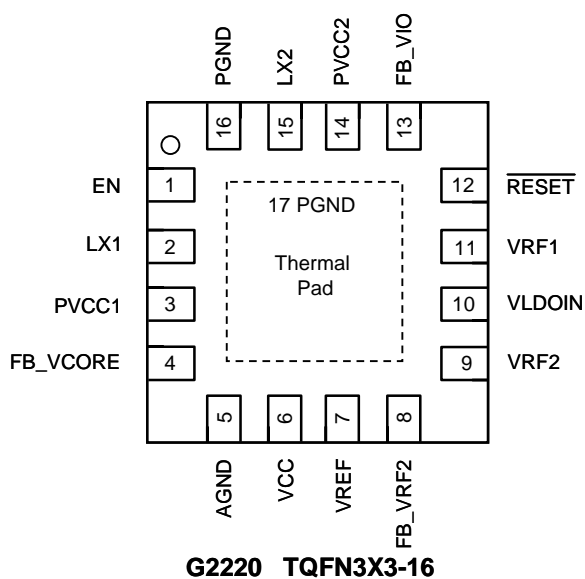
ORDER NUMBER	MARKING	TEMP. RANGE	PACKAGE (Green)
G2220R41U	2220	-40°C to +85°C	TQFN3X3-16
G2220BK1U	2220	-40°C to +85°C	WLCSP4X4-16

Note: R4: TQFN3X3-16; BK: WLCSP4X4-16

1: Bonding Code

U: Tape & Reel

Pin Configuration



Data Card Module Power Management System

Features

- Handles all Mobile Phone Baseband Power Management
- 3.0V to 5.5V Input Range
- 2 LDOs Optimized for Specific Subsystems
- 1.5MHz, 600mA DC/DC Buck Converter
- 1.5MHz, 1.0A DC/DC Buck Converter
- High Operation Efficiency and Low Stand-by Current
- Thermal Overload Protection
- Power-on Reset
- 16-Pin TQFN (3mm x 3mm) Package

Applications

- CDMA Data Card Module
- CDMA/GSM/GPRS Mobile Handsets
- Smart Phone

General Description

The G2221 is a power management system chip optimized for data card module. It contains 2 LDOs and 2 buck converters to power each critical blocks of data card, and is optimized for maximum battery life, featuring a ground current of only 250 μ A when in standby mode operation. The G2221 could be power-on and power-off by enable pin.

The G2221 is available in 16-pin TQFN (3 mm x 3 mm) package. The operating temperature range is from -40 $^{\circ}$ C to +85 $^{\circ}$ C.

Ordering Information

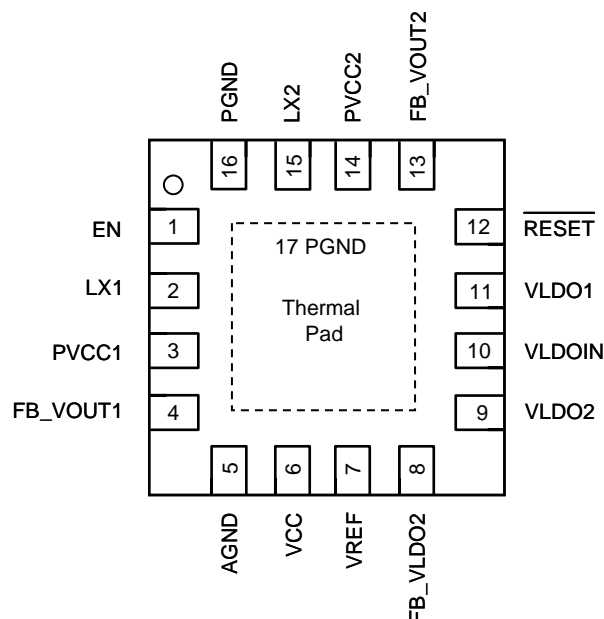
ORDER NUMBER	MARKING	TEMP. RANGE	PACKAGE (Green)
G2221R41U	2221	-40 $^{\circ}$ C to +85 $^{\circ}$ C	TQFN3X3-16

Note: R4: TQFN3X3-16

1: Bonding Code

U: Tape & Reel

Pin Configuration



G2221 TQFN3X3-16