

KLT-255544x, 2.5G DFB LD TO CAN**Description**

KLT255454x is long wavelength distributed feedback(DFB) laser diode(LD) sources in TO-56 package with flat window or ball lens or aspherical lens cap.

KLT255454x consists of an InGaAsP strained multi-quantum well(MQW) LD and an InGaAs PIN-PD for output monitoring. It operates at 1550nm wavelength band and with data rates of 2.5 Gbps.

It is suitable for fabricating pigtailed LD source, TOSA(transmitter optical sub assembly), and bi-directional module.

FEATURES

- High performance strained MQW InGaAsP LD with BH(buried hetero-junction) structure
- Hermetically sealed TO-56 package with flat window or ball lens or aspherical lens cap
- High reliability and environmental endurance
- Operating wavelength of 1.55μm band
- Operating temperature range from -20°C to 85°C
- Data rates of 2.5Gbps

APPLICATIONS

- SONET OC-24/SDH STM-8
- 1.25Gbps Gigabit Ethernet
- Suitable for fabrication of coaxial LD module, TOSA, and Bi-Di module

Absolute Maximum Ratings

Parameter	Symbol	Min	Max	unit
Operating temperature	T_{op}	-20	85	°C
Storage temperature	T_{stg}	-40	100	°C
Peak laser forward current	I_f		150	mA
Peak laser reverse voltage	V_{rl}		2	V
Peak forward monitor PD current	I_{fp}		2	mA
Peak reverse monitor PD voltage	V_{rp}		10	V

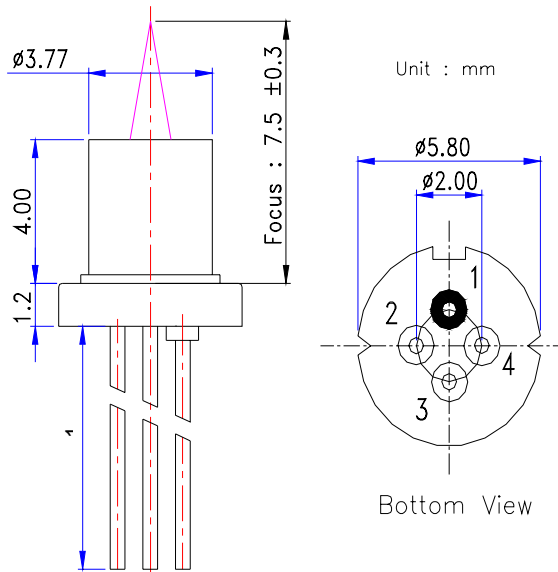
Optical and Electrical Characteristics (Top = 25°C otherwise specified)

Parameter	Symbol	Min	Typ	Max	Unit	Test Conditions
Threshold current	I_{th}		9	15	mA	CW
			35	50		CW, Top = 85°C
Rated output power	P_f		5		mW	CW, kink free
Operating current	I_{op}		25	40	mA	at rated Po=5mw
			60	80		at rated Po=5mw, Top=85°C
Operating voltage	V_{op}		1.1	1.5	V	at rated Po=5mw
Slope efficiency	η	0.25	0.3		mW/mA	CW, Po=5mW
Center wavelength	λ_c	1530	1550	1570	nm	at rated Po=5mw
Side mode suppression ratio	SMSR	30	40		dB	at rated Po=5mw
Optical rise and fall time	t_r		0.1	0.3	ns	20 to 80%, $I_b = I_{th}$
	t_f		0.1	0.3	ns	80 to 20%, $I_b = I_{th}$
Monitor PD current	I_m	0.05	0.2		mA	at rated Po=5mw, $V_{rp} = 1V$
Monitor PD dark current	I_d			0.1	μA	$V_{rp} = 10V$
Monitor PD capacitance	C_t		10	20	pF	$V_{rp} = 10V, 1MHz$

Note: The engineering spec can be revised without any previous notice.

KLT-255544x, 2.5G DFB LD TO CAN

Outline Drawing



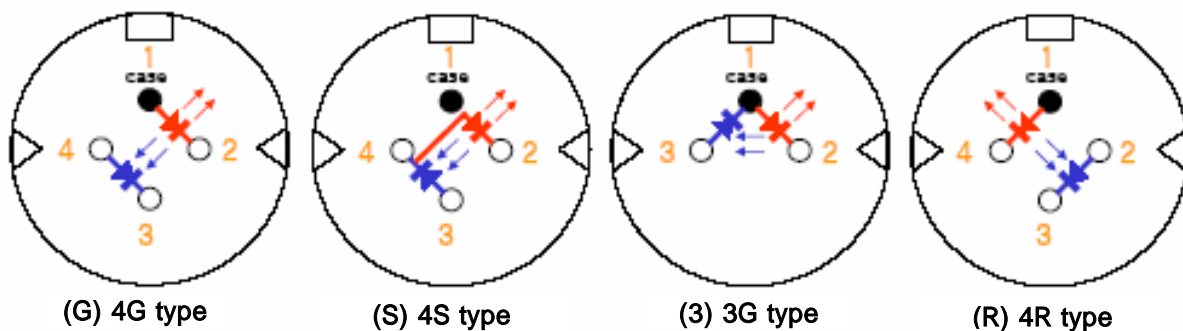
(Aspheric Lens type)

Pin connections

Pin config.	4G	4S	4R
pin no. 1	case ground/LD anode	Case ground	case ground/LD anode
pin no. 2	LD cathode	LD cathode	m-PD anode
pin no. 3	Monitor PD cathode	Monitor PD anode	m-PD cathode
pin no. 4	Monitor PD anode	LD anode/m-PD cathode	LD cathode

Ordering information

KLT	Device Type	Wavelength	Data Rate	Operating Temp.	Package type	Pin Config.
KODENSHI LD TO CAN	1 : FP(BH)	31 : 1310 nm	0 : CW	0 : 0~50	1 : 1.5 mm ball lens cap	G : 4G type
	2 : DFB	55 : 1550 nm	3 : 622 Mbps	1 : 0~70	2 : 2.0mm ball lens cap	S : 4S type
		49 : 1490nm	4 : 1.25 Gbps	2 : -20~70	3 : flat window cap	3 : 3G
			5 : 2.5 Gbps	3 : 0~85	4 : aspheric lens cap	R : 4R type
				4 : -20~85		
			5 : -40~85			



Pin configuration of LD TO Can Package (Bottom View)