



ZBMCC

ZIBO MICRO COMMERCIAL
COMPONENTS CORP.



ADD:ZhangLiu Road No.6
Zhangdian Zibo Shandong
P.C.:255000
Tel:+86-533-3032000/3032025
Fax:+86-533-3112884

RB461F

Features

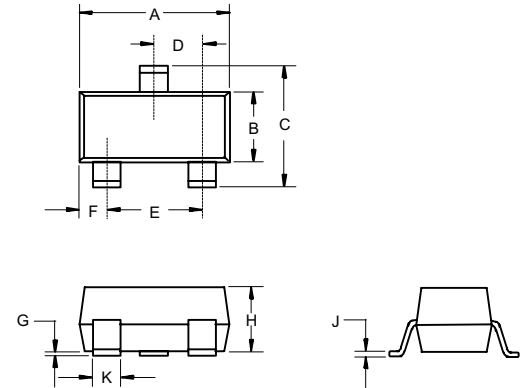
- Halogen free available upon request by adding suffix "-HF"
- High reliability
- Ultra Low V_F
- Epoxy meets UL 94 V-0 flammability rating
- Moisture Sensitivity Level 1
- Marking: 3B*
- Lead Free Finish/Rohs Compliant ("P" Suffix designates Compliant. See ordering information)

Maximum Ratings

Symbol	Parameter	Rating	Unit
V_{RM}	Peak Reverse Voltage	25	V
V_R	DC Blocking Voltage	20	V
I_o	Average Rectified Output Current	700	mA
P_D	Power Dissipation	150	mW
T_J	Junction Temperature	-55 to +150	°C
T_{STG}	Storage Temperature	-55 to +150	°C

700 mA Schottky Barrier Diode 20 Volts

SOT-323

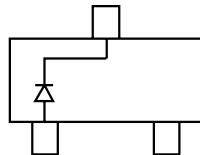


Electrical Characteristics @ 25°C Unless Otherwise Specified

Symbol	Parameter	Min	Typ	Max	Units
--------	-----------	-----	-----	-----	-------

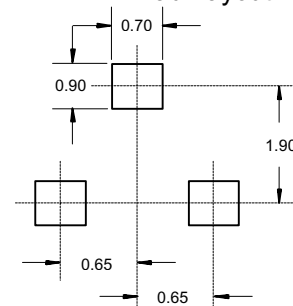
OFF CHARACTERISTICS

V_F	Forward Voltage ($I_F=700mA$)	---	---	0.49	Vdc
I_R	Reverse Current ($V_R=20Vdc$)	---	---	200	uA
$V_{(BR)}$	Reverse Breakdown Voltage ($I_R=200uA$)	20	---	---	Vdc



DIM	DIMENSIONS				NOTE
	INCHES		MM		
	MIN	MAX	MIN	MAX	
A	.079	.087	2.00	2.20	
B	.045	.053	1.15	1.35	
C	.083	.096	2.10	2.45	
D	.026 Nominal		0.65Nominal		
E	.047	.055	1.20	1.40	
F	.012	.016	.30	.40	
G	.000	.004	.000	.100	
H	.035	.039	.90	1.00	
J	.003	.006	.080	.150	
K	.006	.016	.15	.40	

Suggested Solder Pad Layout





ZIBO MICRO COMMERCIAL
COMPONENTS CORP.

Ordering Information :

Device	Packing
Part Number-TP	Tape&Reel: 3Kpcs/Reel

Note : Adding "-HF" suffix for halogen free, eg. Part Number-TP-HF

*****LIFE SUPPORT*****

ZBMCC's products are not authorized for use as critical components in life support devices or systems without the express written approval of ZiBo Micro Commercial Components Corp.

*****CUSTOMER AWARENESS*****

Counterfeiting of semiconductor parts is a growing problem in the industry. ZiBo Micro Commercial Components Corp. is taking strong measures to protect ourselves and our customers from the proliferation of counterfeit parts. ZBMCC strongly encourages customers to purchase ZBMCC parts either directly from ZBMCC or from Authorized ZBMCC Distributors who are listed by country on our web page cited below. Products customers buy either from ZBMCC directly or from Authorized ZBMCC Distributors are genuine parts, have full traceability, meet ZBMCC's quality standards for handling and storage. ZBMCC will not provide any warranty coverage or other assistance for parts bought from Unauthorized Sources. ZBMCC is committed to combat this global problem and encourage our customers to do their part in stopping this practice by buying direct or from authorized distributors.