

HD74AC283/HD74ACT283

4-bit Binary Full Adder with Fast Carry

HITACHI

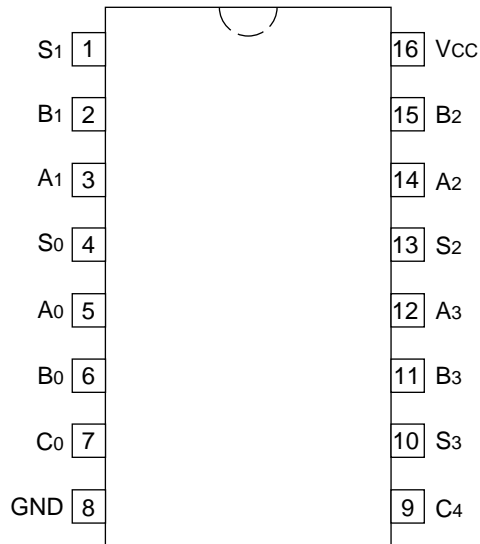
Description

The HD74AC283/HD74ACT283 high-speed 4-bit binary full adder with internal carry lookahead accepts two 4-bit binary works ($A_0 - A_3$, $B_0 - B_3$) and a Carry input (C_0). It generates the binary Sum outputs ($S_0 - S_3$) and the Carry output (C_4) from the most significant bit. The HD74AC283/HD74ACT283 will operate with either active High or active Low operands (positive or negative logic).

Features

- Outputs Source/Sink 24 mA
- HD74ACT283 has TTL-Cmpatible Inputs

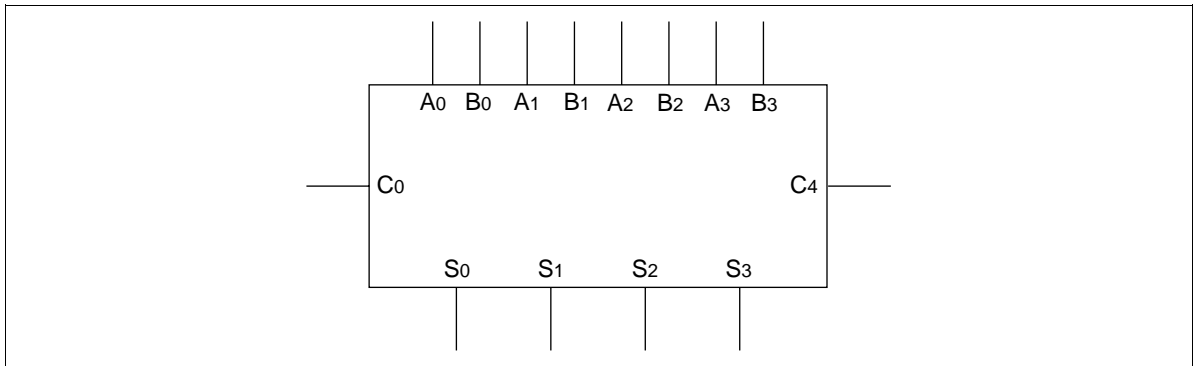
Pin Arrangement



(Top view)

HD74AC283/HD74ACT283

Logic Symbol



Pin Names

- A₀ – A₃ A Operand Inputs
- B₀ – B₃ B Operand Inputs
- C₀ Carry Input
- S₀ – S₃ Sum Outputs
- C₄ Carry Output

Functional Description

The HD74AC283/HD74ACT283 adds two 4-bit binary words (A plus B) plus the incoming Carry (C₀). The binary sum appears on the Sum (S₀ – S₃) and outgoing carry (C₄) outputs. The binary weight of the various inputs and outputs is indicated by the subscript numbers, representing powers of two.

$$2^0 (A_0 + B_0 + C_0) + 2^1 (A_1 + B_1) + 2^2 (A_2 + B_2) + 2^3 (A_3 + B_3) = S_0 + 2S_1 + 4S_2 + 8S_3 + 16C_4$$

Where (+) = plus

Interchanging inputs of equal weight does not affect the operation. Thus C₀, A₀, B₀ can be arbitrarily assigned to pins 5, 6 and 7 for DIPS. Due to the symmetry of the binary add function, the HD74AC283/HD74ACT283 can be used either with all inputs and outputs active High (positive logic) or with all inputs and outputs active Low (negative logic). See Figure a. Note that if C₀ is not used it must be tied Low for active High logic or tied High for active Low logic.

Due to pin limitations, the intermediate carries of the HD74AC283/HD74ACT283 are not brought out for use as inputs or outputs. However, other means can be used to effectively insert a carry into, or bring a carry out from, an intermediate stage. Figure b shows how to make a 3-bit adder. Tying the operand inputs of the fourth adder (A₃, B₃) Low makes S₃ dependent only on, and equal to, the carry from the third adder. Using somewhat the same principle Figure c shows a way of dividing the HD74AC283/HD74ACT283 into a 2-bit and a 1-bit adder. The third stage adder (A₂, B₂, S₂) is used merely as a means of getting a carry (C₁₀) signal into the fourth stage (via A₂ and B₂) and bringing out the carry from the second stage on S₂. Note that as long as A₂ and B₂ are the same, whether High or Low, they do not influence S₂. Similarly, when A₂ and B₂ are the same the carry into the third stage does not influence the carry out of the third

HITACHI

stage. Figure d shows a method of implementing a 5-input encoder, where the inputs are equally weighted. The outputs S_0 , S_1 and S_2 present a binary number equal to the number of inputs $I_1 - I_5$ that are true. Figure e shows one method of implementing a 5-input majority gate. When three or more of the inputs $I_1 - I_5$ are true, the output M_5 is true.

Fig. a Active HIGH versus Active LOW Interpretation

	C_0	A_0	A_1	A_2	A_3	B_0	B_1	B_2	B_3	S_0	S_1	S_2	S_3	C_4
Logic levels	L	L	H	L	H	H	L	L	H	H	H	L	L	H
Active HIGH	0	0	1	0	1	1	0	0	1	1	1	0	0	1
Active LOW	1	1	0	1	0	0	1	1	0	0	0	1	1	0

Active HIGH: $0 + 10 + 9 = 3 + 16$

Active LOW: $1 + 5 + 6 = 12 + 0$

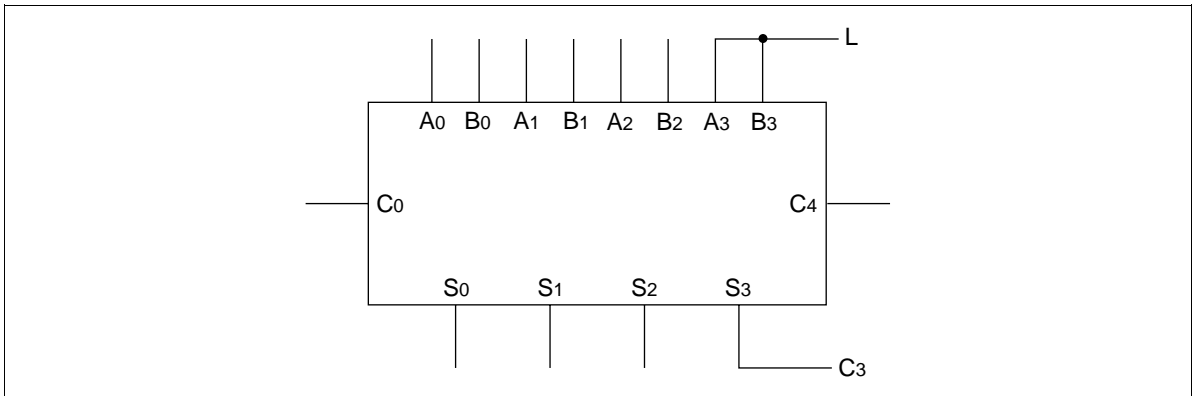


Fig. b 3-bit Adder

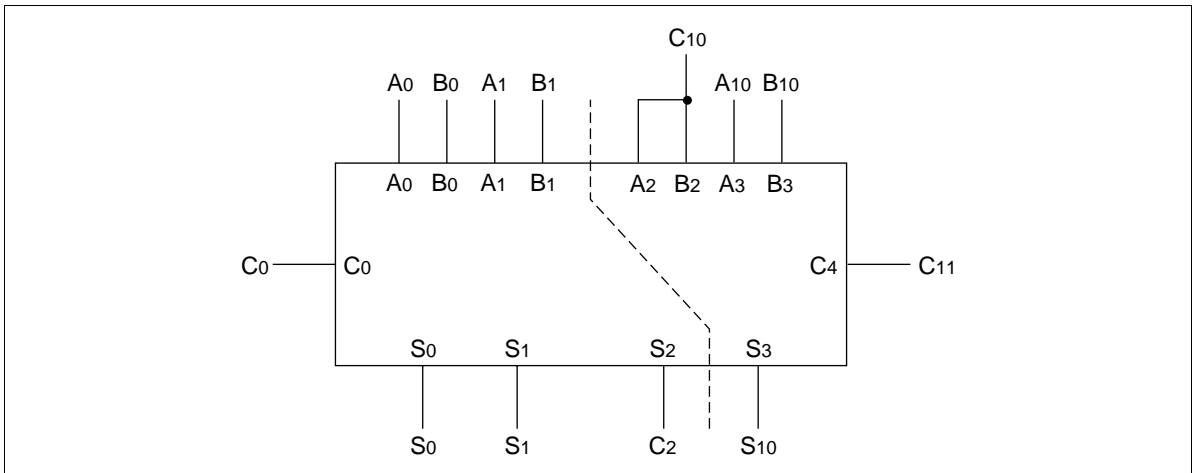


Fig. c 2-bit and 1-bit adders

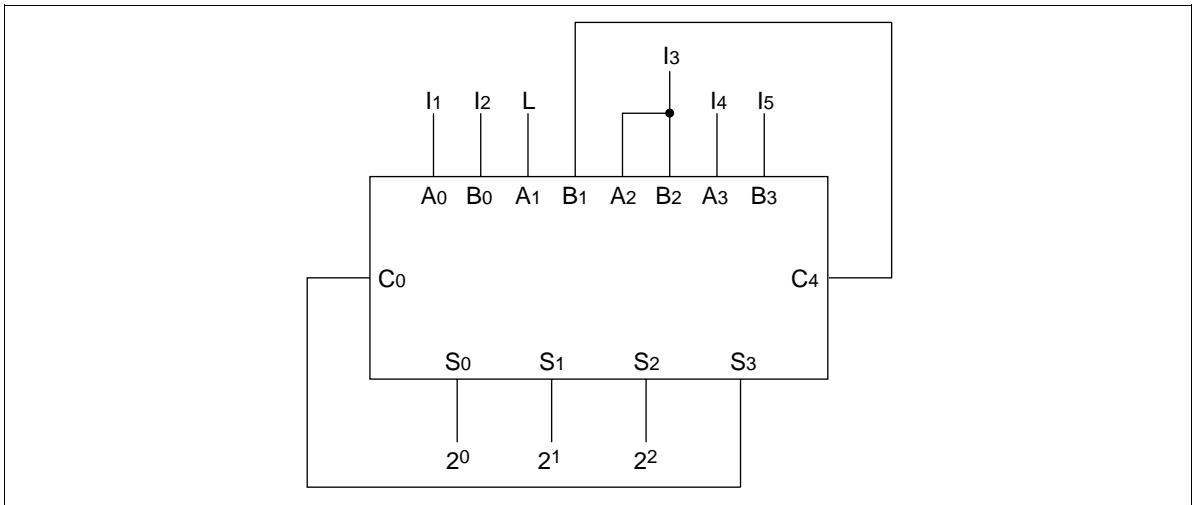


Fig. d 5-Input Encoder

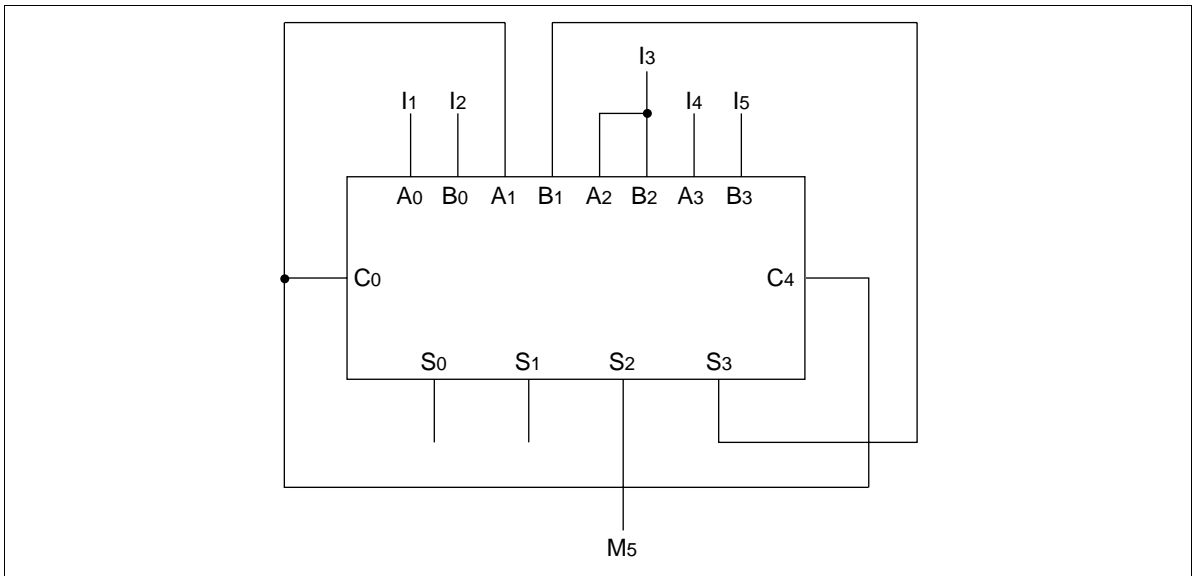
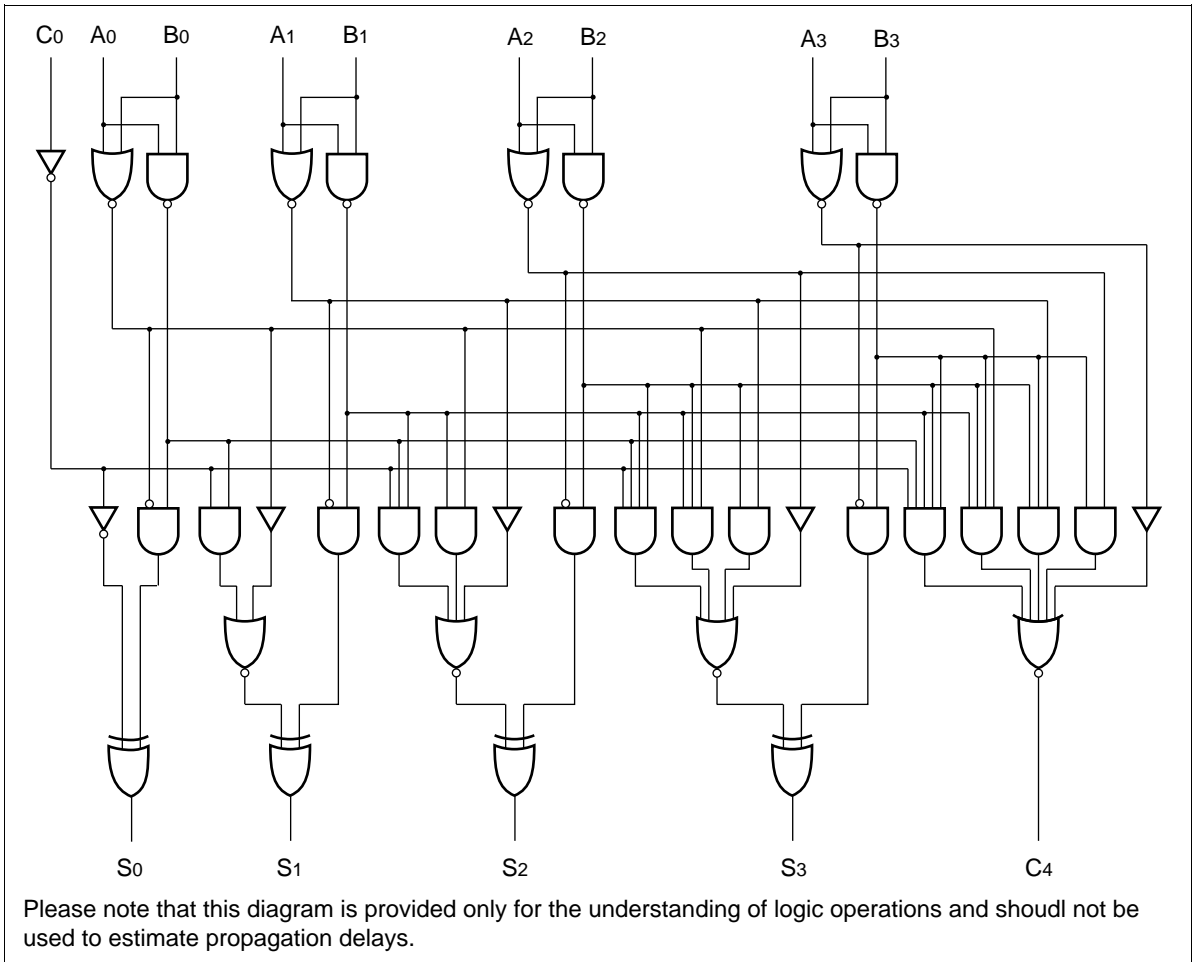


Fig. e 5-Input Majority Gate

Logic Diagram



DC Characteristics (unless otherwise specified)

Item	Symbol	Max	Unit	Condition
Maximum quiescent supply current	I_{CC}	80	μA	$V_{IN} = V_{CC}$ or ground, $V_{CC} = 5.5 V$, $T_a = \text{Worst case}$
Maximum quiescent supply current	I_{CC}	8.0	μA	$V_{IN} = V_{CC}$ or ground, $V_{CC} = 5.5 V$, $T_a = 25^\circ C$
Maximum I_{CC}/input (HD74ACT283)	I_{CCT}	1.5	mA	$V_{IN} = V_{CC} - 2.1 V$, $V_{CC} = 5.5 V$, $T_a = \text{Worst case}$

HD74AC283/HD74ACT283

AC Characteristics: HD74AC283

Item	Symbol	V _{cc} (V)* ¹	Ta = +25°C C _L = 50 pF			Ta = -40°C to +85°C C _L = 50 pF		Unit
			Min	Typ	Max	Min	Max	
Propagation delay	t _{PLH}	3.3	1.0	11.5	15.0	1.0	16.5	ns
C ₀ to S _n		5.0	1.0	9.5	11.5	1.0	12.5	
Propagation delay	t _{PHL}	3.3	1.0	10.5	14.0	1.0	15.5	ns
C ₀ to S _n		5.0	1.0	8.5	10.5	1.0	11.5	
Propagation delay	t _{PLH}	3.3	1.0	14.0	17.0	1.0	18.5	ns
A _n or B _n to S _n		5.0	1.0	11.5	13.5	1.0	14.5	
Propagation delay	t _{PHL}	3.3	1.0	13.5	16.5	1.0	18.0	ns
A _n or B _n to S _n		5.0	1.0	11.0	13.0	1.0	14.0	
Propagation delay	t _{PLH}	3.3	1.0	9.5	12.5	1.0	15.5	ns
C ₀ to C ₄		5.0	1.0	7.5	9.5	1.0	10.5	
Propagation delay	t _{PHL}	3.3	1.0	10.0	13.0	1.0	14.0	ns
C ₀ to C ₄		5.0	1.0	8.0	10.0	1.0	11.0	
Propagation delay	t _{PLH}	3.3	1.0	11.5	14.5	1.0	16.0	ns
A _n or B _n to C ₄		5.0	1.0	9.5	11.5	1.0	12.5	
Propagation delay	t _{PHL}	3.3	1.0	12.0	15.0	1.0	16.5	ns
A _n or B _n to C ₄		5.0	1.0	10.0	12.0	1.0	13.0	

Note: 1. Voltage Range 3.3 is 3.3 V ± 0.3 V
Voltage Range 5.0 is 5.0 V ± 0.5 V

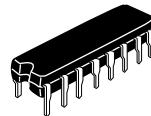
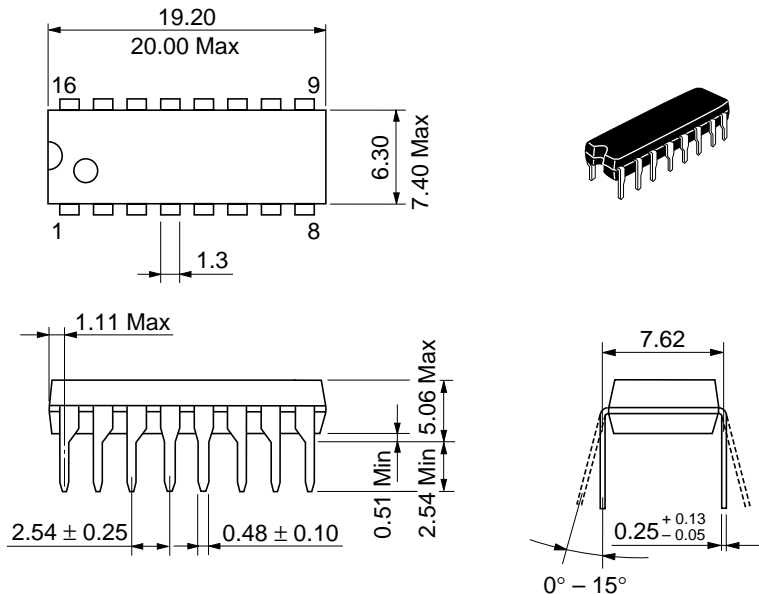
AC Characteristics: HD74ACT283

Item	Symbol	V _{CC} (V) ^{*1}	Ta = +25°C C _L = 50 pF			Ta = -40°C to +85°C C _L = 50 pF		Unit
			Min	Typ	Max	Min	Max	
Propagation delay C ₀ to S _n	t _{PLH}	5.0	1.0	11.5	13.5	1.0	14.5	ns
Propagation delay C ₀ to S _n	t _{PHL}	5.0	1.0	10.0	12.0	1.0	13.0	ns
Propagation delay A _n or B _n to S _n	t _{PLH}	5.0	1.0	13.0	15.0	1.0	16.5	ns
Propagation delay A _n or B _n to S _n	t _{PHL}	5.0	1.0	12.0	14.0	1.0	15.5	ns
Propagation delay C ₀ to C ₄	t _{PLH}	5.0	1.0	9.0	11.0	1.0	12.0	ns
Propagation delay C ₀ to C ₄	t _{PHL}	5.0	1.0	10.0	12.0	1.0	13.0	ns
Propagation delay A _n or B _n to C ₄	t _{PLH}	5.0	1.0	11.0	13.0	1.0	14.0	ns
Propagation delay A _n or B _n to C ₄	t _{PHL}	5.0	1.0	11.5	13.5	1.0	14.5	ns

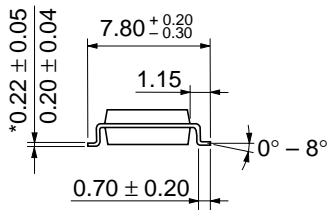
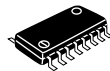
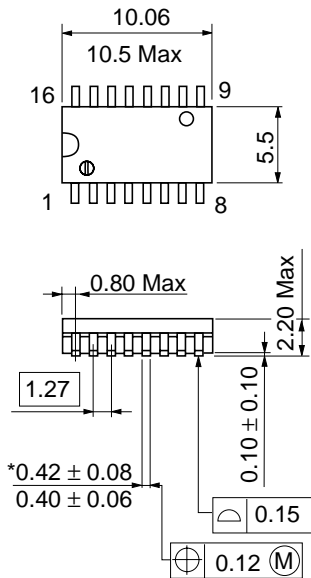
Note: 1. Voltage Range 5.0 is 5.0 V ± 0.5 V

Capacitance

Item	Symbol	Typ	Unit	Condition
Input capacitance	C _{IN}	4.5	pF	V _{CC} = 5.5 V
Power dissipation capacitance	C _{PD}	60.0	pF	V _{CC} = 5.0 V

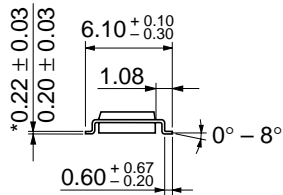
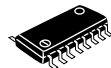
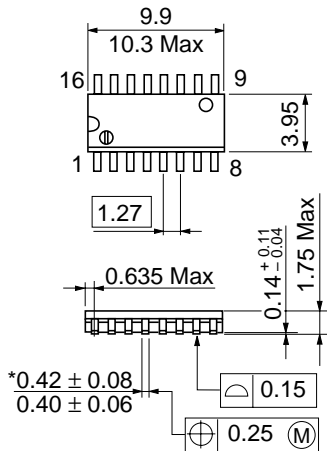


Hitachi Code	DP-16
JEDEC	Conforms
EIAJ	Conforms
Weight (reference value)	1.07 g



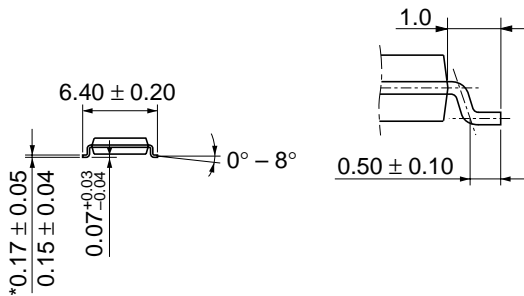
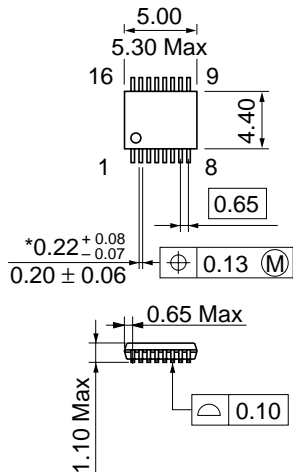
*Dimension including the plating thickness
Base material dimension

Hitachi Code	FP-16DA
JEDEC	—
EIAJ	Conforms
Weight (reference value)	0.24 g



*Dimension including the plating thickness
Base material dimension

Hitachi Code	FP-16DN
JEDEC	Conforms
EIAJ	Conforms
Weight (reference value)	0.15 g



*Dimension including the plating thickness
 Base material dimension

Hitachi Code	TTP-16DA
JEDEC	—
EIAJ	—
Weight (reference value)	0.05 g

Cautions

1. Hitachi neither warrants nor grants licenses of any rights of Hitachi's or any third party's patent, copyright, trademark, or other intellectual property rights for information contained in this document. Hitachi bears no responsibility for problems that may arise with third party's rights, including intellectual property rights, in connection with use of the information contained in this document.
2. Products and product specifications may be subject to change without notice. Confirm that you have received the latest product standards or specifications before final design, purchase or use.
3. Hitachi makes every attempt to ensure that its products are of high quality and reliability. However, contact Hitachi's sales office before using the product in an application that demands especially high quality and reliability or where its failure or malfunction may directly threaten human life or cause risk of bodily injury, such as aerospace, aeronautics, nuclear power, combustion control, transportation, traffic, safety equipment or medical equipment for life support.
4. Design your application so that the product is used within the ranges guaranteed by Hitachi particularly for maximum rating, operating supply voltage range, heat radiation characteristics, installation conditions and other characteristics. Hitachi bears no responsibility for failure or damage when used beyond the guaranteed ranges. Even within the guaranteed ranges, consider normally foreseeable failure rates or failure modes in semiconductor devices and employ systemic measures such as fail-safes, so that the equipment incorporating Hitachi product does not cause bodily injury, fire or other consequential damage due to operation of the Hitachi product.
5. This product is not designed to be radiation resistant.
6. No one is permitted to reproduce or duplicate, in any form, the whole or part of this document without written approval from Hitachi.
7. Contact Hitachi's sales office for any questions regarding this document or Hitachi semiconductor products.

HITACHI

Hitachi, Ltd.

Semiconductor & Integrated Circuits.
Nippon Bldg., 2-6-2, Ohte-machi, Chiyoda-ku, Tokyo 100-0004, Japan
Tel: Tokyo (03) 3270-2111 Fax: (03) 3270-5109

URL North America : <http://semiconductor.hitachi.com/>
 Europe : <http://www.hitachi-eu.com/hel/ecg>
 Asia (Singapore) : <http://www.has.hitachi.com.sg/grp3/sicd/index.htm>
 Asia (Taiwan) : http://www.hitachi.com.tw/E/Product/SICD_Frame.htm
 Asia (HongKong) : <http://www.hitachi.com.hk/eng/bo/grp3/index.htm>
 Japan : <http://www.hitachi.co.jp/Sicd/indx.htm>

For further information write to:

Hitachi Semiconductor
(America) Inc.
179 East Tasman Drive,
San Jose, CA 95134
Tel: <1> (408) 433-1990
Fax: <1>(408) 433-0223

Hitachi Europe GmbH
Electronic components Group
Dornacher Straße 3
D-85622 Feldkirchen, Munich
Germany
Tel: <49> (89) 9 9180-0
Fax: <49> (89) 9 29 30 00

Hitachi Europe Ltd.
Electronic Components Group.
Whitebrook Park
Lower Cookham Road
Maidenhead
Berkshire SL6 8YA, United Kingdom
Tel: <44> (1628) 585000
Fax: <44> (1628) 778322

Hitachi Asia Pte. Ltd.
16 Collyer Quay #20-00
Hitachi Tower
Singapore 049318
Tel: 535-2100
Fax: 535-1533

Hitachi Asia Ltd.
Taipei Branch Office
3F, Hung Kuo Building, No.167,
Tun-Hwa North Road, Taipei (105)
Tel: <886> (2) 2718-3666
Fax: <886> (2) 2718-8180

Hitachi Asia (Hong Kong) Ltd.
Group III (Electronic Components)
7/F., North Tower, World Finance Centre,
Harbour City, Canton Road, Tsim Sha Tsui,
Kowloon, Hong Kong
Tel: <852> (2) 735 9218
Fax: <852> (2) 730 0281
Telex: 40815 HITEC HX

Copyright ' Hitachi, Ltd., 1999. All rights reserved. Printed in Japan.

HITACHI