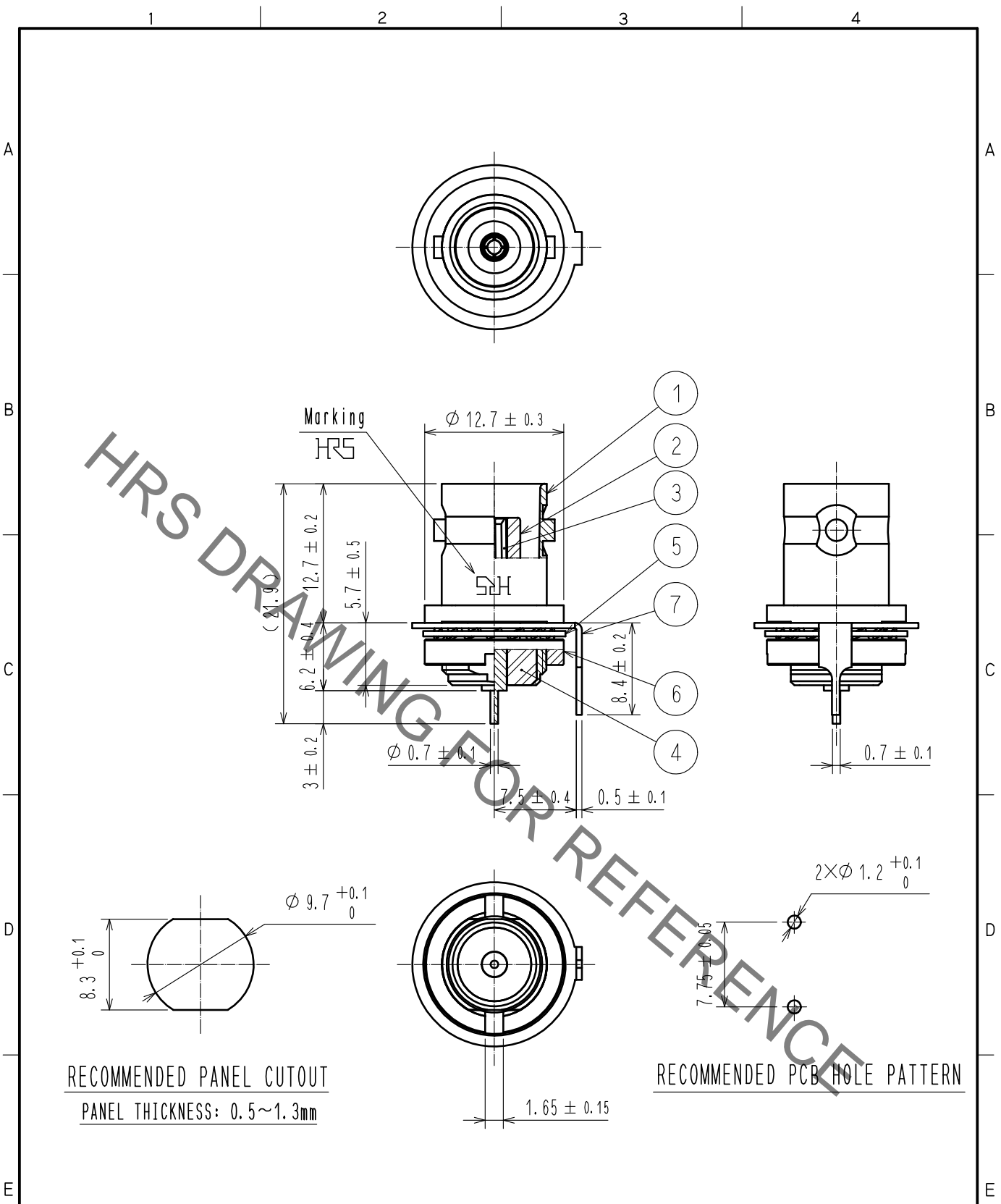


Aug. 1. 2022 Copyright 2022 HIROSE ELECTRIC CO., LTD. All Rights Reserved.
 In case of consideration for using Automotive equipment / device which demand high reliability, kindly contact our sales window correspondents.



RECOMMENDED PANEL CUTOUT
 PANEL THICKNESS: 0.5~1.3mm

RECOMMENDED PCB HOLE PATTERN

4	PTFE							
3	BERYLLIUM COPPER	SILVER PLATING	7	BRASS	NICKEL PLATING			
2	PTFE		6	BRASS	NICKEL PLATING			
1	BRASS	NICKEL PLATING	5	STEEL	NICKEL PLATING			
NO.	MATERIAL	FINISH	REMARKS	NO.	MATERIAL	FINISH	REMARKS	
UNITS mm		SCALE 2 : 1	COUNT 	DESCRIPTION OF REVISIONS		DESIGNED	CHECKED	DATE
HIROSE ELECTRIC CO., LTD.		APPROVED	·NK. NINOMIYA	20211029	DRAWING NO.	EDC-009734-40-00		
		CHECKED	·NK. NINOMIYA	20211029	PART NO.	UG-625/U-10(40)		
		DESIGNED	·MT. KANEKO	20211029	CODE NO.	CL0302-0253-3-40		
		DRAWN	·YK. MITSUISHI	20211029				