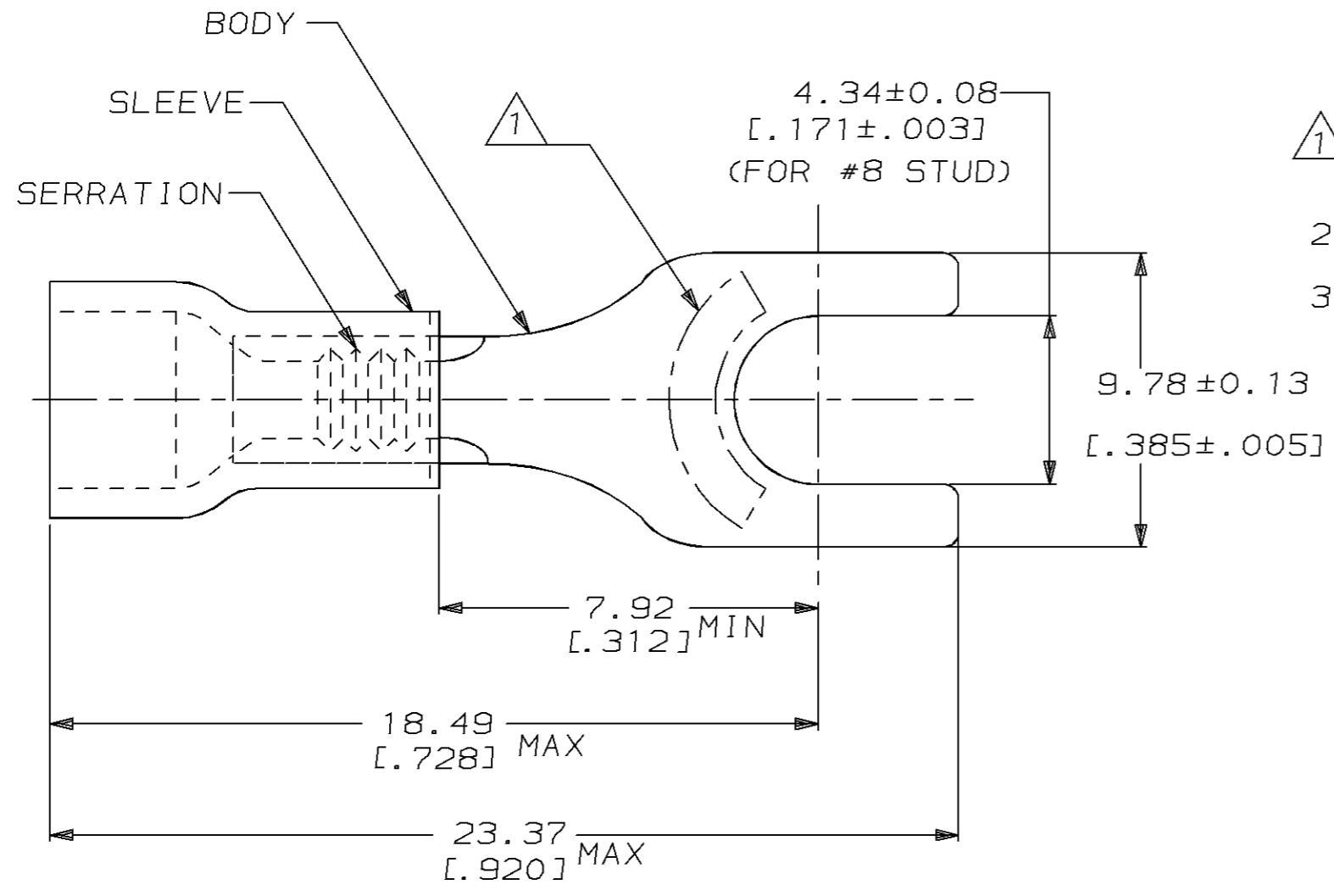


THIS DRAWING IS UNPUBLISHED. RELEASED FOR PUBLICATION ,19 .
 © COPYRIGHT 19 BY AMP INCORPORATED. ALL RIGHTS RESERVED.

LOC		DIST		REVISIONS			
P	LTR	DESCRIPTION		DATE	DWN	APVD	
G	14	F		REDRAWN PER EC 0720-0432-94	07NOV94	LO ME	

AMP WIRE RANGE	UL E13288	SR LR7189 Certified
- - SOLID OR STRANDED	- - SOLID OR STRANDED	- - SOLID OR STRANDED



- 1. STAMP AMP 16-14* LOCATE APPROX AS SHOWN
- 2. WIRE INSUL DIA, 2.92 TO 4.32 [.115 TO .170]
- 3. TONGUE MATL THK, 0.79 ± 0.05 [.031 ± .002]

QTY	PACKAGE TYPE	PART NO
5	LOOSE PIECE, BLS	8-34166-4
100	LOOSE PIECE, BOX	8-34166-1
5000	ON TAPE, REEL	2-34166-1
1000	LOOSE PIECE	34166

AMP INCORPORATED
CUSTOMER SERVICE SYSTEM

FOR ADDITIONAL PRODUCT INFORMATION OR COPIES OF DRAWINGS AND TECHNICAL DOCUMENTS: PRODUCT INFORMATION CENTER 1-800-522-6752

FOR APPLICATION TOOLING INFORMATION: TOOLING ASSISTANCE CENTER 1-800-722-1111

FOR ORDER ENTRY: 1-800-526-5142

MAX RECOMMENDED OPERATING TEMPERATURE:
 90°C [194°F]

VOLTAGE RATING:
 600V MAX
 (1000V FIXTURE OR SIGN)

CIRCULAR MIL AREA:
 1.04mm²-2.62mm² [2050-5180]

THIS DRAWING IS A CONTROLLED DOCUMENT FOR AMP INCORPORATED. IT IS SUBJECT TO CHANGE AND THE CONTROLLING ENGINEERING ORGANIZATION SHOULD BE CONTACTED FOR THE LATEST REVISION.

DIMENSIONS: mm [in]

TOLERANCES UNLESS OTHERWISE SPECIFIED:

0 PLC	±-
1 PLC	±-
2 PLC	±0.20 [.008]
3 PLC	±-
4 PLC	±-
ANGLES	±-
FINISH	-

MATERIAL: BODY, CU PER ASTM B152; SLEEVE, PVC, BLUE

DWN L OLMEDA 03NOV94	AMP AMP Incorporated Harrisburg, PA 17105-3608
CHK M ELLIS 03NOV94	
APVD G NGO 03NOV94	
PRODUCT SPEC UL486A	
APPLICATION SPEC -	NAME: TERMINAL, SPADE, PLASTI-GRIP, WIRE SIZE, 16-14 AWG
WEIGHT -	SIZE: A3 CAGE CODE: 00779 DRAWING NO: C-34166
CUSTOMER DRAWING	SCALE: 6:1 SHEET: 1 OF 1 REV: F