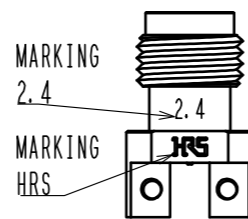


Aug.1.2022 Copyright 2022 HIROSE ELECTRIC CO., LTD. All Rights Reserved.
In case of consideration for using Automotive equipment / device which demand high reliability, kindly contact our sales window correspondents.

Attachment: Unified screw thread 0-80UNF 1/4inch

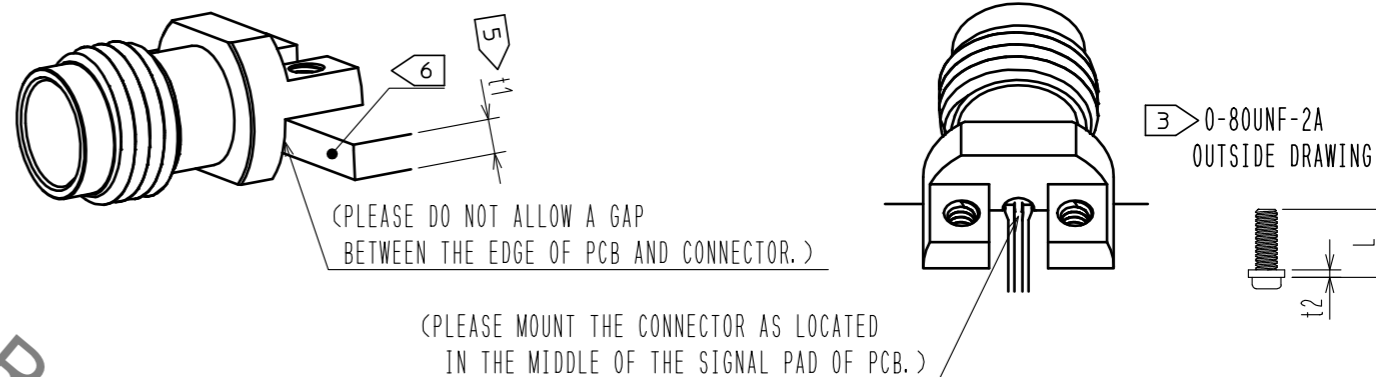
MARKING POSITION



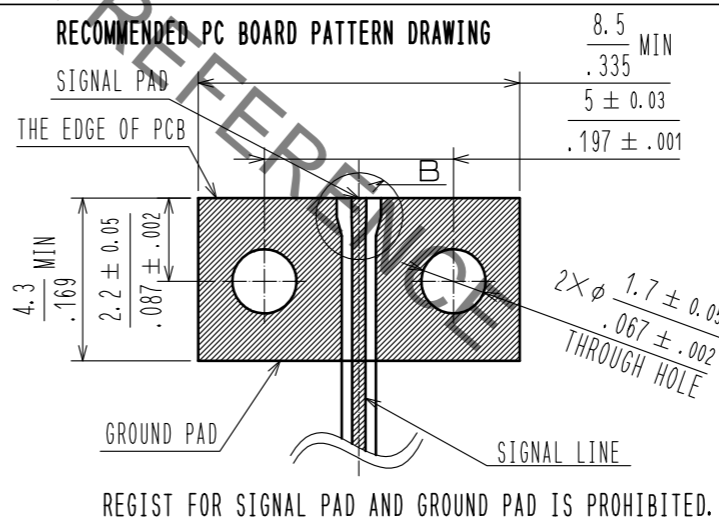
- NOTES
- 1 WHEN MATING THE CONNECTOR, PLEASE HOLD MILLING AREA OF 6.4 ± 0.2 WITH A WRENCH.
 - 2 0-80UNF-2B SCREW TIGHTENING TORQUE IS $0.09 \text{ N} \cdot \text{m}$. PLEASE TIGHTEN THE SCREWS EVENLY WHEN MOUNTING THE CONNECTORS TO ENSURE STABLE ELECTRICAL CONTACT.
 - 3 PLEASE USE A PCB MOUNTING SCREW OF THE LENGTH OF L(mm). THE LENGTH OF L(mm) IS PCB THICKNESS $t_1(\text{mm})$ + SPRING WASHER THICKNESS $t_2(\text{mm})$ + $1.8(\text{mm})$. PLEASE USE A SCREW WITH SPRING WASHER.
 - 4 THE INDICATED DIMENSION IS THE CASE OF WHICH DIELECTRIC CONSTANT OF SUBSTRATE IS 3.35 AND THICKNESS IS $t=0.2\text{mm}$. LAND PATTERN LAYOUT DEPENDS ALSO ON ELECTRIC CONSTANT, THICKNESS AND LAYER CONSTRUCTION OF PCB. FOR BETTER PERFORMANCE, SIMULATION OF PCB WITH CONNECTOR IS RECOMMENDED.
 - 5 RECOMMENDED PCB THICKNESS t_1 IS GREATER THAN 1.0mm .
 - 6 SIDE PLATING OF THE BOARD IS RECOMMENDED.
 - 7 THIS CONNECTOR SHOULD BE USE FOR TEST PORT ONLY.

MOUNTING OF CONNECTOR

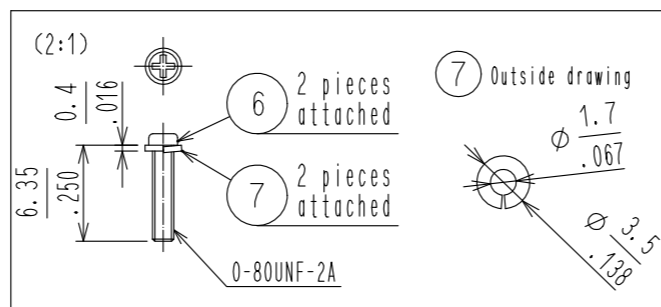
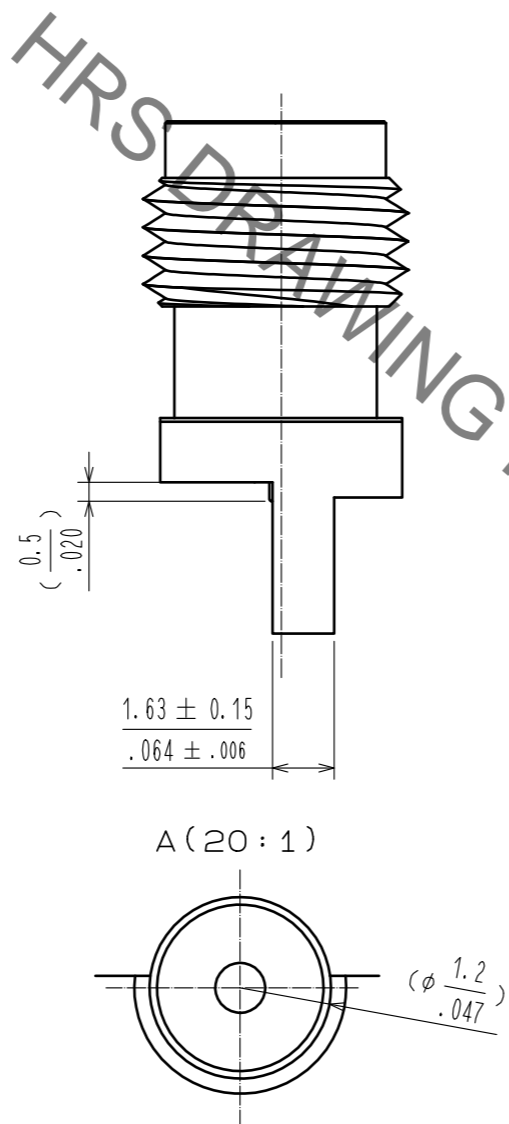
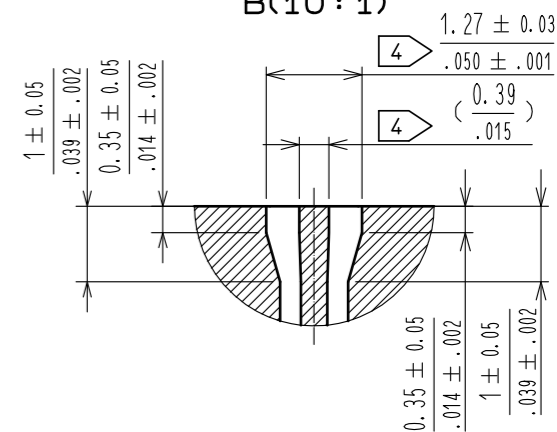
- (1) WHEN THE CONNECTOR IS MOUNTED ON PCB, PLEASE DO NOT ALLOW A GAP BETWEEN THE EDGE OF PCB AND CONNECTOR.
- (2) PLEASE MOUNT THE CONNECTOR AS LOCATED IN THE MIDDLE OF THE SIGNAL PAD OF PCB.
- (3) SOLDERING CONDITIONS:(OPTIONAL:IT'S POSSIBLE TO USE WITHOUT SOLDERING)
FOR THE MANUAL SOLDERING, SOLDERING IRON BIT TEMPERATURE IS 380°C MAX. FOR 5 SECONDS MAX.



RECOMMENDED PC BOARD PATTERN DRAWING



(DRAWING CHANGED)
B(10:1)



3	BERYLLIUM COPPER	GOLD PLATING	7	STAINLESS STEEL	Spring washer
2	STAINLESS STEEL	PASSIVATE	6	STEEL	0-80UNF-2A Screw
1	BRASS	NICKEL PLATING	5	POLYETHER IMIDE	
			4	POLYETHER IMIDE	
NO.	MATERIAL	FINISH . REMARKS	NO.	MATERIAL	FINISH . REMARKS
UNITS [mm/in]		SCALE 5:1	COUNT 1	DESCRIPTION OF REVISIONS	
				DESIGNED DS. YAMAKOSHI	CHECKED NK. NINOMIYA
				DATE 18.06.19	
APPROVED : KH. IKEDA 17.01.23			DRAWING NO. EDC-368795-11-01		
CHECKED : TS. NOBE 17.01.20			PART NO. H2.4-LR-SR2(11)		
DESIGNED : TP. MATSUMOTO 17.01.20			CODE NO. CL338-0603-0-11		
DRAWN : TP. MATSUMOTO 17.01.20			1/1		