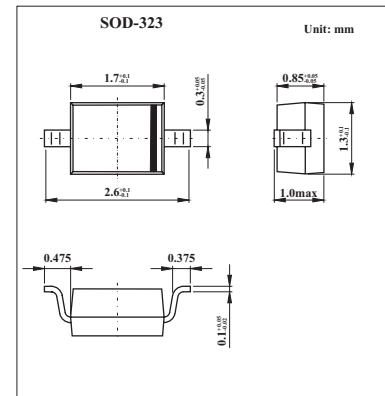


Silicon Epitaxial Planar Diode

1SV313

■ Features

- High Capacitance Ratio: $C_{0.5V}/C_{0.25V}=2.1$ (Typ.)
- Low Series Resistance: $r_s=0.35\ \Omega$ (Typ.)
- Useful for Small Size Tuner

■ Absolute Maximum Ratings $T_a = 25^\circ\text{C}$

| Parameter | Symbol | Value | Unit |
|---------------------------|-----------|-------------|------------------|
| Reverse Voltage | V_R | 10 | V |
| Junction Temperature | T_j | 125 | $^\circ\text{C}$ |
| Storage Temperature Range | T_{stg} | -55 to +125 | $^\circ\text{C}$ |

■ Electrical Characteristics $T_a = 25^\circ\text{C}$

| Parameter | Symbol | Conditions | Min | Typ | Max | Unit |
|-------------------|----------------------|---|------|------|-----|----------|
| Reverse Voltage | V_R | $I_R = 1\ \mu\text{A}$ | 10 | | | V |
| Reverse Current | I_R | $V_R = 10\ \text{V}$ | | | 3 | nA |
| Capacitance | $C_{0.5V}$ | $f = 1\ \text{MHz}; V_R = 0.5\ \text{V}$ | 7.3 | | 8.4 | pF |
| | $C_{0.25V}$ | $f = 1\ \text{MHz}; V_R = 0.25\ \text{V}$ | 2.75 | | 3.4 | |
| Capacitance Ratio | $C_{0.5V}/C_{0.25V}$ | | 2.4 | 2.5 | | |
| Series Resistance | r_s | $V_R = 1\ \text{V}, f = 470\ \text{MHz}$ | | 0.35 | | Ω |

■ Marking

| | |
|---------|----|
| Marking | V6 |
|---------|----|