



SANYO Semiconductors

DATA SHEET

LV5050NV — Bi-CMOS IC DC / DC Converter Controller

Overview

The LV5050NV is a high efficiency DC/DC converter controller IC adopting a synchronous rectifying system. Incorporating numerous functions on a single chip with easy external setting, it can be used for a wide variety of applications. This device is optimal for use in internal power supply systems which are used in electronic devices, LCD-TVs, DVD recorders, etc.

Functions

- Step-down DC/DC converter controller with 1-channel
- Input UVLO circuit,
- Built-in over current detection function
- Built-in soft-start/soft-stop function
- Built-in start-up delay circuit
- Built-in output voltage monitor function (Under voltage protection with power good and timer latch)
- Synchronized operation is possible between different devices.

Specifications

Absolute Maximum Ratings at Ta = 25°C

Parameter	Symbol	Conditions	Ratings	Unit
Supply voltage	V _{IN}		18	V
Allowable power dissipation	Pd max	*	800	mW
Junction temperature	T _J		150	°C
Operating temperature	T _{opr}		-20 to 85	°C
Storage temperature	T _{stg}		-55 to +150	°C

*: Mounted on a specified: 114.3mm × 76.1mm × 1.6 mm, glass epoxy board.

Continued on next page.

■ Any and all SANYO Semiconductor Co.,Ltd. products described or contained herein are, with regard to "standard application", intended for the use as general electronics equipment (home appliances, AV equipment, communication device, office equipment, industrial equipment etc.). The products mentioned herein shall not be intended for use for any "special application" (medical equipment whose purpose is to sustain life, aerospace instrument, nuclear control device, burning appliances, transportation machine, traffic signal system, safety equipment etc.) that shall require extremely high level of reliability and can directly threaten human lives in case of failure or malfunction of the product or may cause harm to human bodies, nor shall they grant any guarantee thereof. If you should intend to use our products for applications outside the standard applications of our customer who is considering such use and/or outside the scope of our intended standard applications, please consult with us prior to the intended use. If there is no consultation or inquiry before the intended use, our customer shall be solely responsible for the use.

■ Specifications of any and all SANYO Semiconductor Co.,Ltd. products described or contained herein stipulate the performance, characteristics, and functions of the described products in the independent state, and are not guarantees of the performance, characteristics, and functions of the described products as mounted in the customer's products or equipment. To verify symptoms and states that cannot be evaluated in an independent device, the customer should always evaluate and test devices mounted in the customer's products or equipment.

SANYO Semiconductor Co., Ltd.

TOKYO OFFICE Tokyo Bldg., 1-10, 1 Chome, Ueno, Taito-ku, TOKYO, 110-8534 JAPAN

LV5050NV

Continued from preceding page.

Parameter	Symbol	Conditions	Ratings	Unit
Allowable terminal voltage *2				
1	HDRV,CBOOT		28	V
2	Between HDRV, CBOOT and SW		6.5	V
3	V _{IN} , ILIM, RSNS, SW, PGOOD		18	V
4	V _{LIN5} , V _{DD} , LDRV		6.5	V
5	COMP, FB, SS, UV_DELAY TD, CT, CLKO		V _{LIN5} +0.3	V

*2: The Allowable Terminal Voltage, the SGND+PGND pin becomes a standard except for No.2 of the allowable terminal voltage about No.2 of the allowable terminal voltage, the SW pin becomes a standard.

Recommended Operating Condition at T_a = 25°C

Parameter	Symbol	Conditions	Ratings	Unit
Supply voltage	V _{IN}	V _{IN} and V _{LIN5} pins opens	7.5 to 16	V
Supply voltage	V _{IN}	V _{IN} and V _{LIN5} pins shorted	4.5 to 6.0	V

Electrical Characteristics at T_a = 25°C, V_{IN}=12V, Unless especially specified

Parameter	Symbol	Conditions	Ratings			Unit
			min	typ	max	
System						
Reference voltage for comparing	V _{REF}		0.818	0.826	0.834	V
Supply current 1	I _{CC1}	TD=5V (Except for the Ciss charge)		2	4	mA
Supply current 2	I _{CC2}	TD=0V	0.3	0.6	1.2	mA
5V supply voltage	V _{LIN5}	I _{VIN5} =0 to 10mA	4.75	5.00	5.25	V
Over-current sense comparator offset	V _{CLOS}		-5		+5	mV
Over-current sense reference current source	I _{CL}	V _{IN} =10 to 14V	7.47	8.30	9.13	μA
Leading edge pulse blank time	TLEPB			120	150	
Soft start source current	I _{SSSC}	TD=5V	-2.0	-3.5	-5.0	μA
Soft start sink current	I _{SSSK}	TD=0V	0.5	2.0		mA
Soft start clamp voltage	V _{SST0}	When the voltage of the SS pin operating	1.2	1.6	2.0	V
UV_DELAY source current	I _{SCUVD}	UV_DELAY=2V	-6.1	-8.6	-12.0	μA
UV_DELAY sink current	I _{SKUVD}	UV_DELAY=2V	0.5	2		mA
UV_DELAY threshold voltage	V _{UVD}		1.9	2.4	3.0	V
UV_DELAY operating voltage	V _{UVP}	100% at V _{FB} =V _{REF}	87	92	97	%
V _{UVP} detection hysteresis	ΔV _{UVP}			1.5		%
Output discharge transistor ON resistance	V _{SWON}		5	10	20	Ω
Output part						
CBOOT leakage current	I _{CBOOT}	V _{CBOOT} =V _{SW} + 6.5V			10	μA
HDRV LDRV source current	I _{SCDRV}		0.5	1.0		A
HDRV LDRV sink current	I _{SKDRV}		0.5	1.0		A
HDRV lower ON resistance	R _{HDRV}	I _{OJT} =500mA	0.5	1.5	3.0	Ω
LDRV lower ON resistance	R _{LDRV}	I _{OJT} =500mA	0.5	1.5	3.0	Ω
Synchronous ON prevention dead time 1	T _{dead1}	LDRV OFF→HDRV ON	50	70	120	ns
Synchronous ON prevention dead time 2	T _{dead2}	HDRV OFF→LDRV ON	70	120	280	ns

Continued on next page.

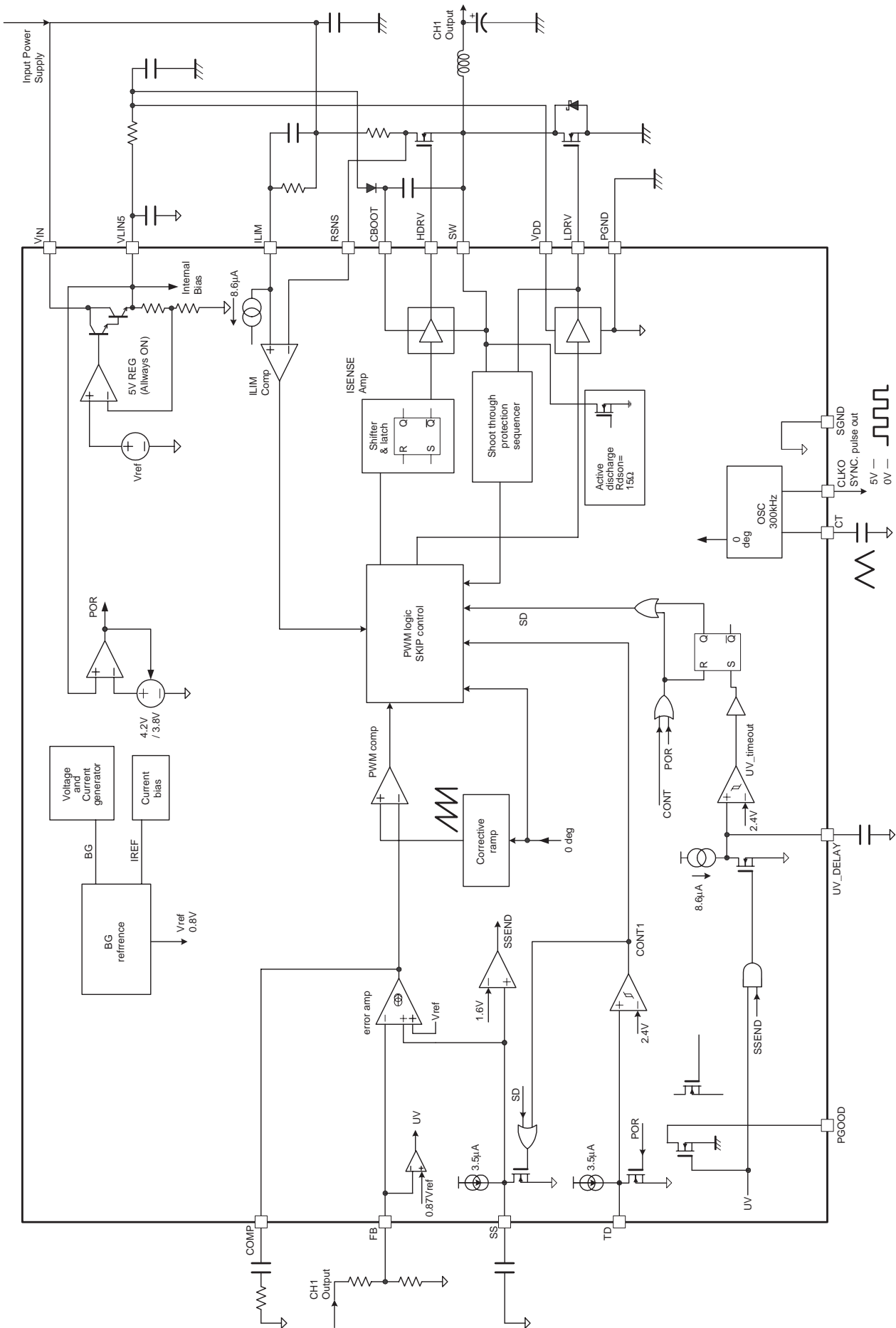
LV5050NV

Continued from preceding page.

Parameter	Symbol	Conditions	Ratings			Unit
			min	typ	max	
Oscillator						
Oscillation frequency	f_{osc}	CT=130pF	280	330	380	kHz
Oscillation frequency range	f_{oscOP}		250		1100	kHz
Maximum ON duty	D _{ON} max	CT=130pF	83	90	79	%
Minimum ON time	T _{ON} min	CT=130pF		100		ns
Upper-side voltage saw- tooth wave	V _{sawH}	f _{OSC} =300kHz	1.5	2	2.6	V
Lower-side voltage saw-tooth wave	V _{sawL}	f _{OSC} =300kHz	0.8	1	1.2	V
Error Amplifier						
Error amplifier input current	IFB		-190	-100	-50	nA
COMP pin source current	I _{COMPSC}		-150	-100	-50	μA
COMP pin sink current	I _{COMPsk}		18	100	150	μA
Error amplifier gm	gm		500	700	900	umho
Logic output						
Power Good low level source current	I _{pwrgdL}	V _{PGOOD} =0.4V	0.5	1.0		mA
Power Good high level leakage current	I _{pwrgdH}	V _{PGOOD} =12V			10	μA
Power Good operation voltage	V _{pwrgd}	100% at V _{FB} =V _{REF}	87	92	97	%
TP pin threshold voltage	V _{ONTD}	When the voltage of the TD pin rises	1.5	2.4	3.5	V
TP pin high impedance voltage	V _{TDH}	When V _{IN} and VLIN5 pins are set to open	4.5	5.0	5.5	V
TD pin charge source current	I _{TDSC}		-2.0	-3.5	-5.0	μA
TD pin discharge sink current	I _{TDsk}		0.2	1.0		mA
CLKO high level voltage	V _{CLKOH}	I _{CLK} 10=1mA	0.7V5LIN			V
CLKO low level voltage	V _{CLKOL}	I _{CLK} 10=1mA			0.3V5LIN	V
Protection function						
V _{IN} UVLO release voltage	V _{UVLO}		3.5	4.1	4.3	mA
UVLO Hysteresis	ΔV _{UVLO}			0.4		μA
UVLO released input voltage	V _{INUVLO}		4.8	5.5	6.3	

LV5050NV

Block Diagram



LV5050NV

Pin Functions

Pin No.	Pin name	Description
1	SW	This Pin is connected with the switching node. A source of an external upper side MOSFET and a drain of an external lower side MOSFET are connected with this pin. This pin becomes the return current path of the HDRV pin. This pin is connected with a transistor drain of the discharge MOSFET for SOFT STOP in the IC (typical 15Ω). Also, this pin has the signal output part for the short through prevention of both the upper and lower MOSFETs. When this terminal voltage becomes 1V or less for PGND, the LDRV pin is turned on.
2	HDRV	The gate drive pin for an external upper side MOSFET.
3	CBOOT	The bootstrap capacity connection pin. The gate drive power of upper MOSFET is provided by this pin. This pin is connected to the V _{DD} pin through a diode and is connected to the SW pin through the bootstrap capacity.
4	VLIN5	The output pin of an internal regulator of 5V. the current is provided by the VIN pin. Also, power supply of the control circuit in the IC is provided by this pin. Connect an output capacitor of 4.7μF between this pin and SGND. A regulator of 5V operates, even if the IC is in the standby state. This pin is monitored by an UVLO function and the IC starts by the voltage of 4.0V or more (the IC is off by the voltage of 3.8V or less.)
5	RSNS	The input pin of the over current detection comparator / the current detection amplifier To detect resistance, this pin is connected to the under side of a resistor for the current detection between the V _{IN} pin and the DRAIN of the upper MOSFET. Also, to use the ON resistance of MOSFET for the current detection, connect this pin to the SOURCE of the upper MOSFET. To prevent the common impedance of main current to the detection-voltage, this pin is connected by independent wiring.
6	NC	No connection.
7	ILIM	The pin to set the trip point for over current detection. Since the SINK current source of 8.3μA (ILIM) is connected in the IC, the over-current detection voltage (ILIM × RLIM) is generated by connecting a resistor RLIM between this pin and the V _{IN} pin. The over-current is detected by comparing the voltage between the V _{IN} pin and the ILIM pin to the current detection resistance RSNS or both end voltage of the upper MOSFET.
8	TD	Start-up delay pin. The time until the IC starts after releasing POR is set by connecting a capacitor between this pin and SGND. After releasing POR, an external capacitor is charged up by the constant current source of 3.5μA in the IC. When this terminal voltage becomes 2.4V or more, The IC starts. Also, when this terminal voltage becomes 2.4V or less, The IC becomes the standby state. If external capacitor is not connected, the IC instantly starts after releasing POR.
9	SS	The pin to connect a capacitor for soft start. After releasing POR, when the voltage of the TD pin becomes 2.4V or more, the SS pin is charged by an internal constant current source of 3.5μA. Since this pin is connected to the positive input of the transformer conductance amplifier, the ramp-up wave form of the SS pin becomes the ramp-up wave form of the output. During POR operations and after the UV_DELAY time-out, the SS pin is discharged
10	VIN	Power supply pin of the IC
11	CLKO	The clock output pin. The clock that synchronized to the oscillation waveform of the CT pin is output. To synchronize two or more LV5050NVs, the CLKO pin of the device that becomes a master is connected to the CT pin of the device that becomes a slave. When two or more the devices are synchronized and the start-up timing is changed by using the Td pin between each device, the earliest start-up device is determined as the master.
12	CT	The pin to connect an external capacitor for the oscillator. Connect a capacitor between this pin and SGND. When a capacitor of 130pF is connected between this pin and GND, the oscillation frequency can be set up by 330kHz. Also, this pin is applied by an external clock signal. The PWM operation is performed by the frequency of applied clock signal. When an external clock signal is applied, the rectangular wave of 0V in low level and from 3.3V to 5V in high level is applied. The rectangular wave source needs the fan-out of 1mA or more.
13	PGOOD	The power good pin. The open drain MOSFET of the withstand of 28V is connected in the IC. When the output voltage of channel 1 is less than -13% for the setup voltage, the low level is output. This pin has hysteresis of about (V _{REF} × 1.5%).

Continued on next page.

LV5050NV

Continued from preceding page.

Pin No.	Pin name	Description
14	UV_DELAY	<p>UVP DELAY pin</p> <p>By connecting a capacitor between this pin and SGND, the time until the IC latches off after detecting the UVP state can be set. Also, after channel 1 terminated the soft-start function, when the output voltage becomes -80% or less for the setup voltage, an external capacitor is charged by the constant current source of 8.6μA in the IC.</p> <p>When this terminal voltage becomes 2.4V or more, the IC is latched off.</p> <p>If an external capacitor is not connected, the IC is instantly latched off after detecting the UVP state.</p> <p>Also, when this pin is shorted to GND, the UV_DELAY function is not operated.</p>
15	FB	<p>Feed back input pin. The minus terminal (-) of the trans conductance amplifier is connected.</p> <p>The voltage generated when the output voltage was divided by a resistor is input into this pin.</p> <p>The converter operates so that this pin becomes an internal reference voltage ($V_{REF}=0.836V$).</p> <p>Also, this pin is monitored by the comparators UVP and OVP.</p> <p>When the voltage of this pin becomes less than 87% of the set voltage, the PGOOD pin is low level.</p> <p>A timer of the UV_DELAY function operates. Also, when the voltage of this pin becomes more than 117% of the set voltage, the IC latches off.</p>
16	COMP	<p>The pin to connect a capacitor and a resistor for phase compensation.</p> <p>The output of an internal transformer conductance amplifier is connected.</p> <p>Connect an external phase compensation circuit between this pin and SGND.</p>
17	SGND	<p>The system ground of the IC. The reference voltage is generated based on this pin.</p> <p>This pin is connected to the power supply system ground.</p>
18	V _{DD}	<p>Power supply pin for the gate drive of an external lower-side MOSFET.</p> <p>This pin is connected to the VLIN5 pin through a filter.</p>
19	LDRV	<p>The gate drive pin of an external lower-side MOSFET.</p> <p>This pin has the signal input part for prevention of short-through of both the upper and lower MOSFETs.</p> <p>When the voltage of this pin becomes less than 1V, the HDRV pin is turned on.</p>
20	PGND	<p>Power ground pin. This pin becomes the return current path of the LDRV pin.</p>

- SANYO Semiconductor Co.,Ltd. assumes no responsibility for equipment failures that result from using products at values that exceed, even momentarily, rated values (such as maximum ratings, operating condition ranges, or other parameters) listed in products specifications of any and all SANYO Semiconductor Co.,Ltd. products described or contained herein.
- SANYO Semiconductor Co.,Ltd. strives to supply high-quality high-reliability products, however, any and all semiconductor products fail or malfunction with some probability. It is possible that these probabilistic failures or malfunction could give rise to accidents or events that could endanger human lives, trouble that could give rise to smoke or fire, or accidents that could cause damage to other property. When designing equipment, adopt safety measures so that these kinds of accidents or events cannot occur. Such measures include but are not limited to protective circuits and error prevention circuits for safe design, redundant design, and structural design.
- In the event that any or all SANYO Semiconductor Co.,Ltd. products described or contained herein are controlled under any of applicable local export control laws and regulations, such products may require the export license from the authorities concerned in accordance with the above law.
- No part of this publication may be reproduced or transmitted in any form or by any means, electronic or mechanical, including photocopying and recording, or any information storage or retrieval system, or otherwise, without the prior written consent of SANYO Semiconductor Co.,Ltd.
- Any and all information described or contained herein are subject to change without notice due to product/technology improvement, etc. When designing equipment, refer to the "Delivery Specification" for the SANYO Semiconductor Co.,Ltd. product that you intend to use.
- Information (including circuit diagrams and circuit parameters) herein is for example only; it is not guaranteed for volume production.
- Upon using the technical information or products described herein, neither warranty nor license shall be granted with regard to intellectual property rights or any other rights of SANYO Semiconductor Co.,Ltd. or any third party. SANYO Semiconductor Co.,Ltd. shall not be liable for any claim or suits with regard to a third party's intellectual property rights which has resulted from the use of the technical information and products mentioned above.

This catalog provides information as of April, 2008. Specifications and information herein are subject to change without notice.