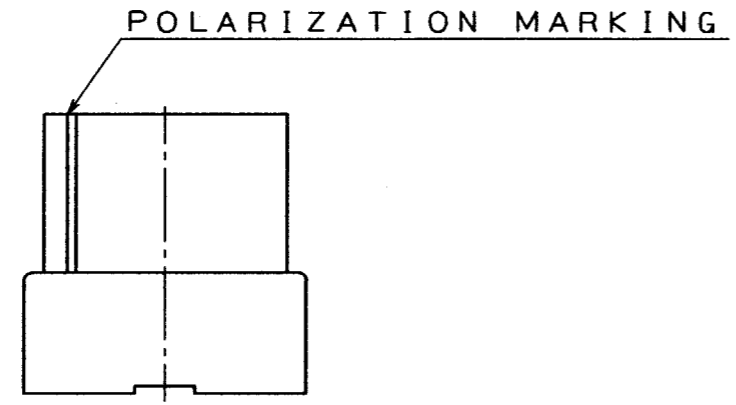
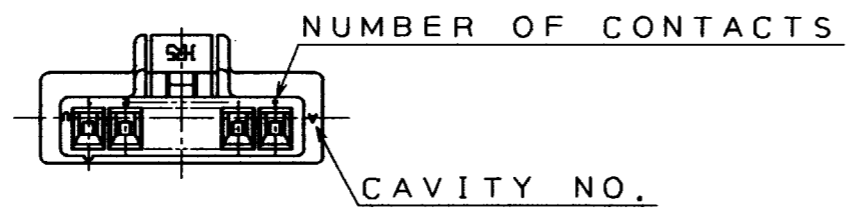
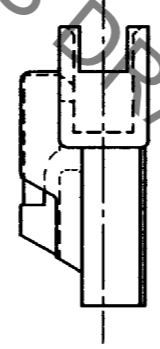
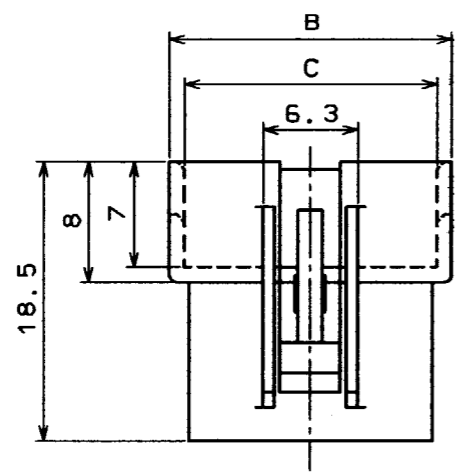
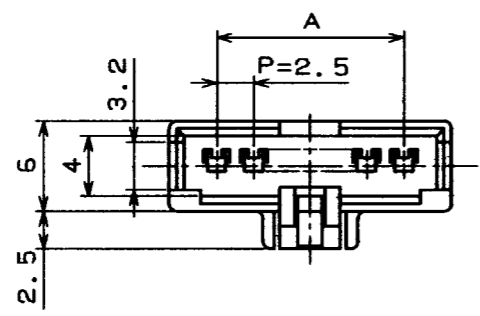


Jul.1.2022 Copyright 2022 HIROSE ELECTRIC CO., LTD. All Rights Reserved.  
 In case of consideration for using Automotive equipment / device which demand high-reliability, kindly contact our sales window correspondents.

COUNT	DESCRIPTION OF REVISIONS	BY	CHKD	DATE	COUNT	DESCRIPTION OF REVISIONS	BY	CHKD	DATE
△				..	△				..
△				..	△				..
△				..	△				..



HRS DRAWING FOR PREVIEW ONLY

UNIT: (mm)

HRS NO.	PART NO.	A	B	C
CL541-0332-7	DF1B- 2EP-2.5RC	2.5	8.9	6.7
CL541-0333-0	DF1B- 3EP-2.5RC	5.0	11.4	9.2
CL541-0334-2	DF1B- 4EP-2.5RC	7.5	13.9	11.7
CL541-0335-5	DF1B- 5EP-2.5RC	10.0	16.4	14.2
CL541-0336-8	DF1B- 6EP-2.5RC	12.5	18.9	16.7
CL541-0337-0	DF1B- 7EP-2.5RC	15.0	21.4	19.2
CL541-0338-3	DF1B- 8EP-2.5RC	17.5	23.9	21.7
CL541-0339-6	DF1B- 9EP-2.5RC	20.0	26.4	24.2
CL541-0340-5	DF1B-10EP-2.5RC	22.5	28.9	26.7
CL541-0341-8	DF1B-11EP-2.5RC	25.0	31.4	29.2
CL541-0342-0	DF1B-12EP-2.5RC	27.5	33.9	31.7
CL541-0343-3	DF1B-13EP-2.5RC	30.0	36.4	34.2

TO

NO. 1		MATERIAL POLYAMIDE		FINISH, REMARKS NATURAL(WHITE) UL94V-0		
CODE NO. (OLD)		DRAWN	DESIGNED	CHECKED	APPROVED	RELEASED
		<i>M. Gotoh</i>	<i>M. Gotoh</i>	<i>J. Oma</i>	<i>H. Yamamoto</i>	
		'94. 3. 24	'94. 3. 24	'94. 3. 25	'94. 3. 25	
DRAWING NO. EDC3-160055-01		PART NO. DF1B-*EP-2.5RC				
SCALE 2:1		UNITS mm		CODE NO. 0332 7		
HRS HIROSE ELECTRIC CO., LTD.		CL541-0343-3		1/1		

