

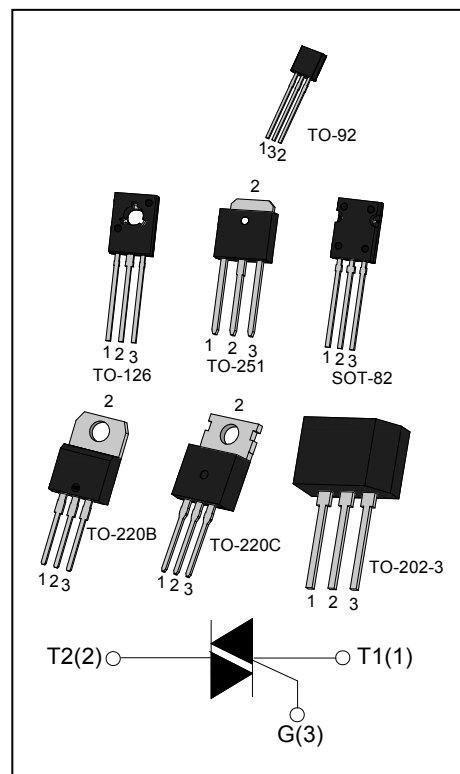


### DESCRIPTION:

JST134 series triacs with low holding and latching current are especially recommended for use on middle and small resistance type power load. All the packages mentioned are RoHS compliant. (2011/65/EU)

### MAIN FEATURES

Symbol	Value	Unit
$I_{T(RMS)}$	4	A
$V_{DRM}/V_{RRM}$	600/800	V



### ABSOLUTE MAXIMUM RATINGS

Parameter		Symbol	Value	Unit
Storage junction temperature range		$T_{stg}$	-40 - 150	°C
Operating junction temperature range		$T_j$	-40 - 125	°C
Repetitive peak off-state voltage( $T_j=25^\circ\text{C}$ )		$V_{DRM}$	600/800	V
Repetitive peak reverse voltage( $T_j=25^\circ\text{C}$ )		$V_{RRM}$	600/800	V
Non repetitive surge peak Off-state voltage		$V_{DSM}$	$V_{DRM} + 100$	V
Non repetitive peak reverse voltage		$V_{RSM}$	$V_{RRM} + 100$	V
RMS on-state current	TO-251 ( $T_c=100^\circ\text{C}$ )	$I_{T(RMS)}$	4	A
	TO-220B(Non-Ins)/ TO-220C( $T_c=103^\circ\text{C}$ )			
	TO-202-3 ( $T_c=95^\circ\text{C}$ )			
	SOT-82 /TO-126 ( $T_c=97^\circ\text{C}$ )			
	TO-92 ( $T_c=50^\circ\text{C}$ )			

Non repetitive surge peak on-state current (full cycle, F=50Hz)	$I_{TSM}$	25	A
$I^2t$ value for fusing ( $t_p = 10ms$ )	$I^2t$	3.1	$A^2s$
Critical rate of rise of on-state current ( $I_G = 2 \times I_{GT}$ )	I - II - III	50	$A/\mu s$
	IV	10	
Peak gate current	$I_{GM}$	2	A
Average gate power dissipation	$P_{G(AV)}$	0.5	W
Peak gate power	$P_{GM}$	5	W

**ELECTRICAL CHARACTERISTICS** ( $T_j = 25^\circ C$  unless otherwise specified)

Symbol	Test Condition	Quadrant		Value			Unit
				T	D	E	
$I_{GT}$	$V_D = 12V$ $R_L = 33\Omega$	I - II - III	MAX	5	5	10	mA
		IV		5	10	25	
$V_{GT}$		ALL	MAX	1.3			V
$V_{GD}$	$V_D = V_{DRM}$ $T_j = 125^\circ C$ $R_L = 3.3K\Omega$	ALL	MIN	0.2			V
$I_L$	$I_G = 1.2I_{GT}$	I - III - IV	MAX	8	10	20	mA
		II		12	15	35	
$I_H$	$I_T = 100mA$		MAX	5	10	20	mA
$dV/dt$	$V_D = 2/3V_{DRM}$ Gate Open $T_j = 125^\circ C$		MIN	20	50	100	$V/\mu s$
$(dV/dt)_c$	$(dI/dt)_c = 1.1A/ms$ $T_j = 125^\circ C$		MIN	0.5	1	5	$V/\mu s$

**STATIC CHARACTERISTICS**

Symbol	Parameter		Value(MAX)	Unit
$V_{TM}$	$I_{TM} = 5A$ $t_p = 380\mu s$	$T_j = 25^\circ C$	1.7	V
$I_{DRM}$	$V_D = V_{DRM}$ $V_R = V_{RRM}$	$T_j = 25^\circ C$	5	$\mu A$
$I_{RRM}$		$T_j = 125^\circ C$	0.5	mA

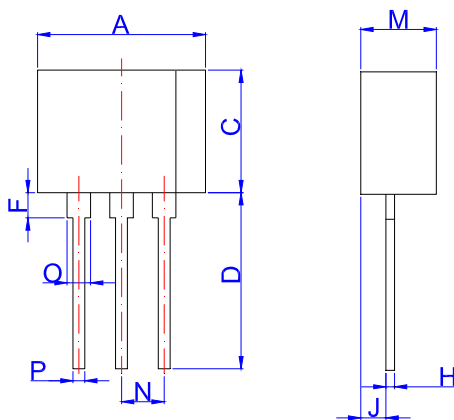
THERMAL RESISTANCES

Symbol	Parameter	Value	Unit	
$R_{th(j-c)}$	junction to case(AC)	TO-251	3.7	°C/W
		TO-220B(Non-Ins)/ TO-220C	3.1	
		TO-202-3	4.5	
		SOT-82/TO-126	4.1	
		TO-92	11.2	

ORDERING INFORMATION

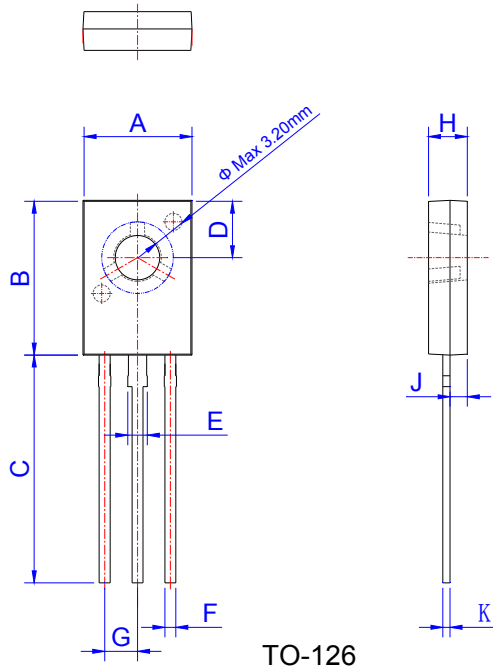
JieJie Microelectronics Co.,Ltd TRIACs $I_{T(RMS)}:4A$	<b>J</b> <b>ST</b> <b>134</b> <b>B</b> <b>-600</b> <b>D</b>	T: $I_{GT1-3} \leq 5mA$ $I_{GT4} \leq 5mA$ D: $I_{GT1-3} \leq 5mA$ $I_{GT4} \leq 10mA$ E: $I_{GT1-3} \leq 10mA$ $I_{GT4} \leq 25mA$ 600: $V_{DRM} / V_{RRM} \geq 600V$ 800: $V_{DRM} / V_{RRM} \geq 800V$ C:TO-220C S3:TO-202-3 B:TO-220B(Non-Ins) U:TO-92 QP:SOT-82 Q:TO-126 H:TO-251
--	--	---

PACKAGE MECHANICAL DATA

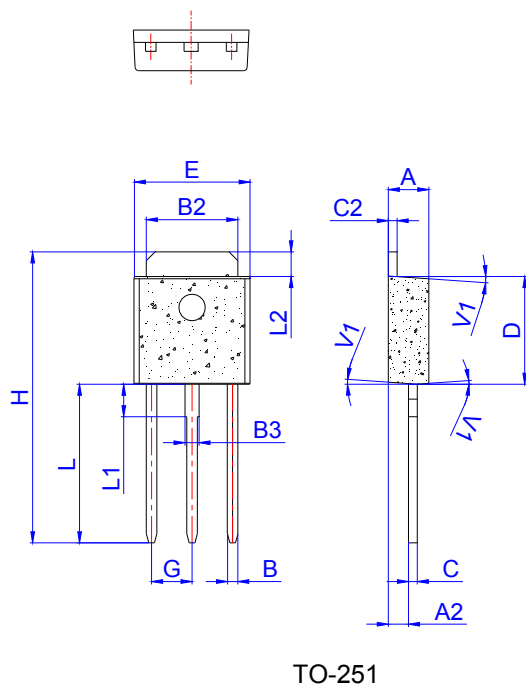


Ref.	Dimensions					
	Millimeters			Inches		
	Min.	Typ.	Max.	Min.	Typ.	Max.
A	9.30		9.90	0.366		0.390
C	7.0		7.6	0.276		0.299
D	10.5		11.5	0.413		0.453
F	1.50		2.50	0.059		0.098
H	0.45		0.55	0.018		0.022
J	1.50		1.90	0.059		0.075
M	4.40		4.70	0.173		0.185
N		2.54			0.100	
O	1.20		1.50	0.047		0.059
P	0.60		0.80	0.024		0.031

PACKAGE MECHANICAL DATA

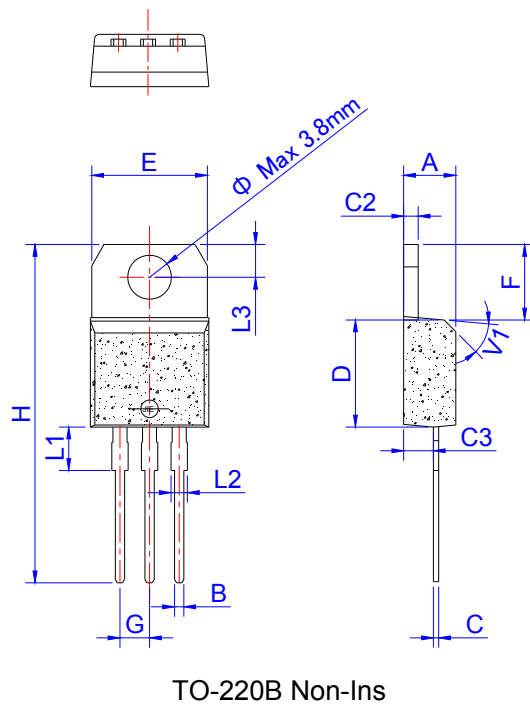


Ref.	Dimensions					
	Millimeters			Inches		
	Min.	Typ.	Max.	Min.	Typ.	Max.
A	7.40		7.80	0.291		0.307
B	10.6		11.2	0.417		0.441
C	15.3		16.3	0.602		0.642
D	3.90		4.10	0.154		0.161
E	1.17		1.47	0.046		0.058
F	0.66		0.86	0.026		0.034
G		2.29			0.090	
H	2.50		2.90	0.098		0.114
J	1.10		1.50	0.043		0.059
K	0.45		0.60	0.018		0.024

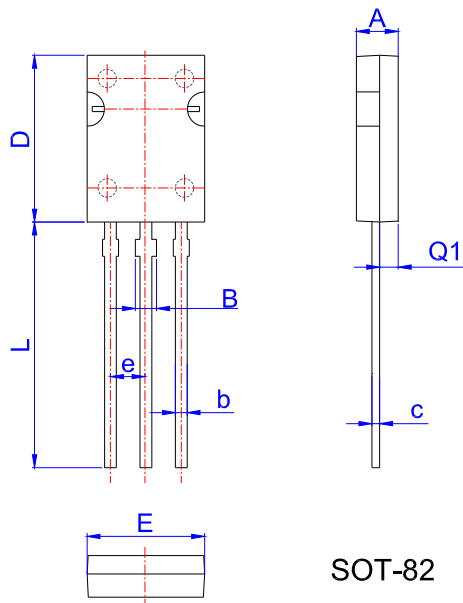


Ref.	Dimensions					
	Millimeters			Inches		
	Min.	Typ.	Max.	Min.	Typ.	Max.
A	2.20		2.40	0.086		0.095
A2	0.90		1.20	0.035		0.047
B	0.55		0.65	0.022		0.026
B2	5.10		5.40	0.200		0.213
B3	0.76		0.85	0.030		0.033
C	0.45		0.62	0.018		0.024
C2	0.48		0.62	0.019		0.024
D	6.00		6.20	0.236		0.244
E	6.40		6.70	0.252		0.264
G		2.30			0.091	
H	16.0		17.0	0.630		0.669
L	8.90		9.40	0.350		0.370
L1	1.80		1.90	0.071		0.075
L2	1.37		1.50	0.054		0.059
V1		4°			4°	

PACKAGE MECHANICAL DATA

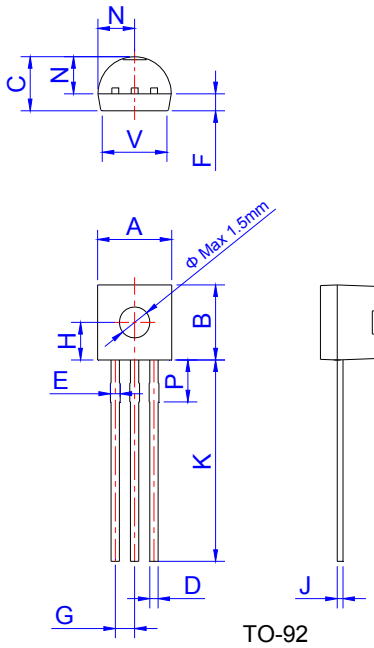


Ref.	Dimensions					
	Millimeters			Inches		
	Min.	Typ.	Max.	Min.	Typ.	Max.
A	4.40		4.60	0.173		0.181
B	0.61		0.88	0.024		0.035
C	0.46		0.70	0.018		0.028
C2	1.21		1.32	0.048		0.052
C3	2.40		2.72	0.094		0.107
D	8.60		9.70	0.339		0.382
E	9.60		10.4	0.378		0.409
F	6.20		6.60	0.244		0.260
G		2.54			0.1	
H	28.0		29.8	1.102		1.173
L1		3.75			0.148	
L2	1.14		1.70	0.045		0.067
L3	2.65		2.95	0.104		0.116
V1		45°			45°	

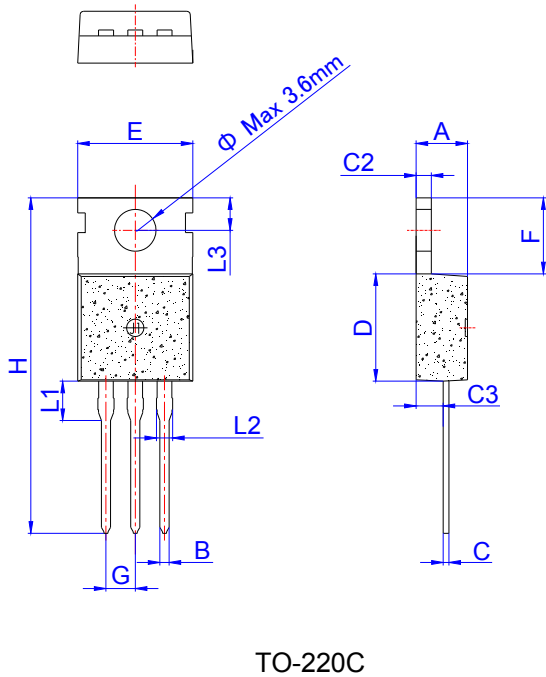


Ref.	Dimensions					
	Millimeters			Inches		
	Min.	Typ.	Max.	Min.	Typ.	Max.
A	2.45	2.55	2.65	0.096	0.100	0.104
b	0.71	0.76	0.81	0.028	0.030	0.032
B	1.27	1.37	1.45	0.050	0.054	0.057
c	0.48	0.50	0.52	0.019	0.020	0.021
D	10.60	10.80	11.00	0.417	0.425	0.433
E	7.30		7.70	0.287		0.303
e	2.24	2.29	2.34	0.088	0.090	0.092
L	15.30	15.60	15.90	0.602	0.614	0.626
Q1	1.17	1.27	1.37	0.046	0.050	0.054

PACKAGE MECHANICAL DATA

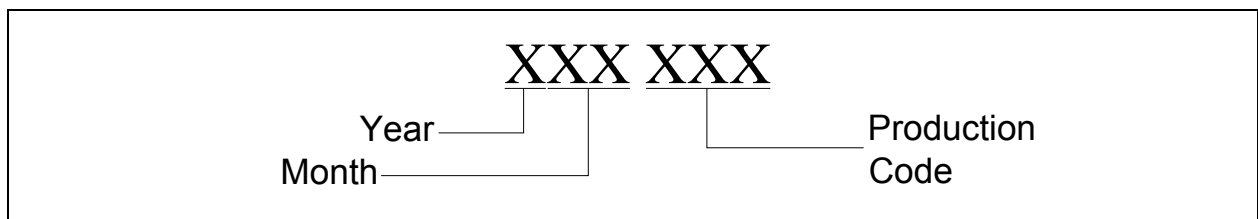
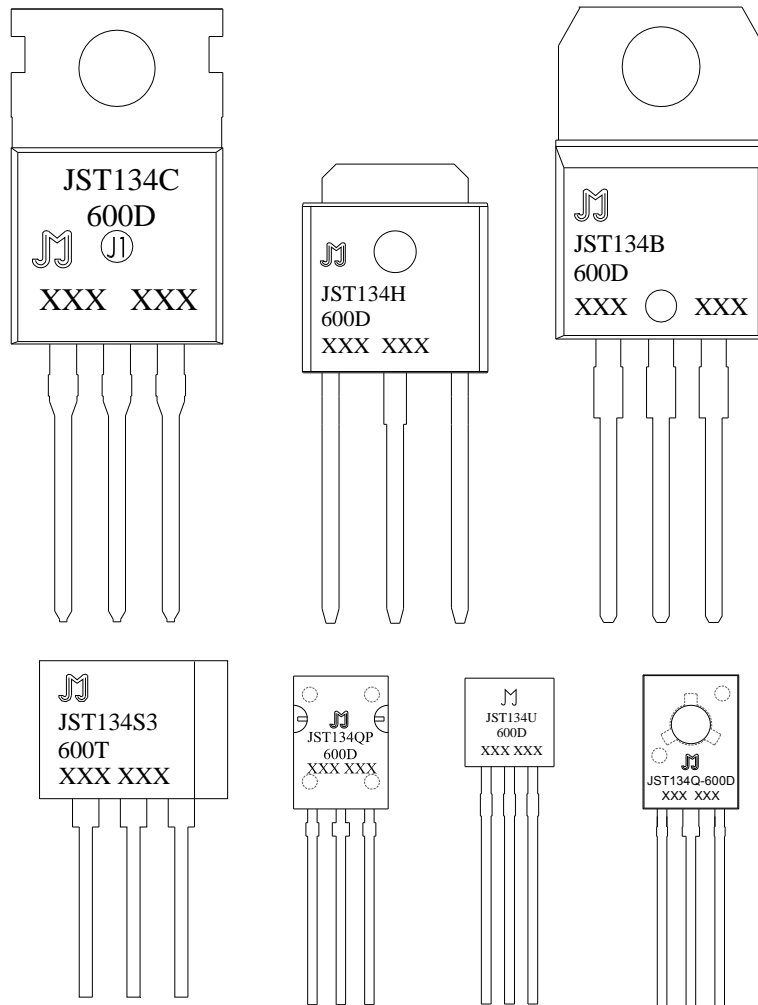


Ref.	Dimensions					
	Millimeters			Inches		
	Min.	Typ.	Max.	Min.	Typ.	Max.
A	4.45		5.20	0.175		0.205
B	4.32		5.33	0.170		0.210
C	3.18		4.19	0.125		0.165
D	0.407		0.533	0.016		0.021
E	0.50		0.70	0.020		0.028
F	-	1.1	-	-	0.043	-
G	-	1.27	-	-	0.050	-
H	-	2.30	-	-	0.091	-
J	0.36		0.50	0.014		0.020
K	12.70		15.0	0.500		0.591
N	2.04		2.66	0.080		0.105
P	1.86		2.06	0.073		0.081
V	-		4.3	-		0.169

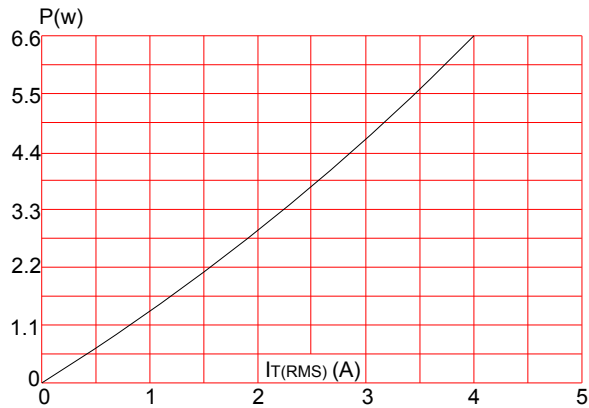


Ref.	Dimensions					
	Millimeters			Inches		
	Min.	Typ.	Max.	Min.	Typ.	Max.
A	4.40		4.60	0.173		0.181
B	0.70		0.90	0.028		0.035
C	0.45		0.60	0.018		0.024
C2	1.23		1.32	0.048		0.052
C3	2.20		2.60	0.087		0.102
D	8.90		9.90	0.350		0.390
E	9.90		10.3	0.390		0.406
F	6.30		6.90	0.248		0.272
G		2.54			0.1	
H	28.0		29.8	1.102		1.173
L1		3.39			0.133	
L2	1.14		1.70	0.045		0.067
L3	2.65		2.95	0.104		0.116
Φ		3.6			0.142	

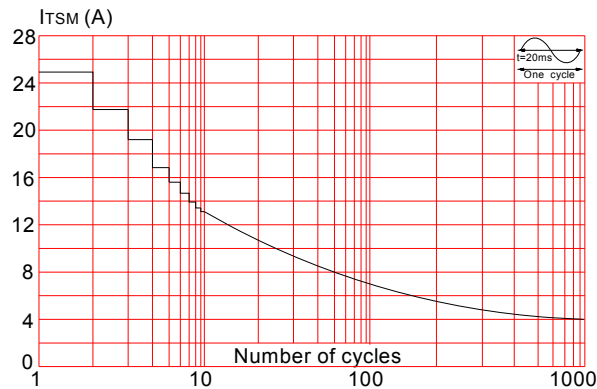
MARKING



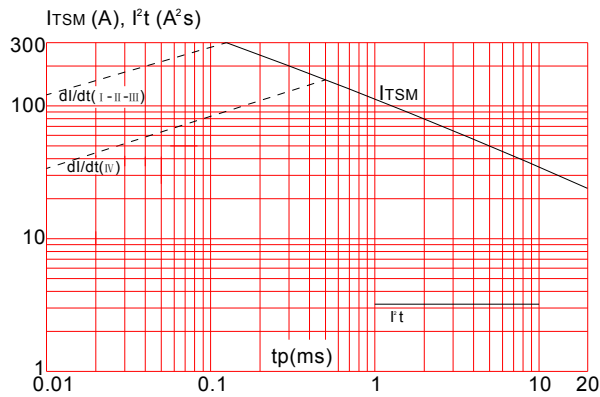
**FIG.1:** Maximum power dissipation versus RMS on-state current



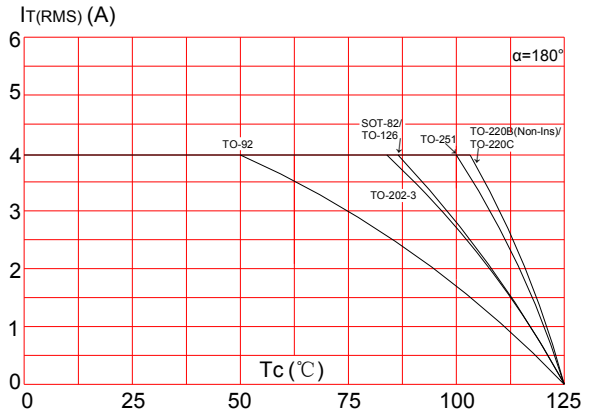
**FIG.3:** Surge peak on-state current versus number of cycles



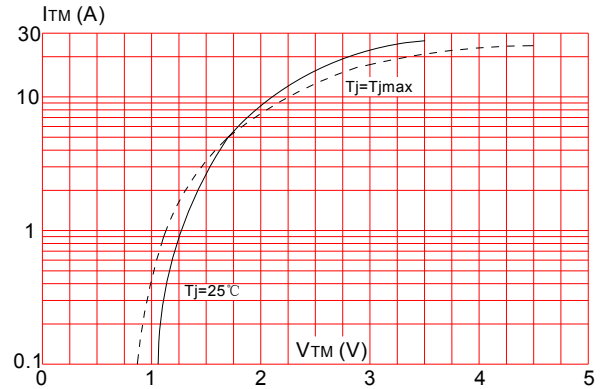
**FIG.5:** Non-repetitive surge peak on-state current for a sinusoidal pulse with width  $t_p < 20\text{ms}$  and corresponding value of  $I^2t$  ( I - II -III:  $dI/dt < 50\text{A}/\mu\text{s}$ ; IV:  $dI/dt < 10\text{A}/\mu\text{s}$ )



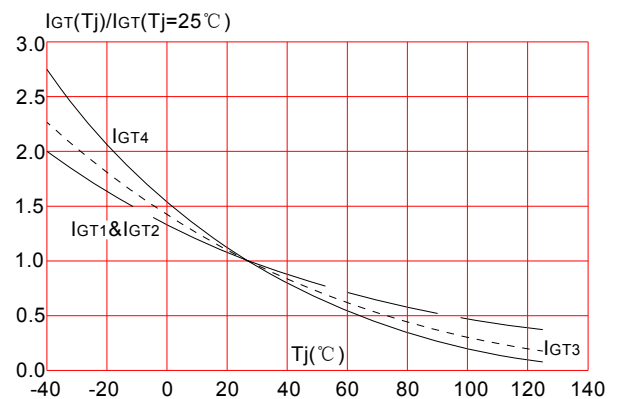
**FIG.2:** RMS on-state current versus case temperature



**FIG.4:** On-state characteristics (maximum values)

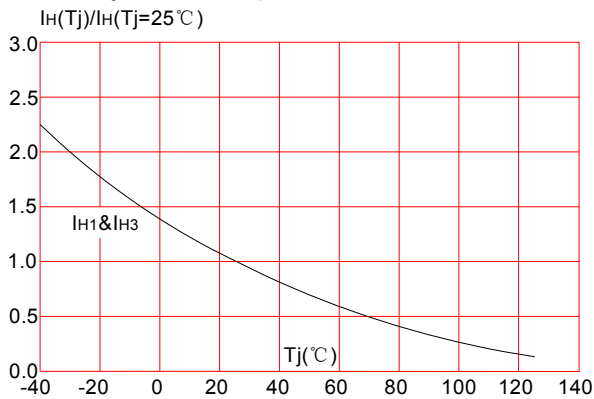


**FIG.6:** Relative variations of gate trigger current versus junction temperature

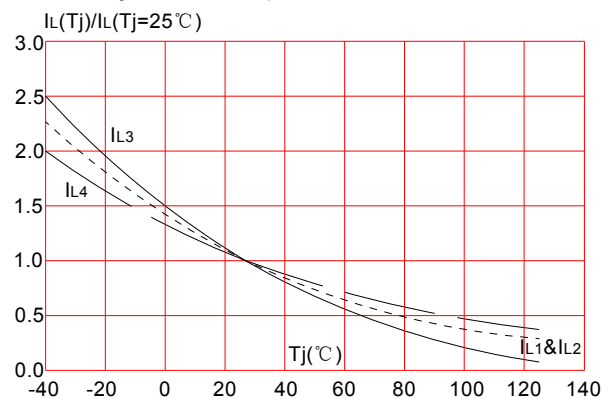




**FIG.7:** Relative variations of holding current versus junction temperature



**FIG.8:** Relative variations of latching current versus junction temperature




Information furnished in this document is believed to be accurate and reliable. However, Jiangsu JieJie Microelectronics Co.,Ltd assumes no responsibility for the consequences of use without consideration for such information nor use beyond it.

Information mentioned in this document is subject to change without notice, apart from that when an agreement is signed, Jiangsu JieJie complies with the agreement.

Products and information provided in this document have no infringement of patents. Jiangsu JieJie assumes no responsibility for any infringement of other rights of third parties which may result from the use of such products and information.

This document is the thirteenth version which is made in 25-May-2019. This document supersedes and replaces all information previously supplied.

 is a registered trademark of Jiangsu JieJie Microelectronics Co.,Ltd.

Copyright ©2019 Jiangsu JieJie Microelectronics Co.,Ltd. Printed All rights reserved.