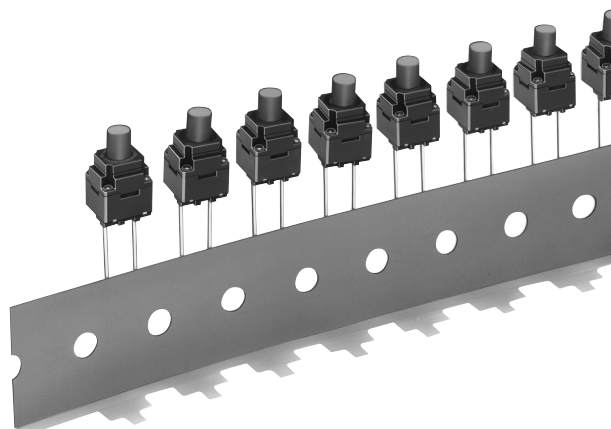



# Sealed Tactile Switch B3WN

## Double-sealed Construction Assures Watertight/Dust-tight Protection

- Sealed construction conforming to IP67 (IEC-60529) provides high reliability even in locations exposed to dust or water.
- 8 mm x 8 mm compact size.
- Allows the use of radial-taping part insertion machines.
- RoHS Compliant



## Ordering Information

Type	Plunger	Height	Operating force (OF)	Model
8 x 8 mm		13 mm	General-purpose: 200 gf	<b>B3WN-6002</b>
			High-force: 260 gf	<b>B3WN-6005</b>

**Note:** The switches are tape packaged in units of 1,000 per package. Order in multiples of the package size. Switches are not sold individually.  
**Important Note:** Switches cannot be water-washed.

## Specifications

### ■ Characteristics

<b>Contact form</b>	SPST-NO
<b>Switching capacity</b>	50 mA, 12 VDC (resistive load)
<b>Contact resistance</b>	100 mΩ max. (rated: 1 mA, 5 VDC)
<b>Insulation resistance</b>	100 MΩ min. (at 100 VDC)
<b>Dielectric strength</b>	250 VAC, 50/60Hz for 1 min
<b>Bounce time</b>	10 ms max.
<b>Vibration resistance</b>	Malfunction: 10 to 55 Hz, 1.5-mm double amplitude
<b>Shock resistance</b>	Destruction: 784 m/s <sup>2</sup> (approx. 80G) max. Malfunction: 100 m/s <sup>2</sup> (approx. 10G) max.
<b>Life expectancy</b>	100,000 operations min.
<b>Ambient operating temperature</b>	-25°C to 85°C (at 60% RH max.) with no icing or condensation
<b>Ambient operating humidity</b>	35% to 85% (at 5 to 35°C)
<b>Weight</b>	Approx. 0.7 g

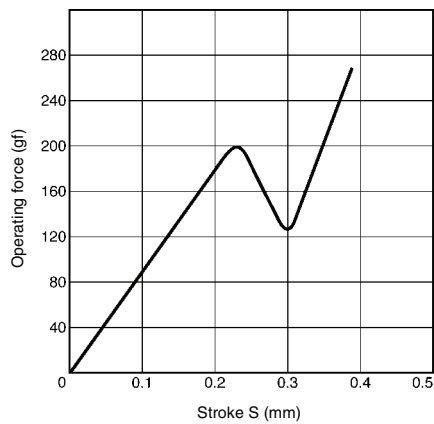
**Note:** Data shown are of initial value

### ■ Operating Characteristics

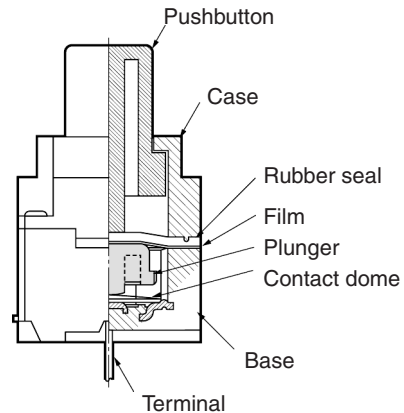
Item	B3WN-6002	B3WN-6005
Operating force (OF)	200 ± 70 gf	260 ± 70 gf
Releasing force (RF) min.	50 gf	
Pretravel (PT)	0.3 <sup>+0.2</sup> <sub>-0.1</sub> mm	

# Engineering Data

## ■ Operating Force vs. Stroke (Typical Example)



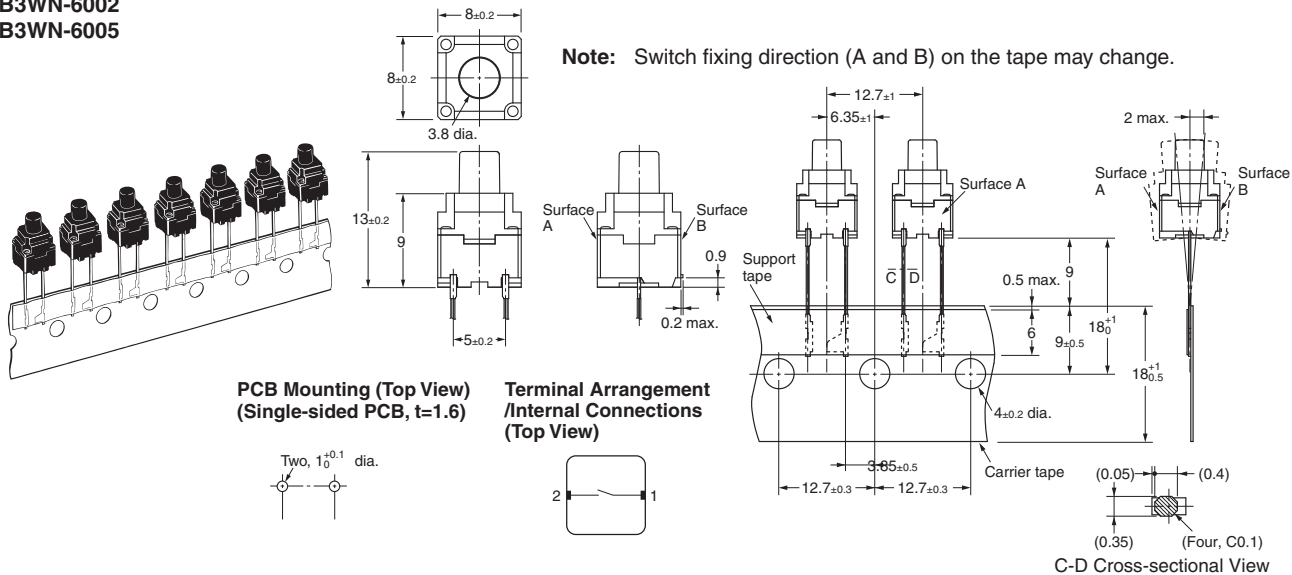
## ■ Construction



## Dimensions

- Note:** 1. Unless otherwise specified, all units are in millimeters and a tolerance of  $\pm 0.4$  mm applies to all dimensions.  
 2. Terminal numbers are not indicated on this switch. With the switch turned over so that the logo mark "OMRON" is visible on the upper part of the rear side of the switch base, the terminal on the top of the logo mark is numbered "1" and that on the bottom is "2."

B3WN-6002  
B3WN-6005



## Precautions

Be sure to read the precautions common to all Tactile Switches, contained in the Technical User's Guide, "Tactile Switches, Technical Information" for correct use.

A large grid of 20 columns and 30 rows of small squares, intended for taking notes. The grid is composed of thin lines forming a uniform pattern of squares across the page.

All sales are subject to Omron Electronic Components LLC standard terms and conditions of sale, which can be found at [http://www.components.omron.com/components/web/webfiles.nsf/sales\\_terms.html](http://www.components.omron.com/components/web/webfiles.nsf/sales_terms.html)

**ALL DIMENSIONS SHOWN ARE IN MILLIMETERS.**  
To convert millimeters into inches, multiply by 0.03937. To convert grams into ounces, multiply by 0.03527.

---

**OMRON**<sup>®</sup>

**OMRON ELECTRONIC  
COMPONENTS LLC**

55 E. Commerce Drive, Suite B  
Schaumburg, IL 60173

**847-882-2288**

**OMRON ON-LINE**

Global - <http://www.omron.com>

USA - <http://www.components.omron.com>

Cat. No. X303-E-1

11/10

Specifications subject to change without notice

Printed in USA