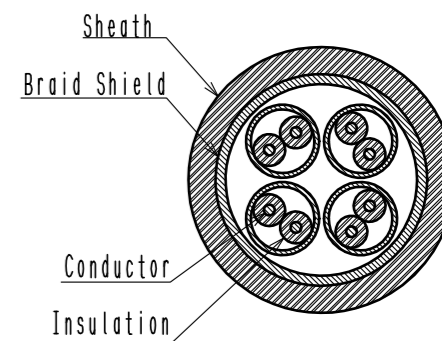


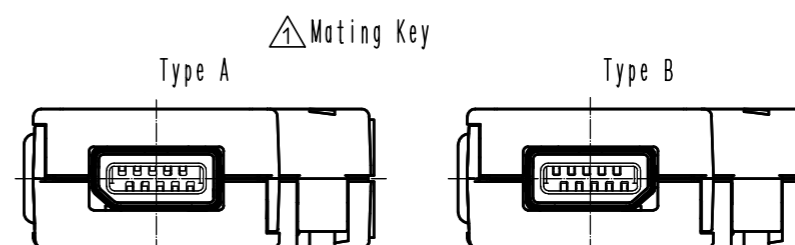
Aug.1.2022 Copyright 2022 HIROSE ELECTRIC CO., LTD. All Rights Reserved.  
In case of consideration for using Automotive equipment / device which demand high reliability, kindly contact our sales window correspondents.

Notes. 1. Recommended cable condition is shown below.  
 ⚠ A list of compatible cables is available on the Hirose website.  
 When using a non-recommended cable, please contact a Hirose sales representative.  
 Refer to the technical specification (ETAD-E3222) for wiring and assembly procedures.

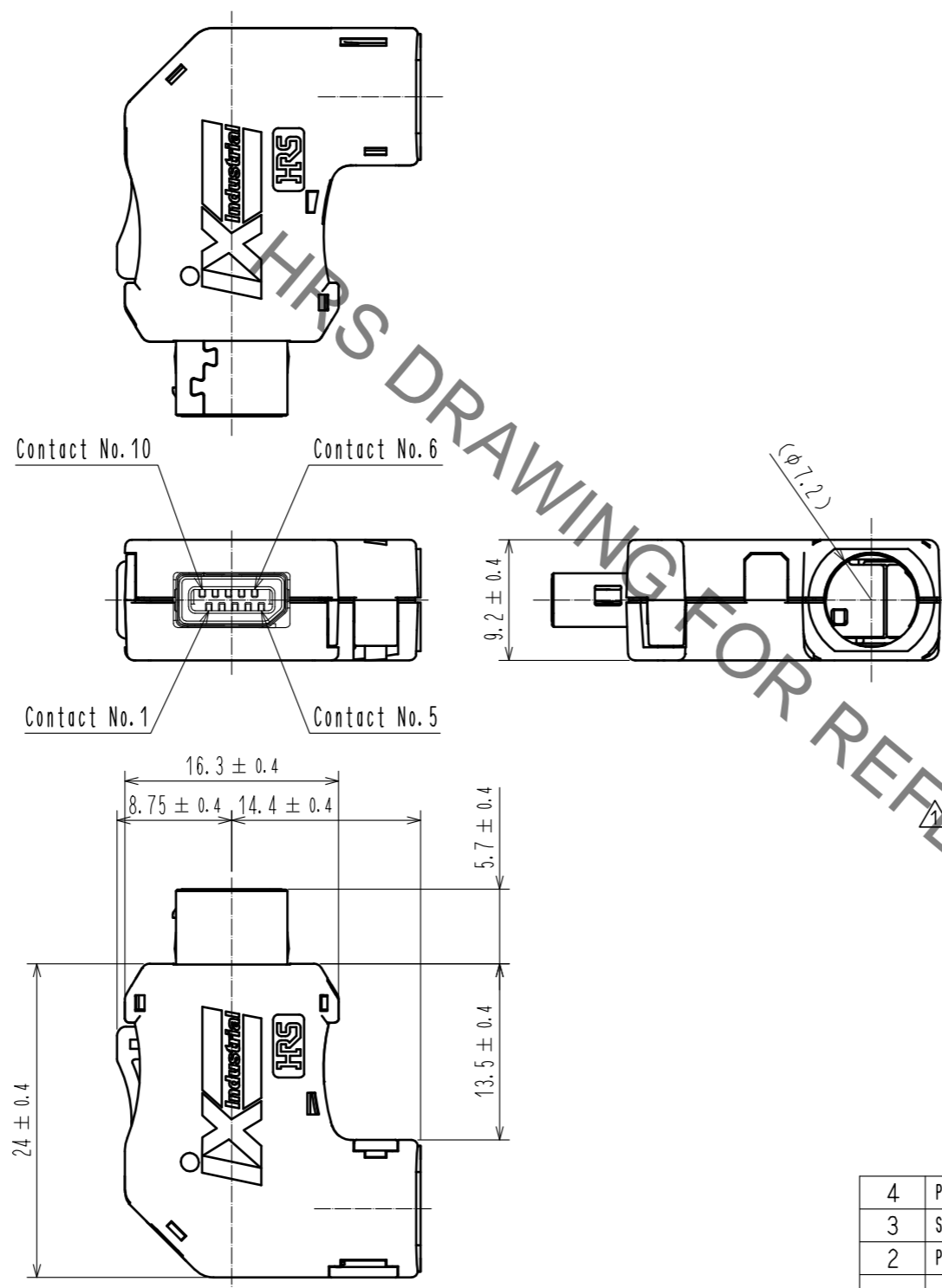
Items	Recommended Condition
Conductor size	AWG # 28-22
Insulation O.D.	φ 1.55 mm MAX.
Braid Shield	Tin plating
Sheath O.D.	φ 6.3 -7.2 mm



2. This product (Type B) is used for non Ethernet applications like signaling, serial or other industrial bus communication systems. Please use Type A for 10/100 Mbit/s and 1/10 Gbit/s Ethernet communication.



⚠ Excluding the plug unit, this product is packaged separately by the type of parts. The shield shell is packaged prior to bending. (See next page.) Refer to the technical specification (ETAP-E3224) for packing.



NO.	MATERIAL	FINISH	REMARKS	NO.	MATERIAL	FINISH	REMARKS
4	PA		Black, UL94V-0	8	PC		Dark gray, UL94V-0
3	Stainless Steel			7	PC		Dark gray, UL94V-0
2	PA		Black, UL94V-0	6	Stainless Steel		Nickel 0.2 μm min
1	Copper Alloy		Contact area : Gold 0.2 μm min Wiring area : Gold 0.03 μm min Under plating : Nickel 2 μm min	5	Stainless Steel		Nickel 1 μm min

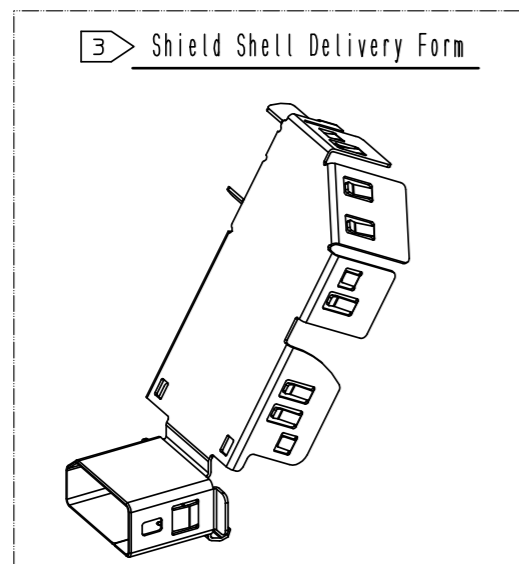
  

UNITS	SCALE	COUNT	DESCRIPTION OF REVISIONS	DESIGNED	CHECKED	DATE
mm	2 : 1	6	DIS-E-00006884	MT. YASUDA	KI. KAGOTANI	20210929

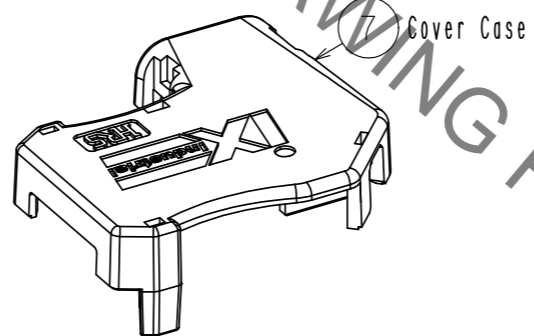
  

APPROVED	DATE	DRAWING NO.
•MN. KENJO	20200601	EDC-129990-00-00
CHECKED	DATE	PART NO.
•KI. NAGANUMA	20200601	IX40G-B-10S-CVL2(7.0)
DESIGNED	DATE	CODE NO.
•MT. YASUDA	20200601	CL0251-0078-0-00
DRAWN	DATE	
•MY. KOMUKAI	20200601	

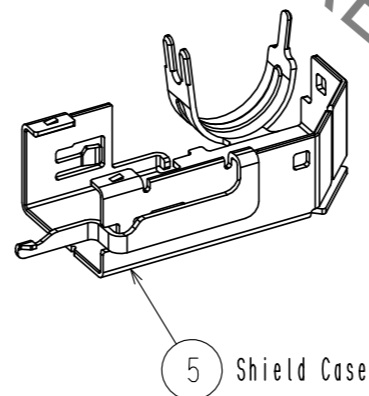
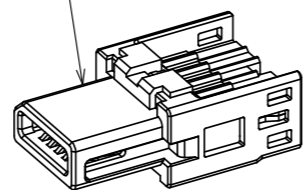
Aug.1.2022 Copyright 2022 HIROSE ELECTRIC CO., LTD. All Rights Reserved.  
 In case of consideration for using Automotive equipment / device which demand high reliability, kindly contact our sales window correspondents.



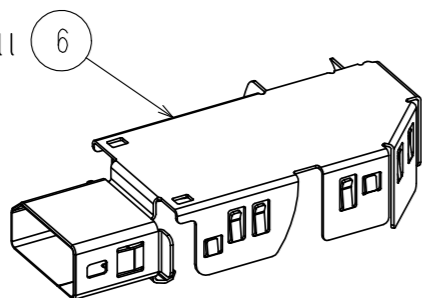
Product Structure



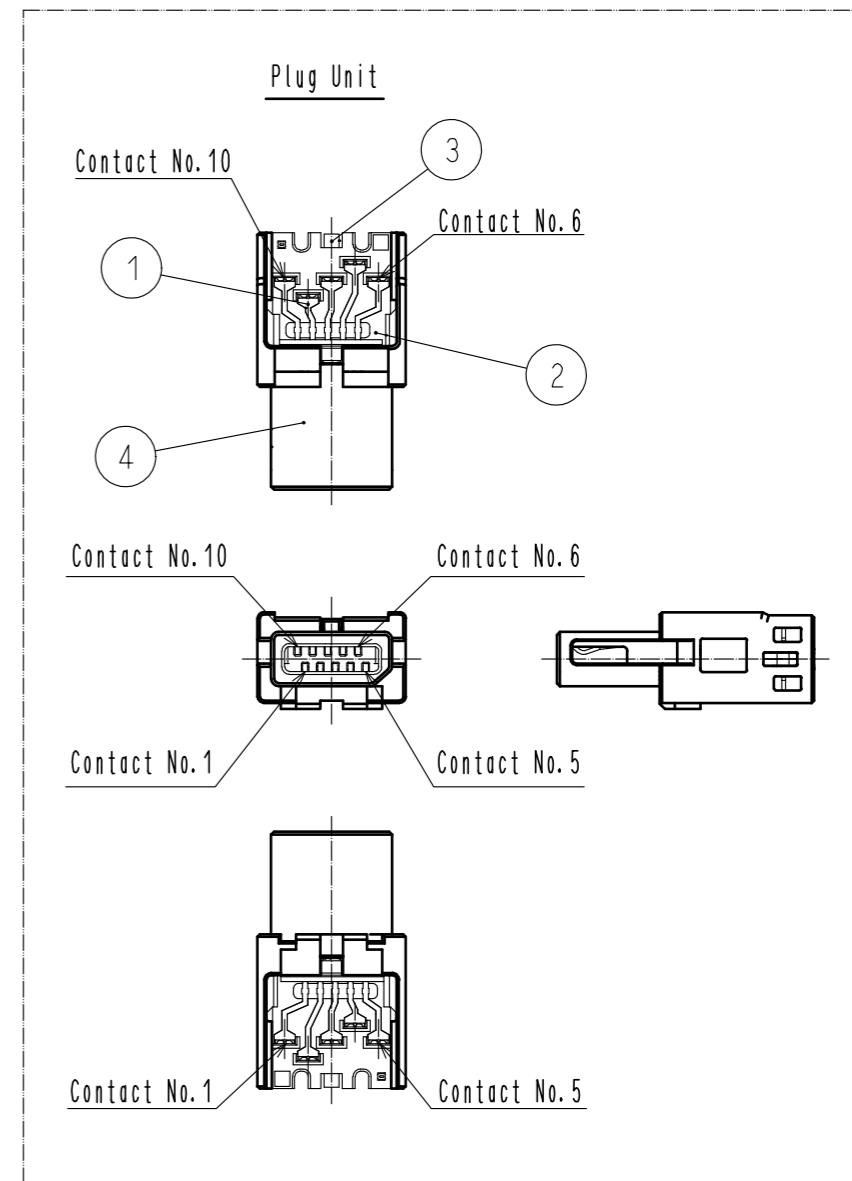
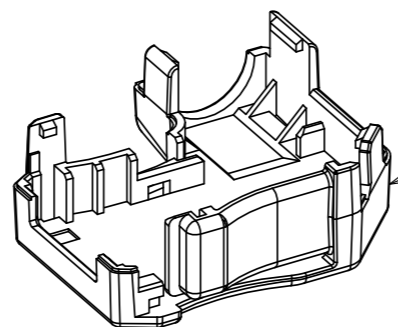
Plug Unit



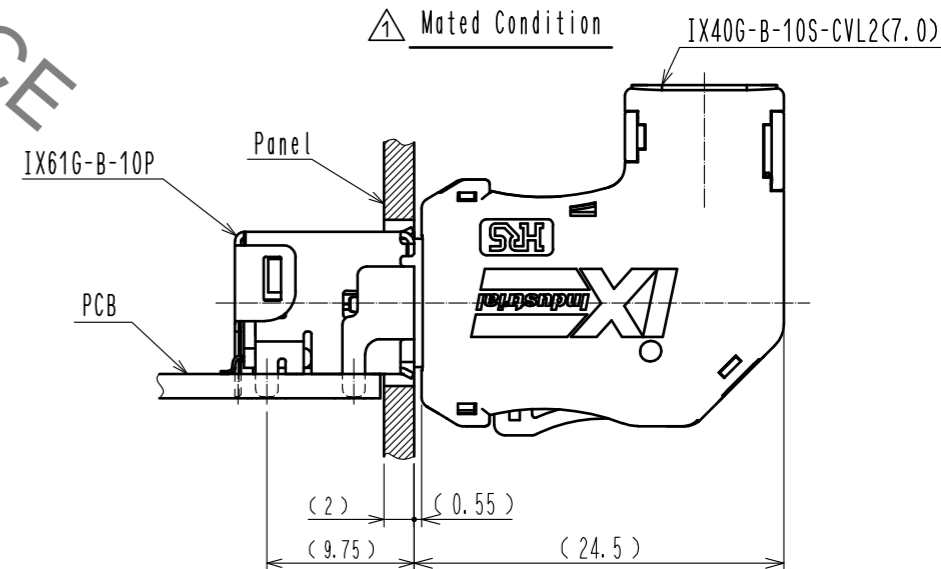
Shield Shell



Cover Case



Mated Condition



<b>HRS</b>	DRAWING NO.	EDC-129990-00-00
	PART NO.	IX40G-B-10S-CVL2(7.0)
	CODE NO.	CL0251-0078-0-00
		△ 2/2