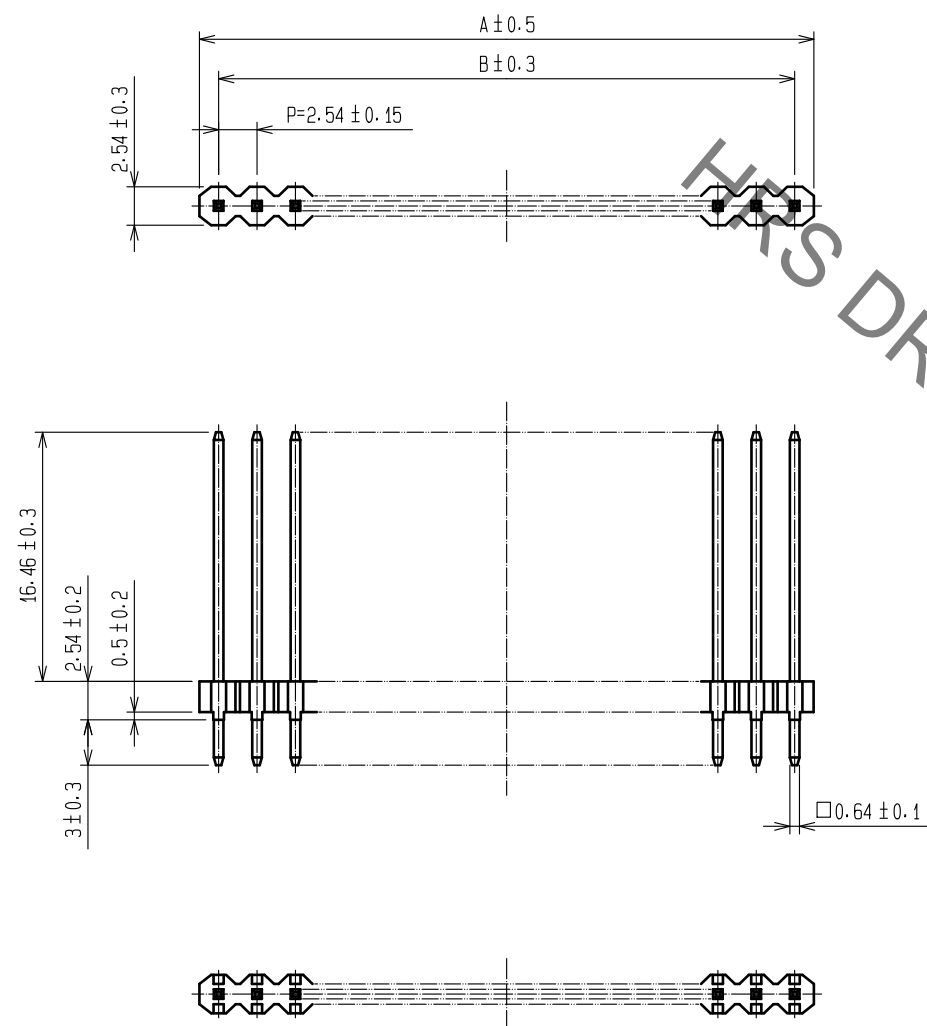


Aug.1.2022 Copyright 2022 HIROSE ELECTRIC CO., LTD. All Rights Reserved.
In case of consideration for using Automotive equipment / device which demand high reliability, kindly contact our sales window correspondents.



NOTE1: RECOMMENDED PC BOARD HOLE DIAMETER : $\phi 1^{+0.1}_0$
2: UL(FILE NO.E52653)



CODE NO.	PART NO.	NUMBER OF CONTACTS	A	B
547-0304-0-96	MDF7B- 3P-2.54DSA(96)	3	7.62	5.08
547-0133-9-96	MDF7B- 5P-2.54DSA(96)	5	12.70	10.16
547-0131-3-96	MDF7B- 6P-2.54DSA(96)	6	15.24	12.70
547-0177-4-96	MDF7B- 7P-2.54DSA(96)	7	17.78	15.24
547-0178-7-96	MDF7B- 8P-2.54DSA(96)	8	20.32	17.78
547-0179-0-96	MDF7B- 9P-2.54DSA(96)	9	22.86	20.32
547-0048-1-96	MDF7B-10P-2.54DSA(96)	10	25.40	22.86
547-0047-9-96	MDF7B-11P-2.54DSA(96)	11	27.94	25.40
	MDF7B-12P-2.54DSA(96)	12	30.48	27.94
	MDF7B-13P-2.54DSA(96)	13	33.02	30.48
	MDF7B-14P-2.54DSA(96)	14	35.56	33.02
	MDF7B-15P-2.54DSA(96)	15	38.10	35.56
	MDF7B-16P-2.54DSA(96)	16	40.64	38.10
	MDF7B-17P-2.54DSA(96)	17	43.18	40.64
	MDF7B-18P-2.54DSA(96)	18	45.72	43.18
	MDF7B-19P-2.54DSA(96)	19	48.26	45.72
547-0052-9-96	MDF7B-20P-2.54DSA(96)	20	50.80	48.26
	MDF7B-21P-2.54DSA(96)	21	53.34	50.80
	MDF7B-22P-2.54DSA(96)	22	55.88	53.34
	MDF7B-23P-2.54DSA(96)	23	58.42	55.88
	MDF7B-24P-2.54DSA(96)	24	60.96	58.42
	MDF7B-25P-2.54DSA(96)	25	63.50	60.96

1	BRASS	GOLD PLATED	2	PBT	UL94V-0. BLACK
NO.	MATERIAL	FINISH . REMARKS	NO.	MATERIAL	FINISH . REMARKS
UNITS mm		SCALE 2 : 1		COUNT	DESCRIPTION OF REVISIONS
		APPROVED : WR. FUKUCHI	18.05.25	DRAWING NO. EDC-162732-96-01	
HIROSE ELECTRIC CO., LTD.		CHECKED : TS. MIYAZAKI	18.05.24	PART NO. MDF7B-P-2.54DSA(96)	
		DESIGNED : KT. KUSAKA	18.05.24	CODE NO. CL547	
		DRAWN : KT. KUSAKA	18.05.22		