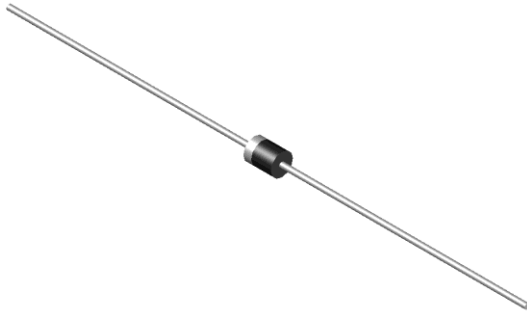


Schottky Barrier Rectifier

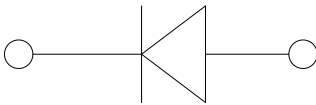


Features

- Guardring for overvoltage protection
- Low power loss
- Extremely fast switching
- High forward surge capability
- High frequency operation
- Solder dip 275 °C max. 7 s, per JESD 22-B106

Typical Applications

For use in low voltage high frequency inverters, freewheeling, DC/DC converters, and polarity protection applications.



Mechanical Data

- **Package:** R-1
Molding compound meets UL 94 V-0 flammability rating, RoHS-compliant, Halogen free
- **Terminals:** Tin plated leads, solderable per J-STD-002 and JESD22-B102
- **Polarity:** Color band denotes the cathode end

■ Maximum Ratings (Ta=25°C Unless otherwise specified)

PARAMETER	SYMBOL	UNIT	1S20	1S40	1S60	1S100
Device marking code			1S20	1S40	1S60	1S100
Repetitive Peak Reverse Voltage	V _{RRM}	V	20	40	60	100
Average Rectified Output Current @60Hz sine wave, Resistance load, Ta (FIG.1)	I _O	A	1.0			
Surge(Non-repetitive)Forward Current @60Hz Half-sine wave,1 cycle, Ta=25°C	I _{FSM}	A	30			
Storage Temperature	T _{stg}	°C	-55 ~+150			
Junction Temperature	T _j	°C	-55 ~+125		-55 ~+150	

■ Electrical Characteristics (Ta=25°C Unless otherwise specified)

PARAMETER	SYMBOL	UNIT	TEST CONDITIONS	1S20	1S40	1S60	1S100
Maximum instantaneous forward voltage drop per diode	V _F	V	I _{FM} =1.0A	0.55		0.7	0.85
Maximum DC reverse current at rated DC blocking voltage per diode	I _R	mA	T _a =25°C	0.2			0.1
			T _a =100°C	20			5
Typical junction capacitance	C _j	pF	Measured at 1MHZ and Applied Reverse Voltage of 4.0 V.D.C.	50			40



1S20 THRU 1S100

■ Thermal Characteristics ($T_a=25^\circ\text{C}$ Unless otherwise specified)

PARAMETER	SYMBOL	UNIT	1S20	1S40	1S60	1S100
Thermal Resistance	R θ J-A	$^\circ\text{C}/\text{W}$	85			

■ Ordering Information (Example)

PREFERRED P/N	PACKAGE CODE	UNIT WEIGHT(g)	MINIMUM PACKAGE(pcs)	INNER BOX QUANTITY(pcs)	OUTER CARTON QUANTITY(pcs)	DELIVERY MODE
1S20~1S100	D1	Approximate 0.19	Approximate 5000	5000	50000	Tape
1S20~1S100	C1	Approximate 0.19	Approximate 1000	1000	50000	Bulk

■ Characteristics(Typical)

FIG.1: I_o - T_a Curve

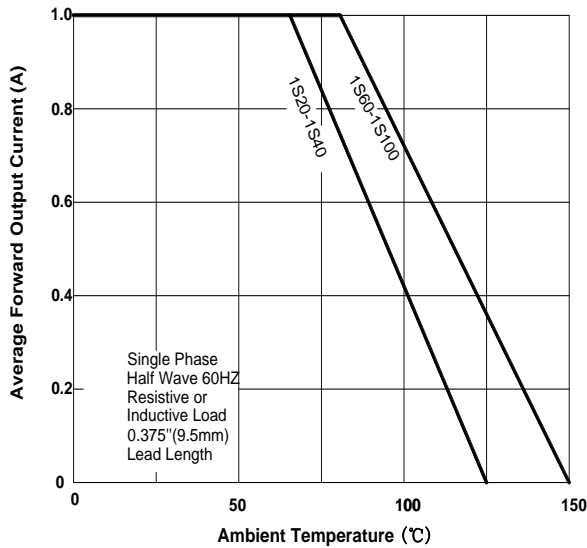


FIG.2: Forward Surge Current Capability

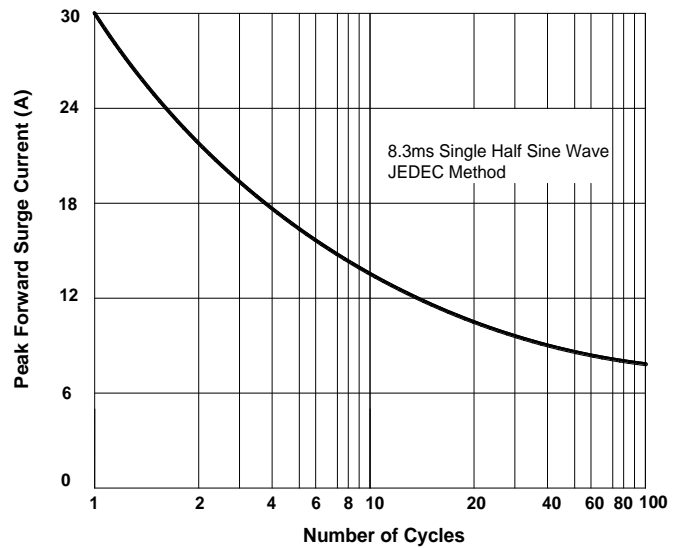


FIG.3: Forward voltage

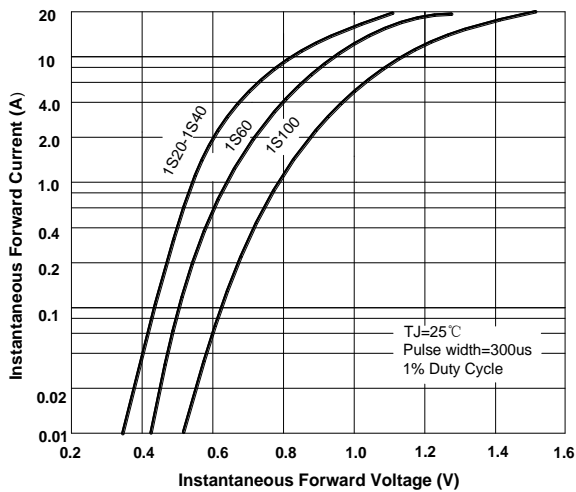
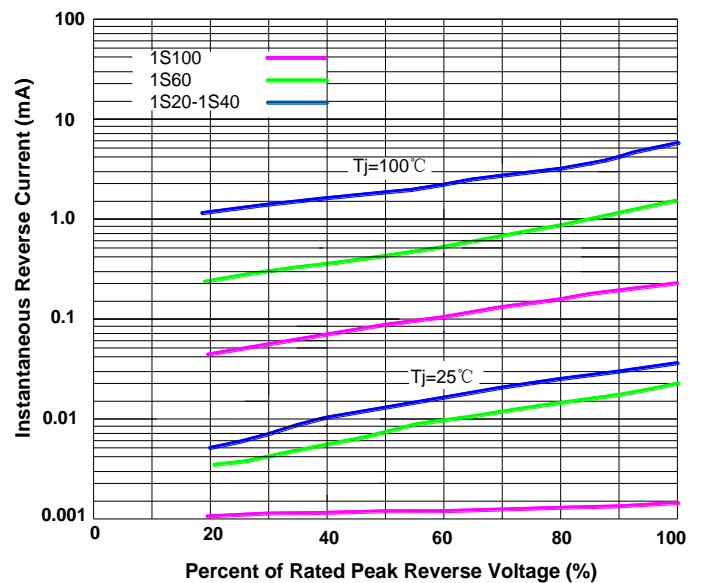
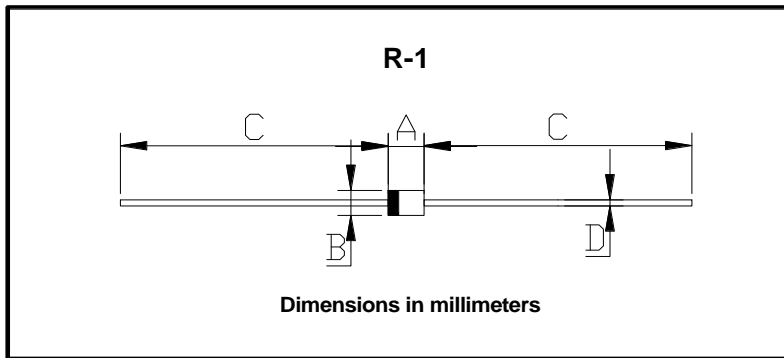


FIG.4: Typical Reverse Characteristics





■ Outline Dimensions



R-1		
Dim	Min	Max
A	3.00	3.30
B	2.00	2.70
C	25.4	/
D	0.53	0.64



1S20 THRU 1S100

Disclaimer

The information presented in this document is for reference only. Yangzhou Yangjie Electronic Technology Co., Ltd. reserves the right to make changes without notice for the specification of the products displayed herein to improve reliability, function or design or otherwise.

The product listed herein is designed to be used with ordinary electronic equipment or devices, and not designed to be used with equipment or devices which require high level of reliability and the malfunction of which would directly endanger human life (such as medical instruments, transportation equipment, aerospace machinery, nuclear-reactor controllers, fuel controllers and other safety devices), Yangjie or anyone on its behalf, assumes no responsibility or liability for any damages resulting from such improper use of sale.

This publication supersedes & replaces all information previously supplied. For additional information, please visit our website [http:// www.21yangjie.com](http://www.21yangjie.com) , or consult your nearest Yangjie's sales office for further assistance.