

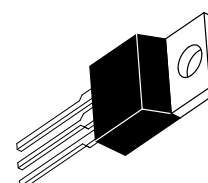
## Silicon Controlled Rectifiers Reverse Blocking Triode Thyristors

... designed for industrial and consumer applications such as temperature, light and speed control; process and remote controls; warning systems; capacitive discharge circuits and MPU interface.

- Center Gate Geometry for Uniform Current Density
- All Diffused and Glass-Passivated Junctions for Parameter Uniformity and Stability
- Small, Rugged Thermowatt Construction for Low Thermal Resistance, High Heat Dissipation and Durability
- Low Trigger Currents, 200  $\mu$ A Maximum for Direct Driving from Integrated Circuits

### MCR72 Series

SCRs  
8 AMPERES RMS  
50 thru 800 VOLTS



CASE 221A-04  
(TO-220AB)  
STYLE 3

#### MAXIMUM RATINGS ( $T_J = 25^\circ\text{C}$ unless otherwise noted.)

Rating	Symbol	Value	Unit
Peak Repetitive Forward and Reverse Blocking Voltage <sup>(1)</sup> ( $T_J = -40$ to $110^\circ\text{C}$ , 1/2 Sine Wave, $R_{GK} = 1\text{k}\Omega$ )	$V_{DRM}$ or $V_{RRM}$	50 100 200 400 600 800	Volts
On-State RMS Current ( $T_C = 83^\circ\text{C}$ )	$I_T(\text{RMS})$	8	Amps
Peak Non-repetitive Surge Current (1/2 Cycle, 60 Hz, $T_J = -40$ to $110^\circ\text{C}$ )	$I_{TSM}$	100	Amps
Circuit Fusing ( $t = 8.3$ ms)	$I^2t$	40	$\text{A}^2\text{s}$
Peak Gate Voltage ( $t \leq 10$ $\mu\text{s}$ )	$V_{GM}$	$\pm 5$	Volts
Peak Gate Current ( $t \leq 10$ $\mu\text{s}$ )	$I_{GM}$	1	Amp
Peak Gate Power ( $t \leq 10$ $\mu\text{s}$ )	$P_{GM}$	5	Watts
Average Gate Power	$P_{G(AV)}$	0.75	Watts
Operating Junction Temperature Range	$T_J$	-40 to +110	$^\circ\text{C}$

1.  $V_{DRM}$  and  $V_{RRM}$  for all types can be applied on a continuous basis. Ratings apply for zero or negative gate voltage; however, positive gate voltage shall not be applied concurrent with negative potential on the anode. Blocking voltages shall not be tested with a constant current source such that the voltage ratings of the devices are exceeded. (cont.)

# MCR72 Series

## MAXIMUM RATINGS — continued

Rating	Symbol	Value	Unit
Storage Temperature Range	$T_{stg}$	-40 to +150	°C
Mounting Torque	—	8	in. lb.

## THERMAL CHARACTERISTICS

Characteristic	Symbol	Max	Unit
Thermal Resistance, Junction to Case	$R_{\theta JC}$	2.2	°C/W
Thermal Resistance, Junction to Ambient	$R_{\theta JA}$	60	°C/W

## ELECTRICAL CHARACTERISTICS ( $T_C = 25^\circ\text{C}$ , $R_{GK} = 1\text{ k}\Omega$ unless otherwise noted.)

Characteristic	Symbol	Min	Typ	Max	Unit
Peak Forward or Reverse Blocking Current <sup>(1)</sup> ( $V_{AK} = \text{Rated } V_{DRM} \text{ or } V_{RRM}$ ) $T_J = 25^\circ\text{C}$ $T_J = 110^\circ\text{C}$	$I_{DRM}, I_{RRM}$	— —	— —	10 500	$\mu\text{A}$ $\mu\text{A}$
On-State Voltage ( $I_{TM} = 16\text{ A Peak}$ , Pulse Width $\leq 1\text{ ms}$ , Duty Cycle $\leq 2\%$ )	$V_{TM}$	—	1.7	2	Volts
Gate Trigger Current (Continuous dc) <sup>(2)</sup> ( $V_D = 12\text{ V}$ , $R_L = 100\ \Omega$ )	$I_{GT}$	—	30	200	$\mu\text{A}$
Gate Trigger Voltage (Continuous dc) ( $V_D = 12\text{ V}$ , $R_L = 100\ \Omega$ ) ( $V_D = \text{Rated } V_{DRM}$ , $R_L = 10\text{ k}\Omega$ , $T_J = 110^\circ\text{C}$ )	$V_{GT}$	— 0.1	0.5 —	1.5 —	Volts
Holding Current ( $V_D = 12\text{ V}$ , $I_{TM} = 100\text{ mA}$ )	$I_H$	—	—	6	mA
Critical Rate-of-Rise of Forward Blocking Voltage ( $V_D = \text{Rated } V_{DRM}$ , $T_J = 110^\circ\text{C}$ , Exponential Waveform)	$dv/dt$	—	10	—	$\text{V}/\mu\text{s}$
Gate Controlled Turn-On Time ( $V_D = \text{Rated } V_{DRM}$ , $I_{TM} = 16\text{ A}$ , $I_G = 2\text{ mA}$ )	$t_{gt}$	—	1	—	$\mu\text{s}$

1. Ratings apply for negative gate voltage or  $R_{GK} = 1\text{ k}\Omega$ . Devices shall not have a positive gate voltage concurrently with a negative voltage on the anode. Devices should not be tested with a constant current source for forward and reverse blocking capability such that the voltage applied exceeds the rated blocking voltage.
2. Does not include  $R_{GK}$  current.

FIGURE 1 – AVERAGE CURRENT DERATING

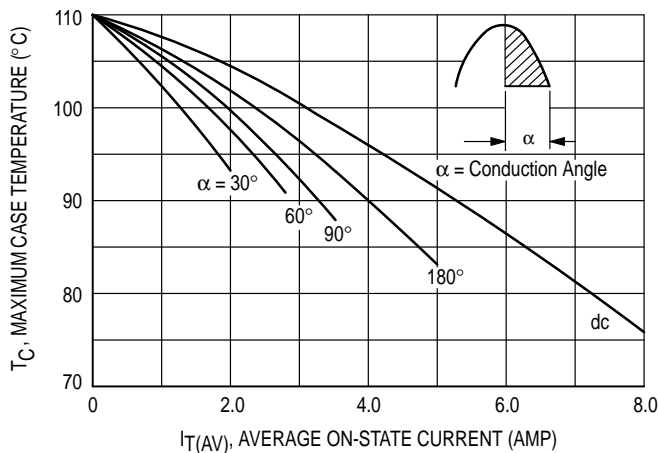


FIGURE 2 – ON-STATE POWER DISSIPATION

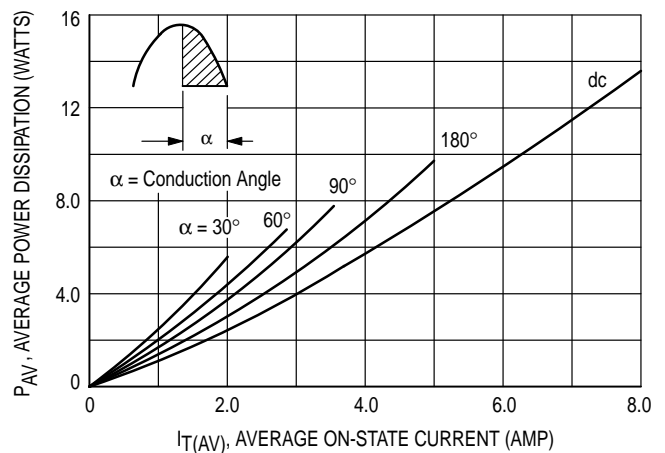


FIGURE 3 – NORMALIZED GATE CURRENT

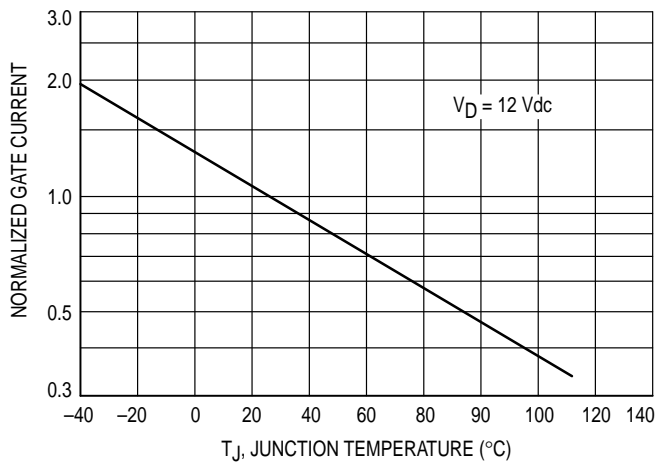
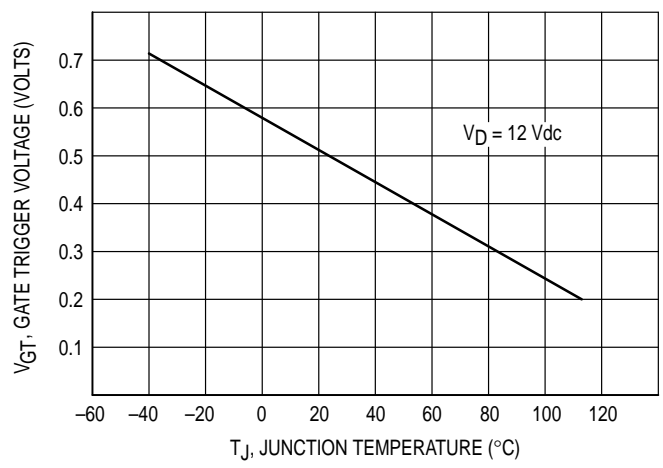
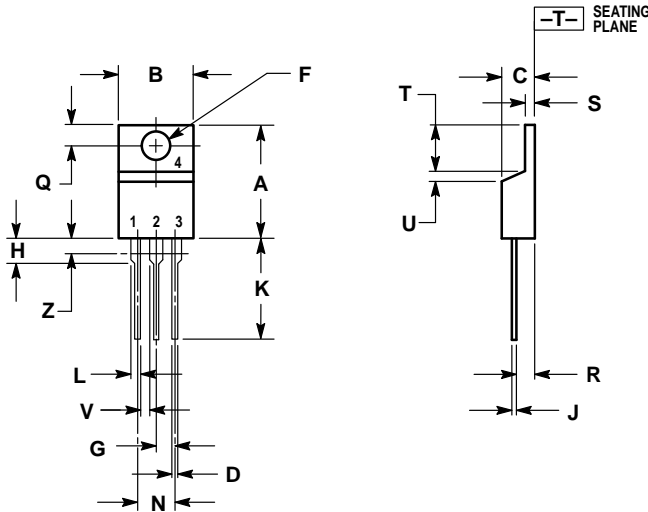


FIGURE 4 – GATE VOLTAGE



PACKAGE DIMENSIONS



STYLE 3:  
 PIN 1. CATHODE  
 2. ANODE  
 3. GATE  
 4. ANODE

- NOTES:  
 1. DIMENSIONING AND TOLERANCING PER ANSI Y14.5M, 1982.  
 2. CONTROLLING DIMENSION: INCH.  
 3. DIMENSION Z DEFINES A ZONE WHERE ALL BODY AND LEAD IRREGULARITIES ARE ALLOWED.

DIM	INCHES		MILLIMETERS	
	MIN	MAX	MIN	MAX
A	0.570	0.620	14.48	15.75
B	0.380	0.405	9.66	10.28
C	0.160	0.190	4.07	4.82
D	0.025	0.035	0.64	0.88
F	0.142	0.147	3.61	3.73
G	0.095	0.105	2.42	2.66
H	0.110	0.155	2.80	3.93
J	0.014	0.022	0.36	0.55
K	0.500	0.562	12.70	14.27
L	0.045	0.055	1.15	1.39
N	0.190	0.210	4.83	5.33
Q	0.100	0.120	2.54	3.04
R	0.080	0.110	2.04	2.79
S	0.045	0.055	1.15	1.39
T	0.235	0.255	5.97	6.47
U	0.000	0.050	0.00	1.27
V	0.045	—	1.15	—
Z	—	0.080	—	2.04

CASE 221A-04  
 (TO-220AB)

Motorola reserves the right to make changes without further notice to any products herein. Motorola makes no warranty, representation or guarantee regarding the suitability of its products for any particular purpose, nor does Motorola assume any liability arising out of the application or use of any product or circuit, and specifically disclaims any and all liability, including without limitation consequential or incidental damages. "Typical" parameters can and do vary in different applications. All operating parameters, including "Typicals" must be validated for each customer application by customer's technical experts. Motorola does not convey any license under its patent rights nor the rights of others. Motorola products are not designed, intended, or authorized for use as components in systems intended for surgical implant into the body, or other applications intended to support or sustain life, or for any other application in which the failure of the Motorola product could create a situation where personal injury or death may occur. Should Buyer purchase or use Motorola products for any such unintended or unauthorized application, Buyer shall indemnify and hold Motorola and its officers, employees, subsidiaries, affiliates, and distributors harmless against all claims, costs, damages, and expenses, and reasonable attorney fees arising out of, directly or indirectly, any claim of personal injury or death associated with such unintended or unauthorized use, even if such claim alleges that Motorola was negligent regarding the design or manufacture of the part. Motorola and are registered trademarks of Motorola, Inc. Motorola, Inc. is an Equal Opportunity/Affirmative Action Employer.

Literature Distribution Centers:

USA: Motorola Literature Distribution; P.O. Box 20912; Phoenix, Arizona 85036.  
 EUROPE: Motorola Ltd.; European Literature Centre; 88 Tanners Drive, Blakelands, Milton Keynes, MK14 5BP, England.  
 JAPAN: Nippon Motorola Ltd.; 4-32-1, Nishi-Gotanda, Shinagawa-ku, Tokyo 141, Japan.  
 ASIA PACIFIC: Motorola Semiconductors H.K. Ltd.; Silicon Harbour Center, No. 2 Dai King Street, Tai Po Industrial Estate, Tai Po, N.T., Hong Kong.

