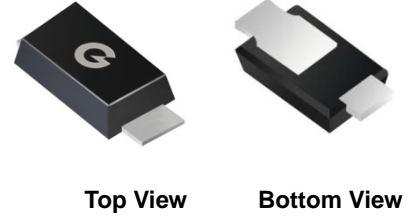


## Zener Diodes

## DFLZ5V1Q--DFLZ39Q

### Features

- 1W Power Dissipation on FR-4 PCB
- Large, exposed pad and heat sink designed for superior thermal performance
- Lead-Free Finish; RoHS Compliant



Top View

Bottom View

### Mechanical Data

- Case: SOD-123T molded plastic
- Molding compound, UL flammability classification rating 94V-0
- Polarity: Color band denotes cathode end

### Maximum Ratings (@ $T_A = 25^\circ\text{C}$ unless otherwise specified)

Parameter	Symbol	Value	Units
Forward Voltage @ $I_F = 200\text{mA}$	$V_F$	1.2	V
Power Dissipation	$P_D$	1.0	W
Thermal Resistance Junction to Ambient Air	$R_{\theta JA}$	110	$^\circ\text{C/W}$
Operating and Storage Temperature Range	$T_J, T_{STG}$	-55 to +150	$^\circ\text{C}$

# Zener Diodes

# DFLZ5V1Q--DFLZ39Q

## Electrical Characteristics (@T<sub>A</sub> = 25°C unless otherwise specified)

Type Number	Marking Codes	Zener Voltage Range (Note1)				Zener Impedance (Note 2)		Maximum Reverse Current (Note 1)		Temperature Coefficient @ I <sub>ZTC</sub> %/°C	
		V <sub>Z</sub> @ I <sub>ZT</sub>			I <sub>ZT</sub>	Z <sub>ZT</sub> @ I <sub>ZT</sub>		I <sub>R</sub>	V <sub>R</sub>	Min	Min
		Nom (V)	Min (V)	Max (V)	mA	Typ (Ω)	Max (Ω)	μA	V		
DFLZ5V1Q	FHK	5.1	4.8	5.4	100	2	6	2.5	1	-0.08	-0.2
DFLZ5V6Q	FHL	5.6	5.2	6	100	1	4	10	2	-0.04	0.04
DFLZ6V2Q	FHN	6.2	5.8	6.6	100	1	3	5	2	-0.01	0.06
DFLZ6V8Q	FHO	6.8	6.4	7.2	100	1	3	5	3	0	0.07
DFLZ7V5Q	FHQ	7.5	7	7.9	100	1	2	5	3	0	0.07
DFLZ8V2Q	FHR	8.2	7.7	8.7	100	1	2	5	3	0.03	0.08
DFLZ9V1Q	FHT	9.1	8.5	9.6	50	1	4	5	5	0.03	0.08
DFLZ10Q	FHU	10	9.4	10.6	50	1	4	5	7.5	0.05	0.09
DFLZ11Q	FHV	11	10.4	11.6	50	1	7	4	8.2	0.05	0.1
DFLZ12Q	FHW	12	11.4	12.7	50	1	7	3	9.1	0.05	0.1
DFLZ13Q	FHX	13	12.4	14.1	50	1	10	2	10	0.05	0.1
DFLZ15Q	FHZ	15	13.8	15.6	50	1	10	1	11	0.05	0.1
DFLZ16Q	FJA	16	15.3	17.1	25	1	15	1	12	0.06	0.11
DFLZ18Q	FJF	18	16.8	19.1	25	2	15	1	13	0.06	0.11
DFLZ20Q	FJG	20	18.8	21.2	25	3	15	1	15	0.06	0.11
DFLZ22Q	FJK	22	20.8	23.3	25	3	15	1	16	0.06	0.11
DFLZ24Q	FJL	24	22.8	25.6	25	2	15	1	18	0.06	0.11
DFLZ27Q	FJN	27	25.1	28.9	25	3	15	1	20	0.06	0.11
DFLZ30Q	FJQ	30	28	32	25	8	15	1	22	0.06	0.11
DFLZ33Q	FJR	33	31	35	25	5	15	1	24	0.06	0.11
DFLZ36Q	FJS	36	34	38	10	5	40	1	27	0.06	0.11
DFLZ39Q	FJT	39	37	41	10	5	40	1	30	0.06	0.11

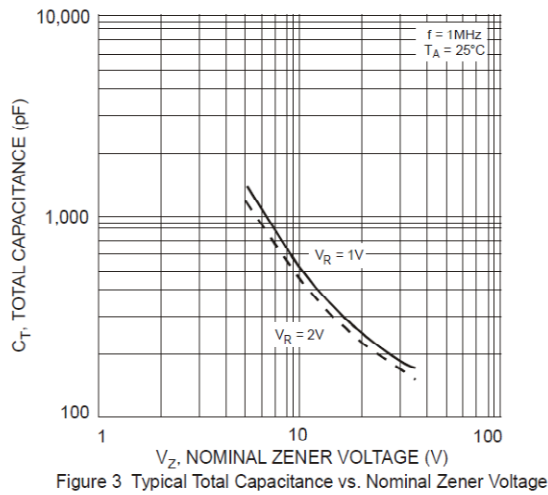
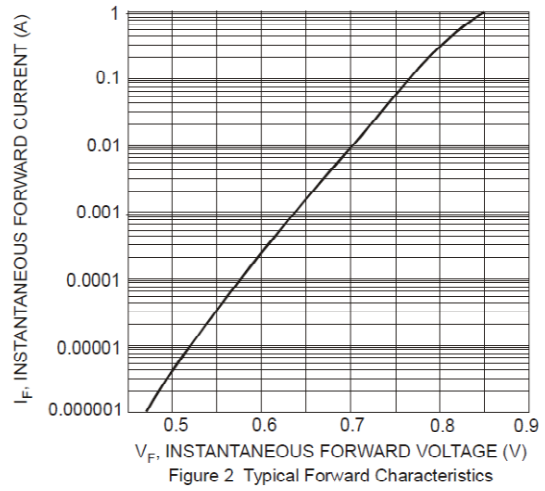
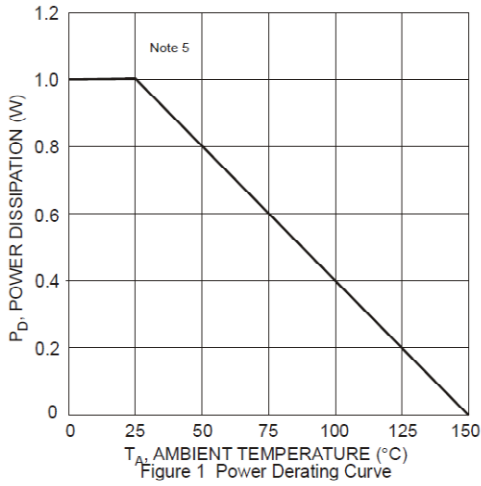
### Note

1. Short duration pulse test used to minimize self-heating effect.
2. The Zener impedance (Z<sub>zt</sub>) is measured by superimposing a minute alternating current on the regulated current (I<sub>zt</sub>).

# Zener Diodes

# DFLZ5V1Q--DFLZ39Q

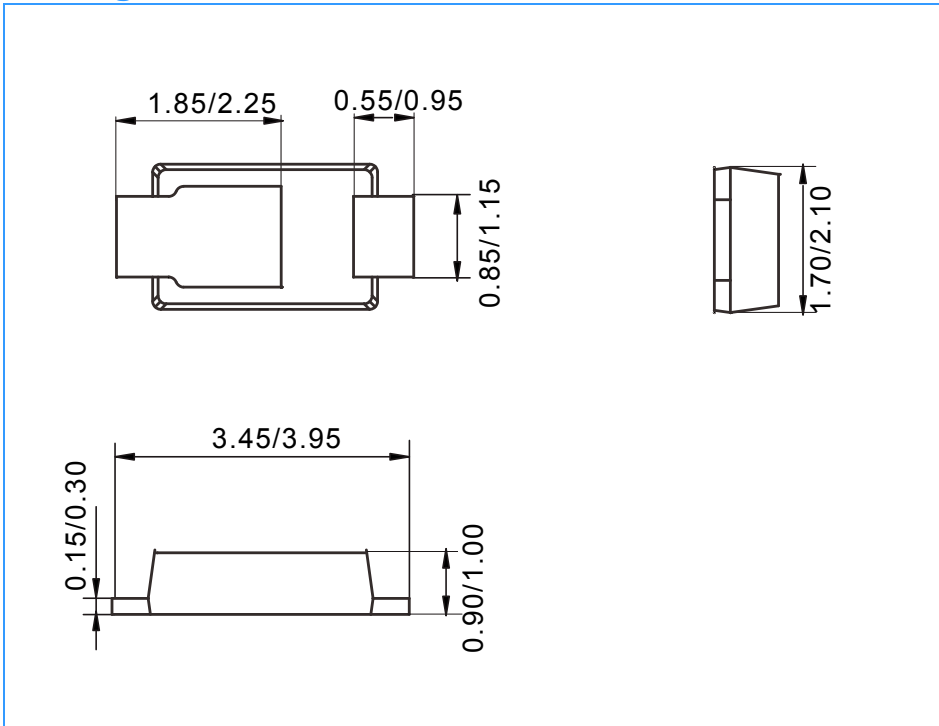
## Ratings and Characteristic Curves ( $T_A=25^\circ\text{C}$ unless otherwise noted)



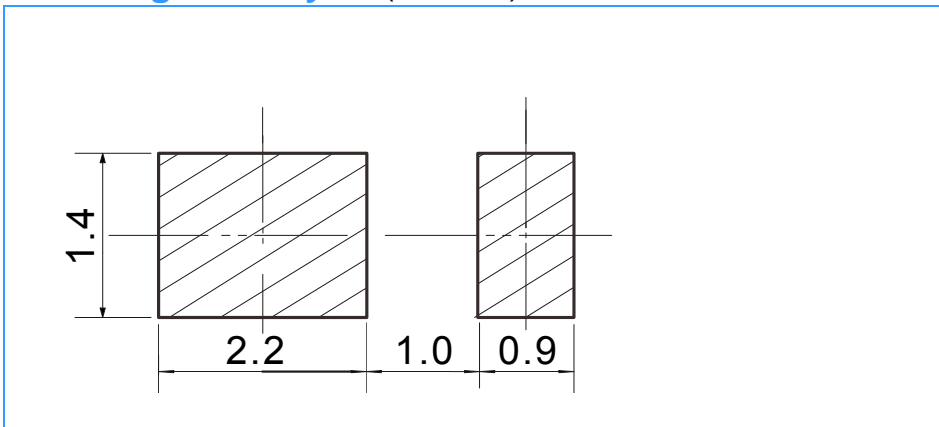
## Zener Diodes

## DFLZ5V1Q--DFLZ39Q

### Package Outline Dimensions(unit:mm)



### Mounting Pad Layout(unit:mm)



### Ordering Information

Part No.	Package	Shipping
DFLZ5V1Q--DFLZ39Q	SOD-123T	10000/Tape&Reel