

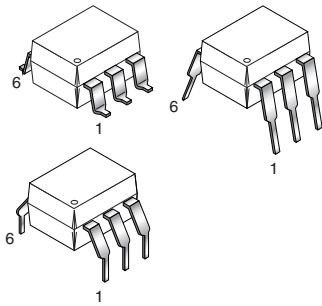
**MCT2**  
**MCT2200**

**MCT2E**  
**MCT2201**

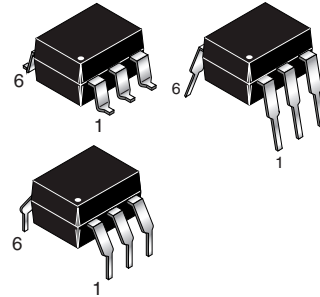
**MCT210**  
**MCT2202**

**MCT271**

**WHITE PACKAGE (-M SUFFIX)**



**BLACK PACKAGE (NO -M SUFFIX)**



**DESCRIPTION**

The MCT2XXX series optoisolators consist of a gallium arsenide infrared emitting diode driving a silicon phototransistor in a 6-pin dual in-line package.

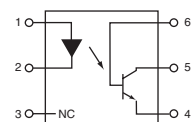
**FEATURES**

- UL recognized (File # E90700)
- VDE recognized (File # 94766)
  - Add option V for white package (e.g., MCT2V-M)
  - Add option 300 for black package (e.g., MCT2.300)
- MCT2 and MCT2E are also available in white package by specifying -M suffix, eg. MCT2-M

**APPLICATIONS**

- Power supply regulators
- Digital logic inputs
- Microprocessor inputs

**SCHEMATIC**



PIN 1. ANODE  
2. CATHODE  
3. NO CONNECTION  
4. EMITTER  
5. COLLECTOR  
6. BASE

**MCT2**  
**MCT2200**

**MCT2E**  
**MCT2201**

**MCT210**  
**MCT2202**

**MCT271**

<b>ABSOLUTE MAXIMUM RATINGS</b>				
<b>Parameter</b>	<b>Symbol</b>	<b>Device</b>	<b>Value</b>	<b>Units</b>
<b>TOTAL DEVICE</b>				
Storage Temperature	$T_{STG}$	ALL	-55 to +150	°C
Operating Temperature	$T_{OPR}$	ALL	-55 to +100	°C
Lead Solder Temperature	$T_{SOL}$	ALL	260 for 10 sec	°C
Total Device Power Dissipation @ $T_A = 25^\circ\text{C}$	$P_D$	-M	250	mW
		Non-M	260	
Derate above 25°C		-M	2.94	mW/°C
		Non-M	3.3	
<b>EMITTER</b>				
DC/Average Forward Input Current	$I_F$	-M	60	mA
		Non-M	100	
Reverse Input Voltage	$V_R$	ALL	3	V
Forward Current - Peak (300µs, 2% Duty Cycle)	$I_F(pk)$	ALL	3	A
LED Power Dissipation @ $T_A = 25^\circ\text{C}$	$P_D$	-M	120	mW
		Non-M	150	
Derate above 25°C		-M	1.41	mW/°C
		Non-M	2.0	
<b>DETECTOR</b>				
Collector Current	$I_C$	ALL	50	mA
Collector-Emitter Voltage	$V_{CEO}$	ALL	30	V
Detector Power Dissipation @ $T_A = 25^\circ\text{C}$	$P_D$	ALL	150	mW
Derate above 25°C		-M	1.76	mW/°C
		Non-M	2.0	

**MCT2  
MCT2200**

**MCT2E  
MCT2201**

**MCT210  
MCT2202**

**MCT271**

**ELECTRICAL CHARACTERISTICS** ( $T_A = 25^\circ\text{C}$  Unless otherwise specified.)

**INDIVIDUAL COMPONENT CHARACTERISTICS**

Parameter	Test Conditions	Symbol	Device	Min	Typ**	Max	Unit
<b>EMITTER</b>							
Input Forward Voltage	$(I_F = 20 \text{ mA})$	$V_F$	MCT2/-M MCT2E/-M MCT271 MCT2200 MCT2201 MCT2202		1.25	1.50	V
	$(T_A = 0-70^\circ\text{C}, I_F = 40 \text{ mA})$		MCT210		1.33		
Reverse Leakage Current	$(V_R = 3.0 \text{ V})$	$I_R$	MCT2/-M MCT2E/-M MCT271 MCT2200 MCT2201 MCT2202		0.001	10	$\mu\text{A}$
	$(T_A = 0-70^\circ\text{C}, V_R = 6.0 \text{ V})$		MCT210				
<b>DETECTOR</b>							
Collector-Emitter Breakdown Voltage	$(I_C = 1.0 \text{ mA}, I_F = 0)$	$BV_{CEO}$	ALL	30	100		V
	$(T_A = 0-70^\circ\text{C})$		MCT210				
Collector-Base Breakdown Voltage	$(I_C = 10 \mu\text{A}, I_F = 0)$	$BV_{CBO}$	MCT2/-M MCT2E/-M MCT271 MCT2200 MCT2201 MCT2202	70	120		V
	$(T_A = 0-70^\circ\text{C})$		MCT210	30			
Emitter-Collector Breakdown Voltage	$(I_E = 100 \mu\text{A}, I_F = 0)$	$BV_{ECO}$	MCT2/-M MCT2E/-M MCT271 MCT2200 MCT2201 MCT2202	7	10		V
	$(T_A = 0-70^\circ\text{C})$		MCT210	6	10		
Collector-Emitter Dark Current	$(V_{CE} = 10 \text{ V}, I_F = 0)$	$I_{CEO}$	ALL		1	50	nA
	$(V_{CE} = 5 \text{ V}, T_A = 0-70^\circ\text{C})$					30	$\mu\text{A}$
Collector-Base Dark Current	$(V_{CB} = 10 \text{ V}, I_F = 0)$	$I_{CBO}$	ALL			20	nA
Capacitance	$(V_{CE} = 0 \text{ V}, f = 1 \text{ MHz})$	$C_{CE}$	ALL		8		pF

\*\* Typical values at  $T_A = 25^\circ\text{C}$

**MCT2**  
**MCT2200**

**MCT2E**  
**MCT2201**

**MCT210**  
**MCT2202**

**MCT271**

<b>TRANSFER CHARACTERISTICS</b> ( $T_A = 25^\circ\text{C}$ Unless otherwise specified.)								
DC Characteristic	Test Conditions	Symbol	Device	Min	Typ**	Max	Unit	
Output Collector Current	$(T_A = 0-70^\circ\text{C})$ $(I_F = 10\text{ mA}, V_{CE} = 5\text{ V})$	CTR	MCT210	150			%	
			MCT2200	20				
	MCT2201		100					
	MCT2202		63		125			
	$(I_F = 10\text{ mA}, V_{CE} = 10\text{ V})$		MCT2	20				
			MCT2-M					
			MCT2E					
$(I_F = 3.2\text{ mA to } 32\text{ mA}, V_{CE} = 0.4\text{ V})$ $(T_A = 0-70^\circ\text{C})$	MCT2E-M							
	MCT271	45		90				
MCT210	50							
Collector-Emitter Saturation Voltage	$(I_C = 2\text{ mA}, I_F = 16\text{ mA})$	$V_{CE(SAT)}$	MCT2			0.4	V	
			MCT2-M					
	MCT2E							
	MCT2E-M							
	MCT271							
	MCT210							
$(I_C = 16\text{ mA}, I_F = 32\text{ mA}, T_A = 0-70^\circ\text{C})$	MCT2200							
$(I_C = 2.5\text{ mA}, I_F = 10\text{ mA})$	MCT2201							
MCT2202								
<b>AC Characteristic</b> Saturated Turn-on Time from 5 V to 0.8 V	$(I_F = 15\text{ mA}, V_{CC} = 5\text{ V}, R_L = 2\text{ k}\Omega)$ $(R_B = \text{Open})$ (Fig. 20)	$t_{on}$	MCT2		1.1			
			MCT2E		1.1			
	$(I_F = 20\text{ mA}, V_{CC} = 5\text{ V}, R_L = 2\text{ k}\Omega)$ $(R_B = 100\text{ k}\Omega)$ (Fig. 20)		MCT2		1.3			
			MCT2E		1.3			
Saturated Turn-off Time from SAT to 2.0 V	$(I_F = 15\text{ mA}, V_{CC} = 5\text{ V}, R_L = 2\text{ k}\Omega)$ $(R_B = \text{Open})$ (Fig. 20)	$t_{off}$	MCT2		50		$\mu\text{s}$	
			MCT2E		50			
	$(I_F = 20\text{ mA}, V_{CC} = 5\text{ V}, R_L = 2\text{ k}\Omega)$ $(R_B = 100\text{ k}\Omega)$ (Fig. 20)		MCT2		20			
			MCT2E		20			
Turn-on Time	$(I_F = 10\text{ mA}, V_{CC} = 10\text{ V}, R_L = 100\ \Omega)$	$t_{on}$	MCT2-M		2			
Turn-off Time	$(I_F = 10\text{ mA}, V_{CC} = 10\text{ V}, R_L = 100\ \Omega)$	$t_{off}$	MCT2-M		2			
			MCT2E-M					
Rise Time	$(I_F = 10\text{ mA}, V_{CC} = 10\text{ V}, R_L = 100\ \Omega)$	$t_r$	MCT2-M		2			
Fall Time	$(I_F = 10\text{ mA}, V_{CC} = 10\text{ V}, R_L = 100\ \Omega)$	$t_f$	MCT2-M		1.5			
			MCT2E-M					

\*\* Typical values at  $T_A = 25^\circ\text{C}$

**MCT2**  
**MCT2200**

**MCT2E**  
**MCT2201**

**MCT210**  
**MCT2202**

**MCT271**

TRANSFER CHARACTERISTICS (Cont.)							
AC Characteristic	Test Conditions	Symbol	Device	Min	Typ**	Max	Unit
Saturated turn-on time	(I <sub>F</sub> = 16 mA, R <sub>L</sub> = 1.9kΩ, V <sub>CC</sub> = 5 V) (Fig. 20)	t <sub>on</sub>	MCT271		1.0		μs
Saturated turn-off time (Approximates a typical TTL interface)		t <sub>off</sub>			48		
Saturated turn-on time	(I <sub>F</sub> = 16 mA, R <sub>L</sub> = 4.7kΩ, V <sub>CC</sub> = 5 V) (Fig. 20)	t <sub>on</sub>			1.0		
Saturated turn-off time (Approximates a typical low power TTL interface)		t <sub>off</sub>			98		
Saturated rise time	(I <sub>F</sub> = 16 mA, R <sub>L</sub> = 560Ω, V <sub>CC</sub> = 5 V) (Fig. 20, 21)	t <sub>r</sub>	MCT210		1.0		
Saturated fall time		t <sub>f</sub>			11		
Saturated propagation delay - high to low	(I <sub>F</sub> = 16 mA, R <sub>L</sub> = 2.7kΩ) (Fig. 20, 21)	T <sub>PD (HL)</sub>			1.0		
Saturated propagation delay - low to high		T <sub>PD (LH)</sub>			50		
Non-saturated turn on time	(I <sub>C</sub> = 2 mA, V <sub>CC</sub> = 10 V, R <sub>L</sub> = 100Ω) (Fig. 20)	T <sub>ON</sub>	MCT2200		2	10	
Non-saturated turn off time		T <sub>OFF</sub>	MCT2201 MCT2202		2	10	
Non-saturated rise time	(I <sub>C</sub> = 2 mA, V <sub>CC</sub> = 5 V, R <sub>L</sub> = 100Ω) (Fig. 20)	t <sub>r</sub>	MCT210		2		
Non-saturated fall time		t <sub>f</sub>			2		
Non-saturated turn-on time	(I <sub>C</sub> = 2 mA, V <sub>CC</sub> = 5 V, R <sub>L</sub> = 100Ω) (Fig. 20)	t <sub>on</sub>	MCT271		2	7	
Non-saturated turn-off time		t <sub>off</sub>			2	7	

\*\* Typical values at T<sub>A</sub> = 25°C

**MCT2**  
**MCT2200**

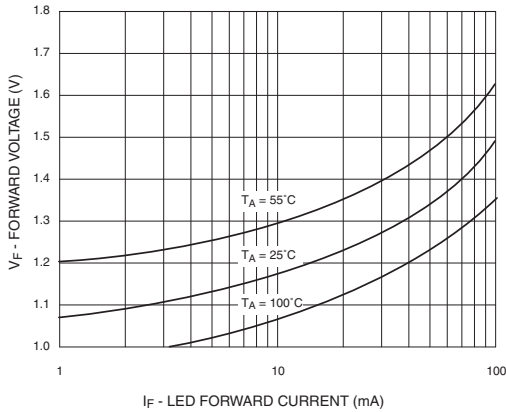
**MCT2E**  
**MCT2201**

**MCT210**  
**MCT2202**

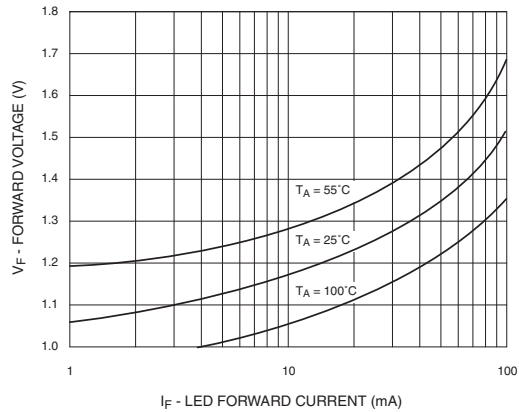
**MCT271**

**TYPICAL PERFORMANCE CURVES**

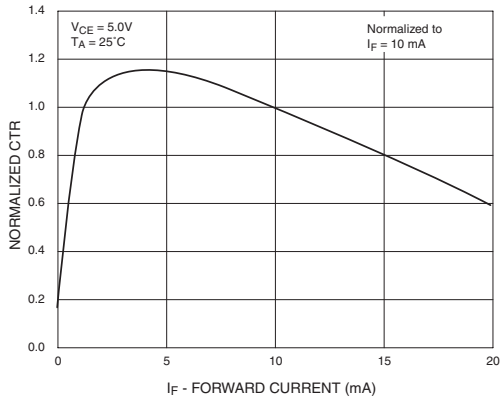
**Fig. 1 LED Forward Voltage vs. Forward Current (Black Package)**



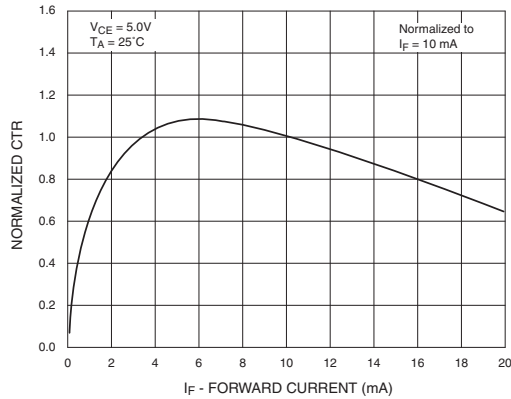
**Fig. 2 LED Forward Voltage vs. Forward Current (White Package)**



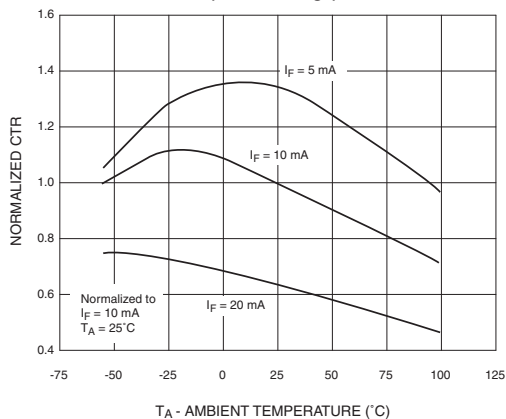
**Fig.3 Normalized CTR vs. Forward Current (Black Package)**



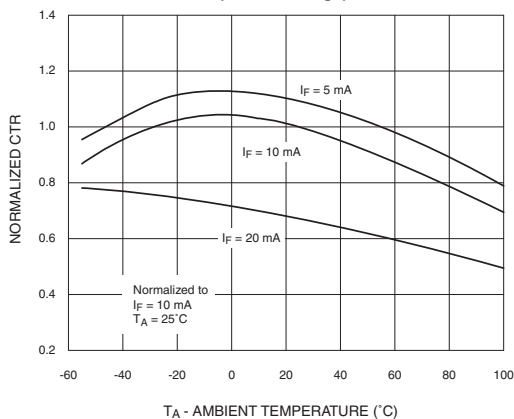
**Fig.4 Normalized CTR vs. Forward Current (White Package)**



**Fig. 5 Normalized CTR vs. Ambient Temperature (Black Package)**



**Fig. 6 Normalized CTR vs. Ambient Temperature (White Package)**



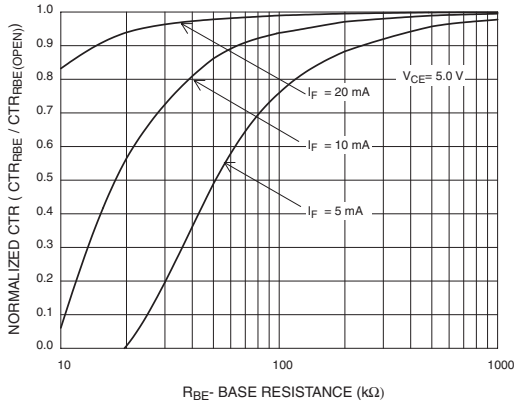
**MCT2**  
**MCT2200**

**MCT2E**  
**MCT2201**

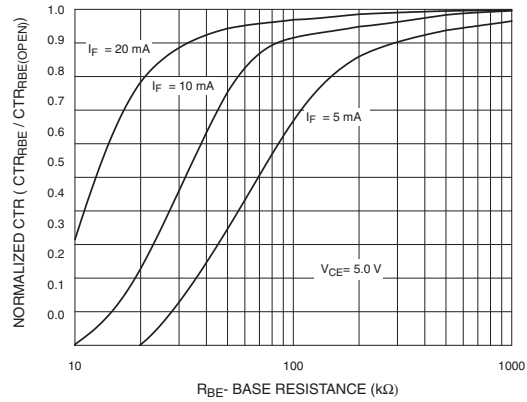
**MCT210**  
**MCT2202**

**MCT271**

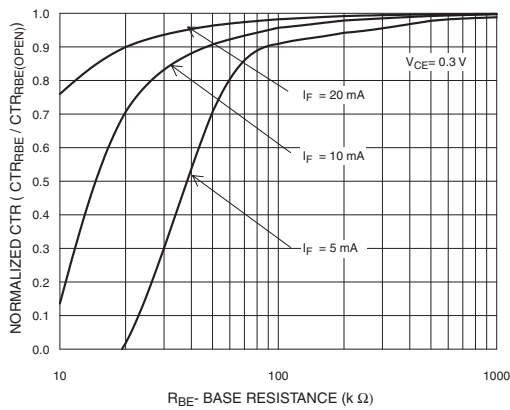
**Fig. 7 CTR vs. RBE (Unsaturated)**  
**(Black Package)**



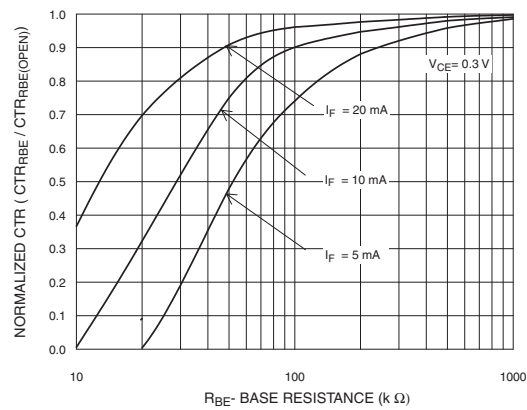
**Fig. 8 CTR vs. RBE (Unsaturated)**  
**(White Package)**



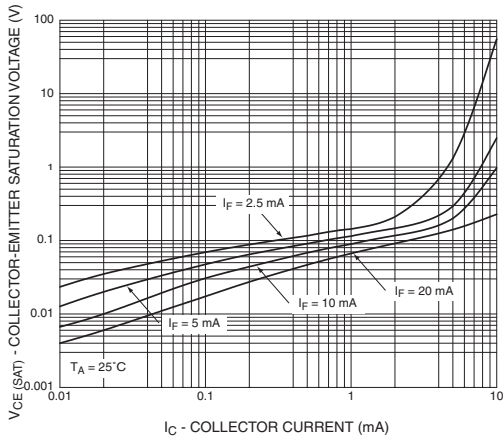
**Fig. 9 CTR vs. RBE (Saturated)**  
**(Black Package)**



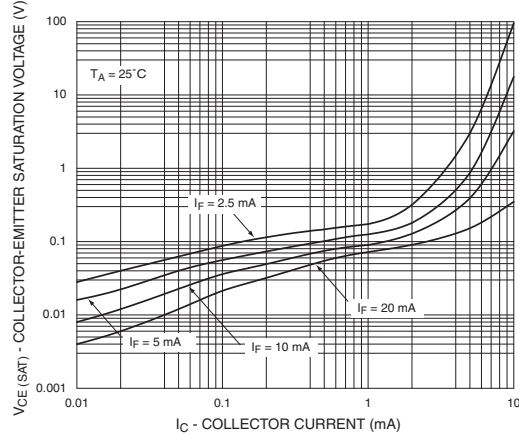
**Fig. 10 CTR vs. RBE (Saturated)**  
**(White Package)**



**Fig. 11 Collector-Emitter Saturation Voltage vs. Collector Current**  
**(Black Package)**



**Fig. 12 Collector-Emitter Saturation Voltage vs. Collector Current**  
**(White Package)**



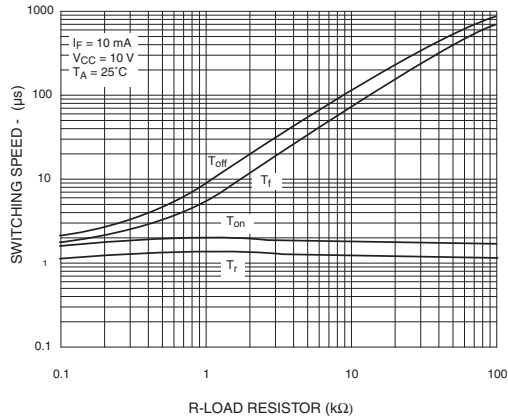
**MCT2**  
**MCT2200**

**MCT2E**  
**MCT2201**

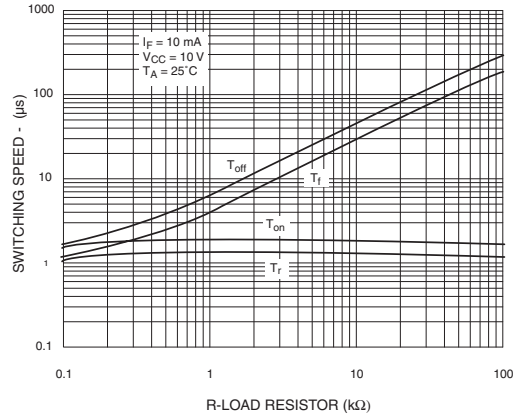
**MCT210**  
**MCT2202**

**MCT271**

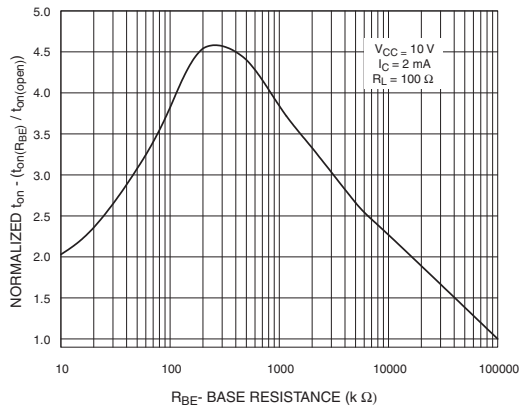
**Fig. 13 Switching Speed vs. Load Resistor (Black Package)**



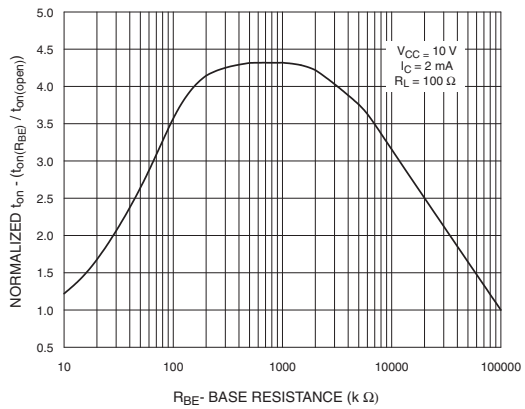
**Fig. 14 Switching Speed vs. Load Resistor (White Package)**



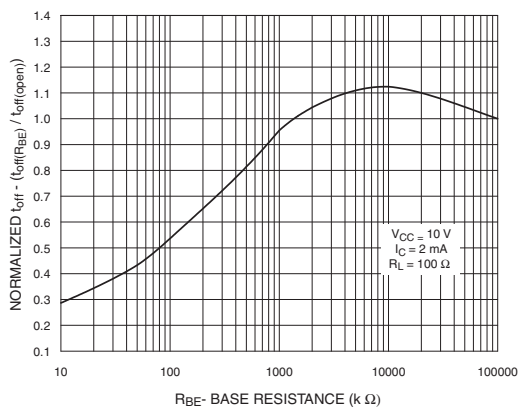
**Fig. 15 Normalized  $t_{on}$  vs.  $R_{BE}$  (Black Package)**



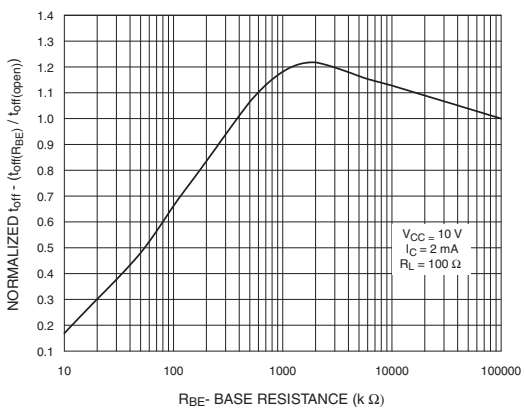
**Fig. 16 Normalized  $t_{on}$  vs.  $R_{BE}$  (White Package)**



**Fig. 17 Normalized  $t_{off}$  vs.  $R_{BE}$  (Black Package)**



**Fig. 18 Normalized  $t_{off}$  vs.  $R_{BE}$  (White Package)**





**MCT2**  
**MCT2200**

**MCT2E**  
**MCT2201**

**MCT210**  
**MCT2202**

**MCT271**

Fig. 19 Dark Current vs. Ambient Temperature

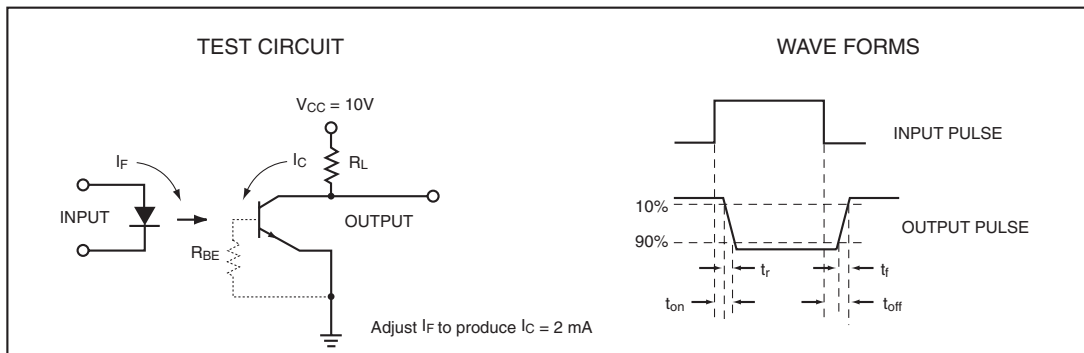
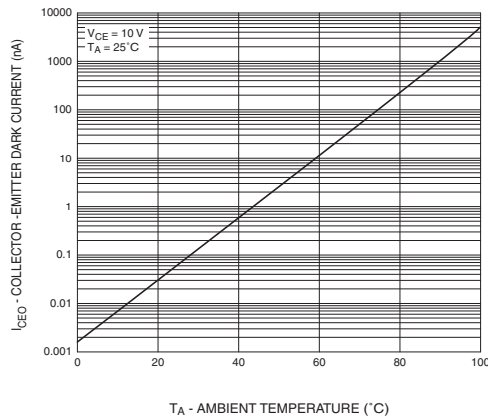


Figure 20. Switching Time Test Circuit and Waveforms

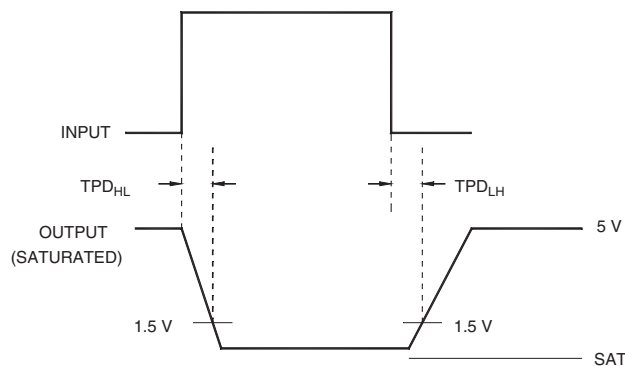


Figure 21. Switching Time Waveforms (MCT210)

**MCT2**  
**MCT2200**

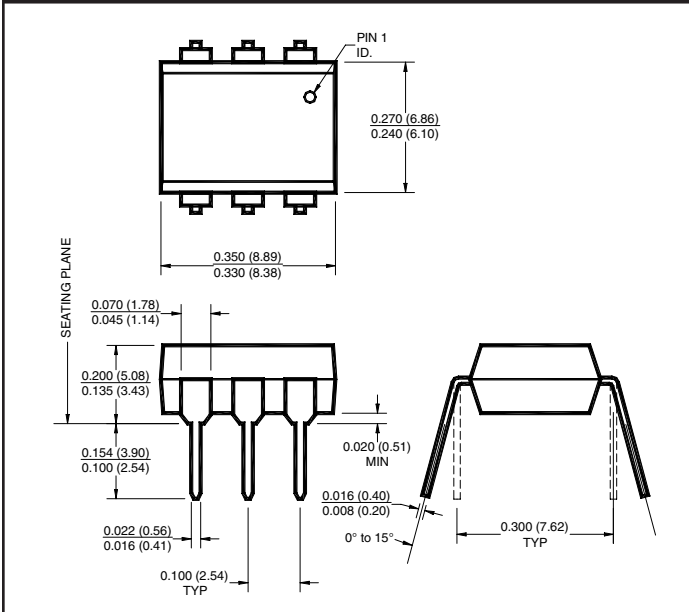
**MCT2E**  
**MCT2201**

**MCT210**  
**MCT2202**

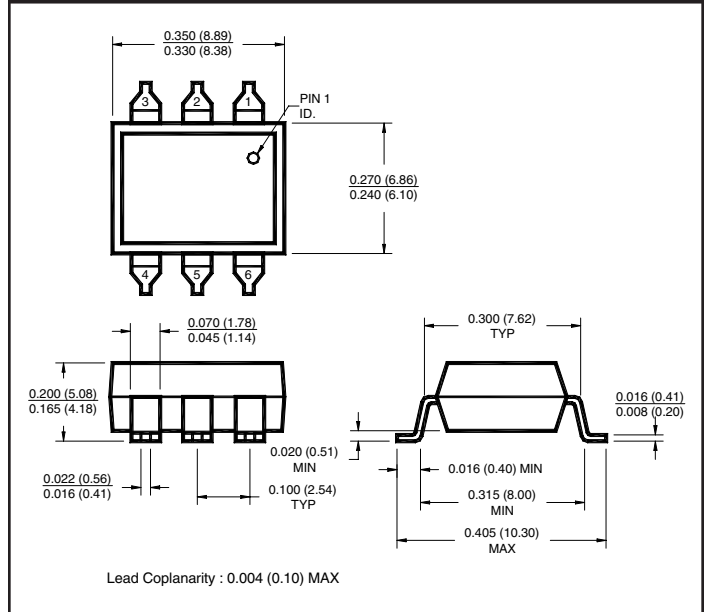
**MCT271**

**Black Package (No -M Suffix)**

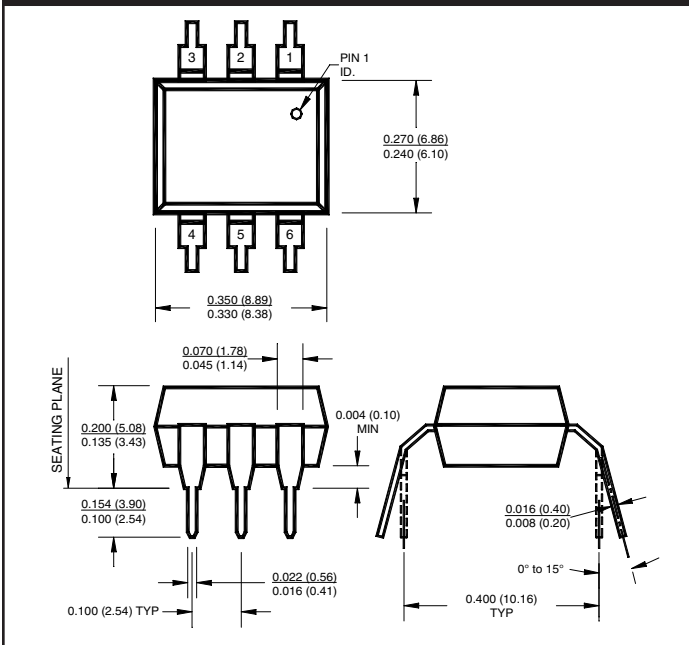
**Package Dimensions (Through Hole)**



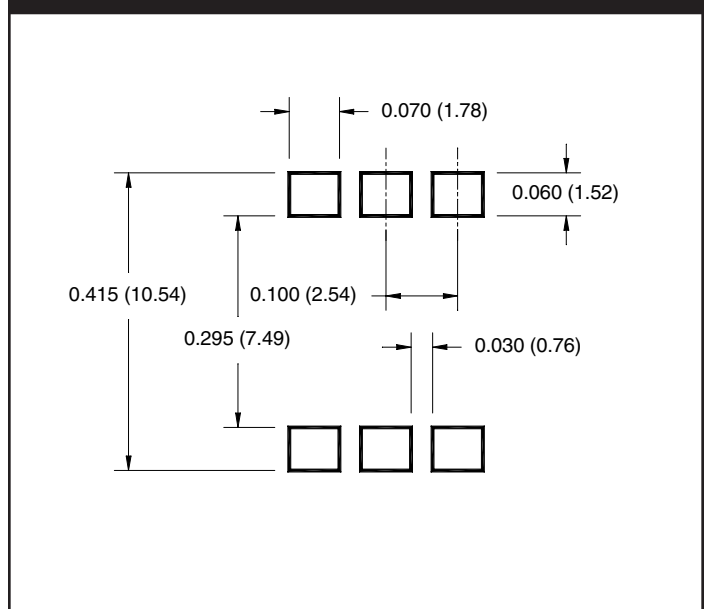
**Package Dimensions (Surface Mount)**



**Package Dimensions (0.4" Lead Spacing)**



**Recommended Pad Layout for Surface Mount Leadform**



**NOTE**

All dimensions are in inches (millimeters)

**MCT2**  
**MCT2200**

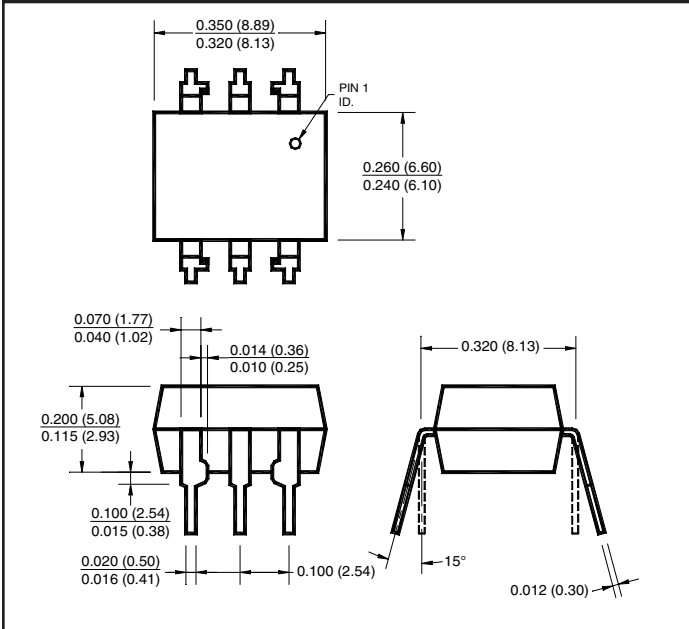
**MCT2E**  
**MCT2201**

**MCT210**  
**MCT2202**

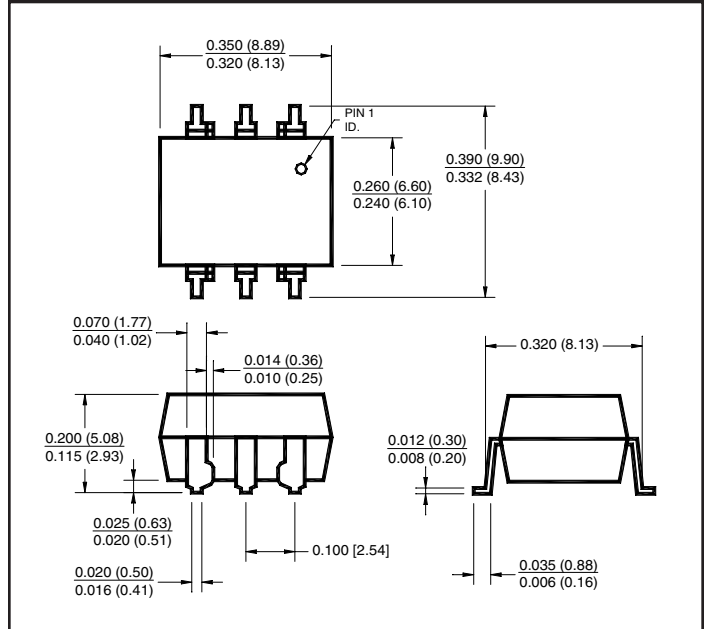
**MCT271**

**White Package (-M Suffix)**

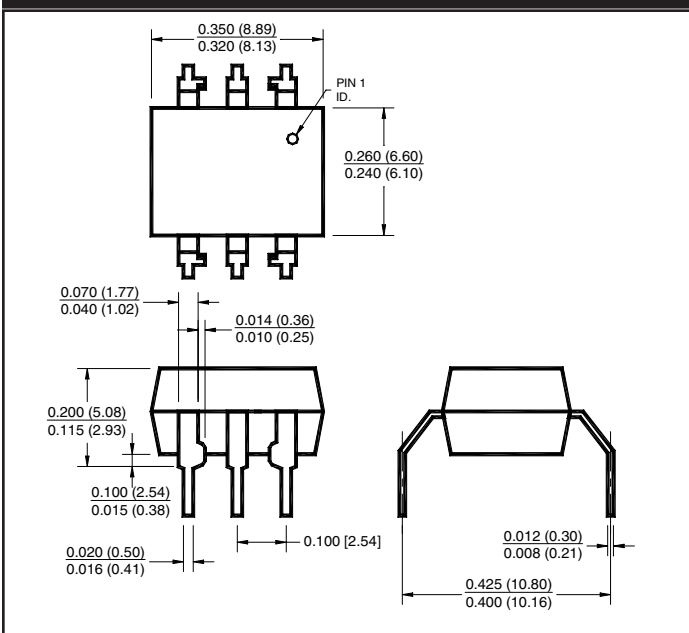
**Package Dimensions (Through Hole)**



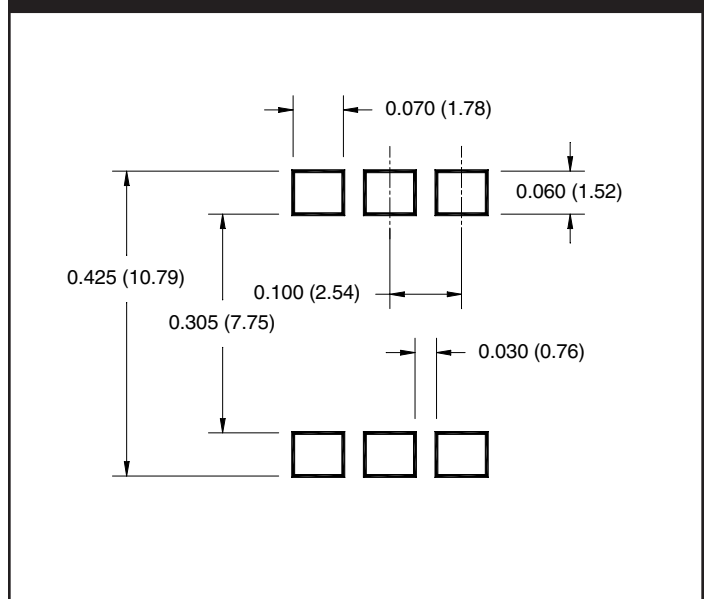
**Package Dimensions (Surface Mount)**



**Package Dimensions (0.4" Lead Spacing)**



**Recommended Pad Layout for Surface Mount Leadform**



**NOTE**

All dimensions are in inches (millimeters)

**MCT2**  
**MCT2200**

**MCT2E**  
**MCT2201**

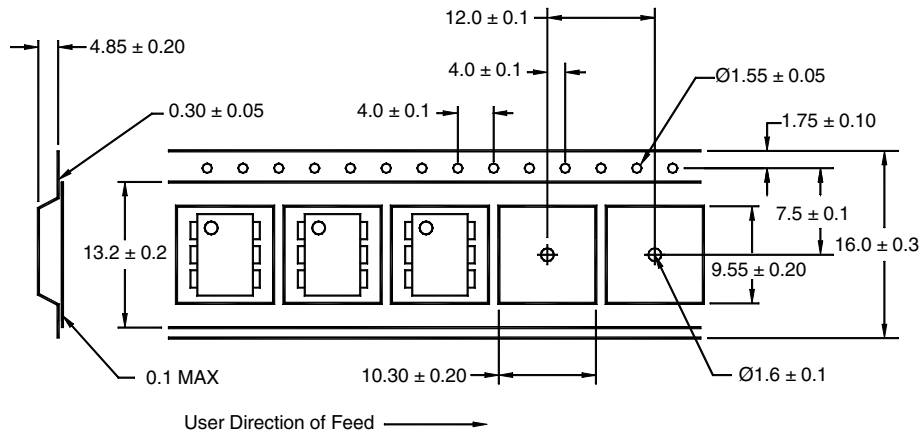
**MCT210**  
**MCT2202**

**MCT271**

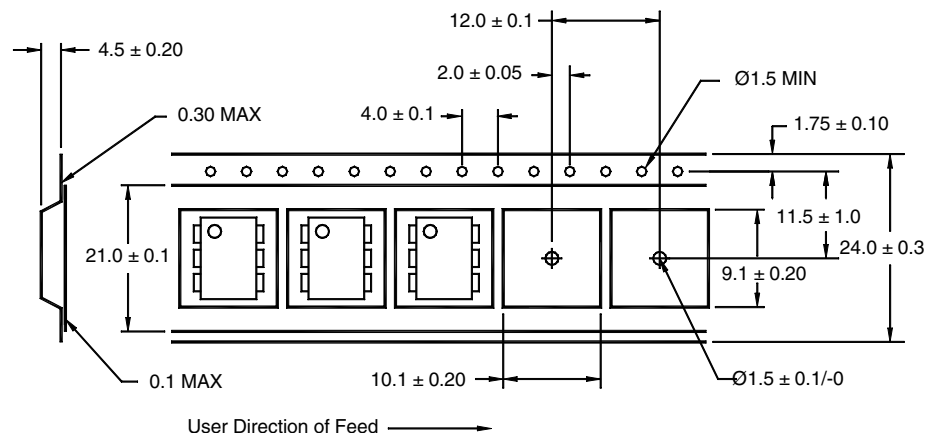
**ORDERING INFORMATION**

Black Package (No Suffix)	White Package (-m Suffix)	Description
<b>Order Entry Identifier</b>		
.S	S	Surface Mount Lead Bend
.SD	SR2	Surface Mount; Tape and reel
.W	T	0.4" Lead Spacing
.300	V	VDE 0884
.300W	TV	VDE 0884, 0.4" Lead Spacing
.3S	SV	VDE 0884, Surface Mount
.3SD	SR2V	VDE 0884, Surface Mount, Tape & Reel

**QT Carrier Tape Specifications ("D" Taping Orientation) (Black Package, No Suffix)**



**QT Carrier Tape Specifications ("D" Taping Orientation) (White Package, -m Suffix)**



---

**MCT2**  
**MCT2200**

**MCT2E**  
**MCT2201**

**MCT210**  
**MCT2202**

**MCT271**

---

**DISCLAIMER**

FAIRCHILD SEMICONDUCTOR RESERVES THE RIGHT TO MAKE CHANGES WITHOUT FURTHER NOTICE TO ANY PRODUCTS HEREIN TO IMPROVE RELIABILITY, FUNCTION OR DESIGN. FAIRCHILD DOES NOT ASSUME ANY LIABILITY ARISING OUT OF THE APPLICATION OR USE OF ANY PRODUCT OR CIRCUIT DESCRIBED HEREIN; NEITHER DOES IT CONVEY ANY LICENSE UNDER ITS PATENT RIGHTS, NOR THE RIGHTS OF OTHERS.

**LIFE SUPPORT POLICY**

FAIRCHILD'S PRODUCTS ARE NOT AUTHORIZED FOR USE AS CRITICAL COMPONENTS IN LIFE SUPPORT DEVICES OR SYSTEMS WITHOUT THE EXPRESS WRITTEN APPROVAL OF THE PRESIDENT OF FAIRCHILD SEMICONDUCTOR CORPORATION. As used herein:

1. Life support devices or systems are devices or systems which, (a) are intended for surgical implant into the body, or (b) support or sustain life, and (c) whose failure to perform when properly used in accordance with instructions for use provided in labeling, can be reasonably expected to result in a significant injury of the user.
2. A critical component in any component of a life support device or system whose failure to perform can be reasonably expected to cause the failure of the life support device or system, or to affect its safety or effectiveness.

This datasheet has been download from:

[www.datasheetcatalog.com](http://www.datasheetcatalog.com)

Datasheets for electronics components.