

FUJI POWER MOSFET Super FAP-G Series

N-CHANNEL SILICON POWER MOSFET

■ Features

- High speed switching
- Low on-resistance
- No secondary breakdown
- Low driving power
- Avalanche-proof

■ Applications

- Switching regulators
- UPS (Uninterruptible Power Supply)
- DC-DC converters

■ Maximum ratings and characteristic Absolute maximum ratings

● (Tc=25°C unless otherwise specified)

Item	Symbol	Ratings	Unit
Drain-source voltage	V _{DS}	250	V
	V _{D SX} *5	220	V
Continuous drain current	I _D	±37	A
Pulsed drain current	I _{D(puls)}	±148	A
Gate-source voltage	V _{GS}	±30	V
Repetitive or non-repetitive	I _{AR} *2	37	A
Maximum Avalanche Energy	E _{AS} *1	251.9	mJ
Maximum Drain-Source dV/dt	dV _{DS} /dt *4	20	kV/μs
Peak Diode Recovery dV/dt	dV/dt *3	5	kV/μs
Max. power dissipation	P _D	T _a =25°C	2.02
		T _c =25°C	270
Operating and storage temperature range	T _{ch}	+150	°C
	T _{stg}	-55 to +150	°C

*1 L=309μH, V_{CC}=48V, See to Avalanche Energy Graph *2 T_{ch}≤150°C

*3 I_F≤I_D, -di/dt=50A/μs, V_{CC}≤BV_{DSS}, T_{ch}≤150°C *4 V_{DS}≤250V *5 V_{GS}=-30V

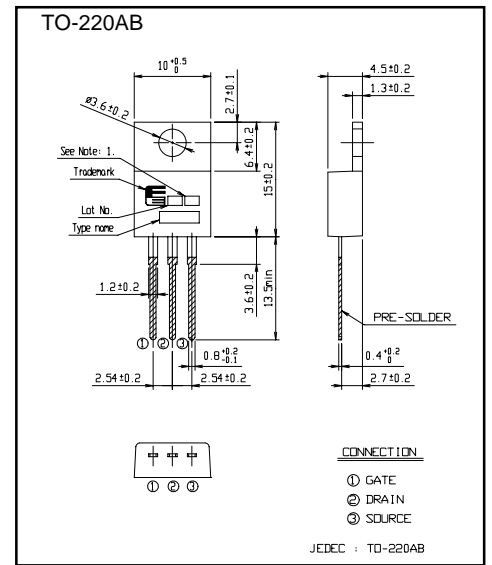
● Electrical characteristics (T_c =25°C unless otherwise specified)

Item	Symbol	Test Conditions	Min.	Typ.	Max.	Units
Drain-source breakdown voltage	V _{(BR)DSS}	I _D =250μA V _{GS} =0V	250			V
Gate threshold voltage	V _{GS(th)}	I _D = 250μA V _{DS} =V _{GS}	3.0		5.0	V
Zero gate voltage drain current	I _{DSS}	V _{DS} =250V V _{GS} =0V			25	μA
		V _{DS} =200V V _{GS} =0V			250	
Gate-source leakage current	I _{GSS}	V _{GS} =±30V V _{DS} =0V		10	100	nA
Drain-source on-state resistance	R _{DS(on)}	I _D =12.5A V _{GS} =10V		75	100	mΩ
Forward transconductance	g _{fs}	I _D =12.5A V _{DS} =25V	8	16		S
Input capacitance	C _{iss}	V _{DS} =75V		2000	3000	pF
Output capacitance	C _{oss}	V _{GS} =0V		220	330	
Reverse transfer capacitance	C _{rss}	f=1MHz		15	30	
Turn-on time t _{on}	td(on)	V _{CC} =72V I _D =12.5A		20	30	ns
	t _r	V _{GS} =10V		30	45	
Turn-off time t _{off}	td(off)	R _{GS} =10 Ω		60	90	
	t _f			20	30	
Total Gate Charge	Q _G	V _{CC} =72V		44	66	nC
Gate-Source Charge	Q _{GS}	I _D =12A		14	21	
Gate-Drain Charge	Q _{GD}	V _{GS} =10V		16	24	
Avalanche capability	I _{AV}	L=309μH T _{ch} =25°C	37			A
Diode forward on-voltage	V _{SD}	I _F =25A V _{GS} =0V T _{ch} =25°C		1.10	1.65	V
Reverse recovery time	t _{rr}	I _F =25A V _{GS} =0V		0.45		μs
Reverse recovery charge	Q _{rr}	-di/dt=100A/μs T _{ch} =25°C		1.5		μC

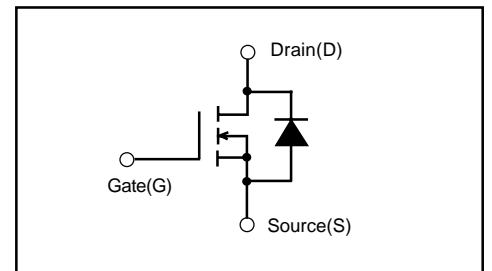
● Thermal characteristics

Item	Symbol	Test Conditions	Min.	Typ.	Max.	Units
Thermal resistance	R _{th(ch-c)}	channel to case			0.463	°C/W
	R _{th(ch-a)}	channel to ambient			62.0	°C/W

■ Outline Drawings [mm]



■ Equivalent circuit schematic



■ Characteristics

