

Silicon PNP Power Transistors

2SA968 2SA968A 2SA968B

DESCRIPTION

- With TO-220 package
- Complement to type 2SC2238
- High breakdown votage

APPLICATIONS

- Power amplifier applications
- Driver stage amplifier applications

PINNING

PIN	DESCRIPTION
1	Emitter
2	Collector;connected to mounting base
3	Base

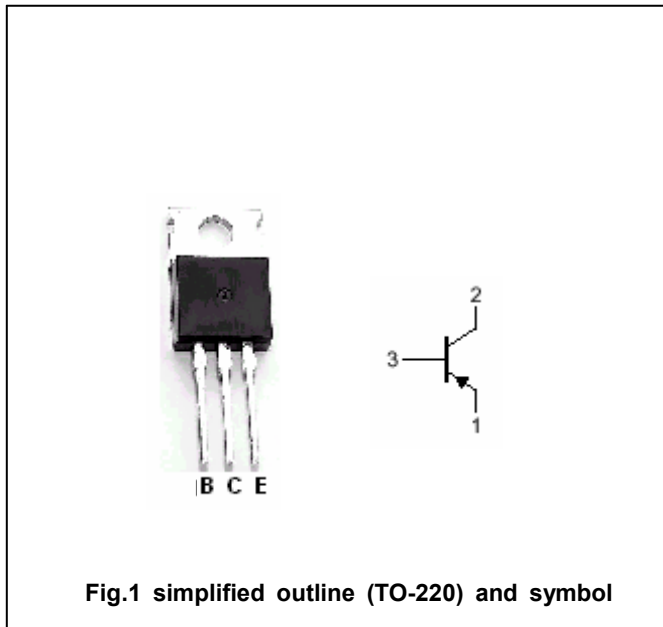


Fig.1 simplified outline (TO-220) and symbol

Absolute maximum ratings(Ta=25□)

SYMBOL	PARAMETER	CONDITIONS	VALUE	UNIT
V _{CBO}	Collector-base voltage	2SA968	-160	V
		2SA968A	-180	
		2SA968B	-200	
V _{CEO}	Collector-emitter voltage	2SA968	-160	V
		2SA968A	-180	
		2SA968B	-200	
V _{EBO}	Emitter-base voltage	Open collector	-5	V
I _C	Collector current		-1.5	A
I _E	Emitter current		1.5	A
P _T	Total power dissipation	T _C =25□	25	W
T _j	Junction temperature		150	□
T _{stg}	Storage temperature		-55~150	□

Silicon PNP Power Transistors

2SA968 2SA968A 2SA968B

CHARACTERISTICS

T_j=25°C unless otherwise specified

SYMBOL	PARAMETER	CONDITIONS	MIN	TYP.	MAX	UNIT
V _{(BR)CEO}	Collector-emitter breakdown voltage	2SA968	-160			V
		2SA968A	-180			
		2SA968B	-200			
V _{(BR)EBO}	Emitter-base breakdown voltage	I _E =-1mA; I _C =0	-5			V
V _{CEsat}	Collector-emitter saturation voltage	I _C =-0.5A; I _B =-50mA			-1.5	V
V _{BE}	Base-emitter on voltage	I _C =-500mA; V _{CE} =-5V			-1.0	V
I _{CBO}	Collector cut-off current	V _{CB} =-160V; I _E =0			-1.0	μA
I _{EBO}	Emitter cut-off current	V _{EB} =-5V; I _C =0			-1.0	μA
h _{FE}	DC current gain	I _C =-100mA; V _{CE} =-5V	70		240	
C _{ob}	Output capacitance	I _E =0; V _{CB} =-10V, f=1MHz		30		pF
f _T	Transition frequency	I _C =-100mA; V _{CE} =10V		100		MHz

◆ h_{FE} Classifications

O	Y
70-140	120-240

Silicon PNP Power Transistors

2SA968 2SA968A 2SA968B

PACKAGE OUTLINE

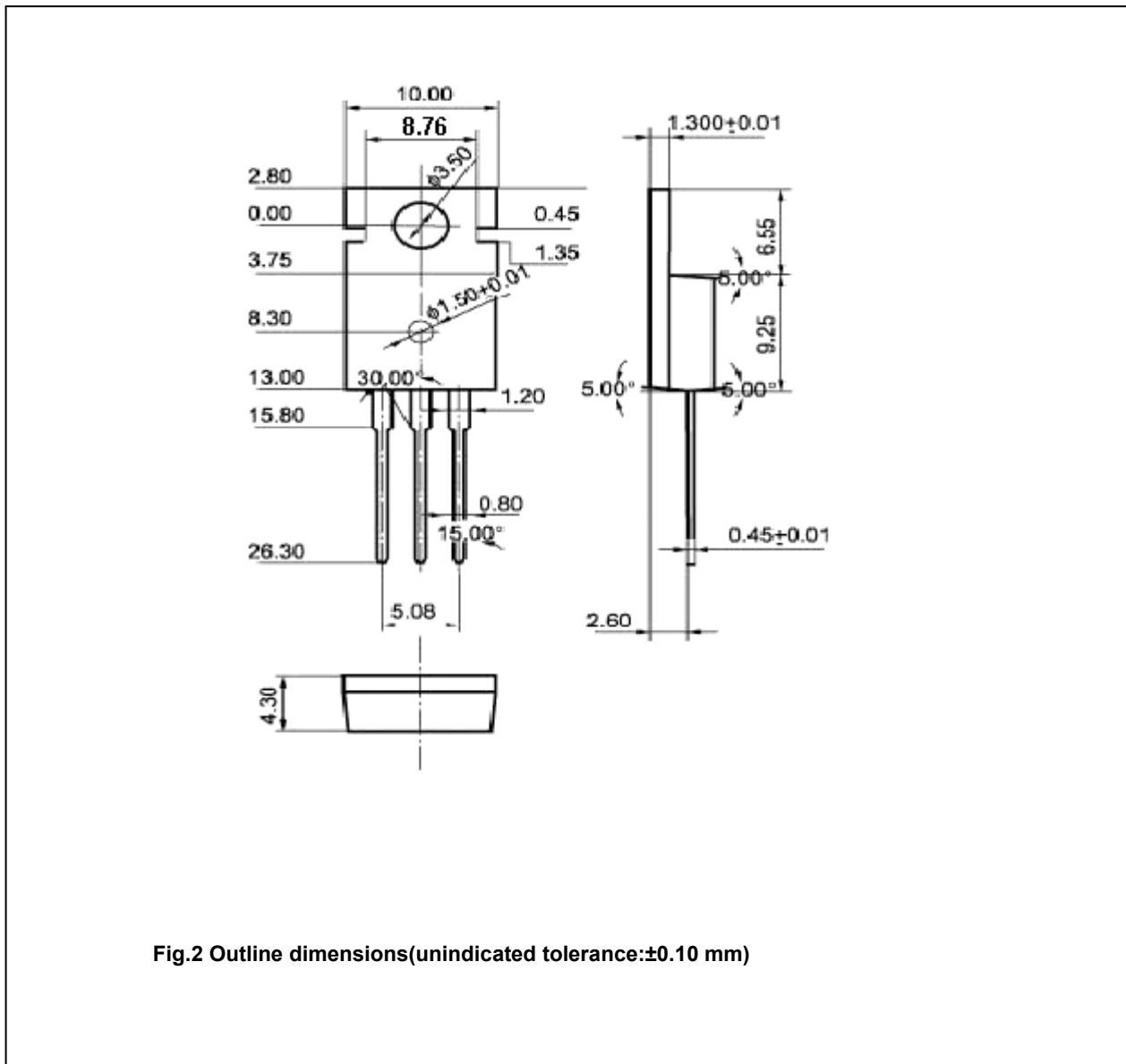


Fig.2 Outline dimensions(unindicated tolerance:±0.10 mm)