

Zener Diodes

GZF3V3C - GZF200C

Features

- Silicon planar based design for zener die
- Low leakage current
- Low profile surface mountable package
- High temperature solder ability for terminals: 260°C @ 10s
- RoHS compliant with Halogen-free



Mechanical Data

- Case: SOD-123FL molded plastic
- Molding compound: UL flammability classification rating 94V-0
- Polarity: Color band denotes cathode end

Maximum Ratings (@ T_A = 25°C unless otherwise specified)

Parameter	Symbol	Value	Unit
Power Dissipation @ T _A = 25°C	P _{TOT}	1	W
Forward Voltage @ I _F = 200mA	V _F	1.2	V
Maximum Thermal Resistance (Junction-to-Ambient)	R _{θJA}	180	°C/W
Junction Temperature Range	T _J	-55 ~ +150	°C
Storage Temperature Range	T _{STG}	-55 ~ +150	°C

Zener Diodes

GZF3V3C - GZF200C

Electrical Characteristics (@T_A = 25°C unless otherwise specified)

Type	Device Marking Code	Zener Voltage		Test Curren	Differential Resistance		Temperature Coefficient		Maximum Reverse Leakage	
		V _{Z@I_{ZT}}		@I _{ZT}	rdif @I _{ZT}		V _{Z@I_Z}		I _R	V _R
		V		mA	Ω		%/ ^o C		μA	V
		Min	Max		Typ	Max	Min	Max	Max	
GZF3V3C	W4	3.1	3.5	100	4.0	8.0	-0.14	-0.04	100	1.0
GZF3V4C	XF	3.2	3.6	100	4.0	8.0	-0.14	-0.04	100	1.0
GZF3V6C	W5	3.4	3.8	100	4.0	8.0	-0.14	-0.04	100	1.0
GZF3V9C	W6	3.7	4.1	100	4.0	8.0	-0.14	-0.04	50	1.0
GZF4V3C	W7	4.0	4.6	100	4.0	7.0	-0.12	-0.02	25	1.0
GZF4V7C	W8	4.4	5.0	100	3.0	7.0	-0.1	0	10	1.0
GZF5V1C	W9	4.8	5.4	100	3.0	6.0	-0.08	0.2	5.0	1.0
GZF5V6C	WA	5.2	6.0	100	2.0	4.0	-0.04	0.04	10	2.0
GZF6V2C	WB	5.8	6.6	100	2.0	3.0	-0.01	0.06	10	2.0
GZF6V8C	WC	6.4	7.2	100	1.0	3.0	0	0.07	10	3.0
GZF7V5C	WD	7.0	7.9	100	1.0	2.0	0	0.07	50	3.0
GZF8V2C	WE	7.7	8.7	100	1.0	2.0	0.03	0.08	10	3.0
GZF9V1C	WF	8.5	9.6	50	2.0	4.0	0.03	0.08	10	5.0
GZF10C	WG	9.4	10.6	50	2.0	4.0	0.05	0.09	7.0	7.5
GZF11C	WH	10.4	11.6	50	4.0	7.0	0.05	0.1	4.0	8.2
GZF12C	WI	11.4	12.7	50	4.0	7.0	0.05	0.1	3.0	9.0
GZF13C	WK	12.4	14.4	50	5.0	10	0.05	0.1	2.0	10
GZF15C	WL	13.8	15.6	50	5.0	10	0.05	0.1	1.0	11
GZF16C	WM	15.3	17.1	25	6.0	15	0.06	0.11	1.0	12
GZF17C	WJ	16.5	17.8	25	6.0	15	0.06	0.11	1.0	13
GZF18C	WN	16.8	19.1	25	6.0	15	0.06	0.11	1.0	13
GZF20C	WO	18.8	21.2	25	6.0	15	0.06	0.11	1.0	15
GZF22C	WP	20.8	23.3	25	6.0	15	0.06	0.11	1.0	16
GZF24C	WR	22.8	25.6	25	7.0	15	0.06	0.11	1.0	18
GZF27C	WS	25.1	28.9	25	7.0	15	0.06	0.11	1.0	20

Zener Diodes

GZF3V3C - GZF200C

Type	Device Marking Code	Zener Voltage		Test Curren	Differential Resistance		Temperature Coefficient		Maximum Reverse Leakage	
		V _{Z@I_{ZT}}		@I _{ZT}	rdif @I _{ZT}		V _{Z@I_Z}		I _R	V _R
		V		mA	Ω		%/ ^o C		μA	V
		Min	Max		Typ	Max	Min	Max	Max	
GZF30C	WT	28	32	25	8.0	15	0.06	0.11	1.0	22
GZF33C	WU	31	35	25	8.0	15	0.06	0.11	1.0	24
GZF36C	WW	34	38	10	21	40	0.06	0.11	1.0	27
GZF39C	WX	37	41	10	21	40	0.06	0.11	1.0	30
GZF43C	WY	40	46	10	24	45	0.07	0.12	1.0	33
GZF47C	WZ	44	50	10	24	45	0.07	0.12	1.0	36
GZF51C	X1	48	54	10	25	60	0.07	0.12	1.0	39
GZF56C	X2	52	60	10	25	60	0.07	0.12	1.0	43
GZF62C	X3	58	66	10	25	80	0.08	0.13	1.0	47
GZF68C	X4	64	72	10	25	80	0.08	0.13	1.0	51
GZF75C	X5	70	79	10	30	100	0.08	0.13	1.0	56
GZF82C	X6	77	87	10	30	100	0.08	0.13	1.0	62
GZF91C	X7	85	96	5.0	60	200	0.09	0.13	1.0	68
GZF100C	X8	94	106	5.0	60	200	0.09	0.13	1.0	75
GZF110C	X9	105	115	5.0	60	200	0.09	0.13	1.0	83
GZF120C	XA	115	125	5.0	60	200	0.09	0.13	1.0	90
GZF130C	XB	125	135	5.0	60	200	0.09	0.13	1.0	98
GZF150C	XD	144	156	5.0	60	200	0.09	0.13	1.0	113
GZF160C	XG	154	166	5.0	60	200	0.09	0.13	1.0	121
GZF180C	XH	173	187	5.0	60	200	0.09	0.13	1.0	136
GZF200C	XE	192	208	5.0	60	200	0.09	0.13	1.0	151

Zener Diodes

GZF3V3C - GZF200C

Ratings and Characteristic Curves (@ $T_A = 25^\circ\text{C}$ unless otherwise noted)

FIG.1 – TYPICAL FORWARD CHARACTERISTIC

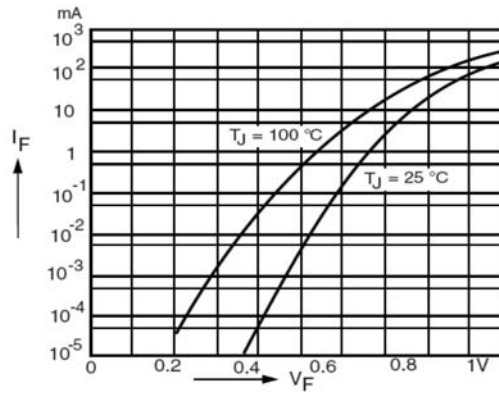
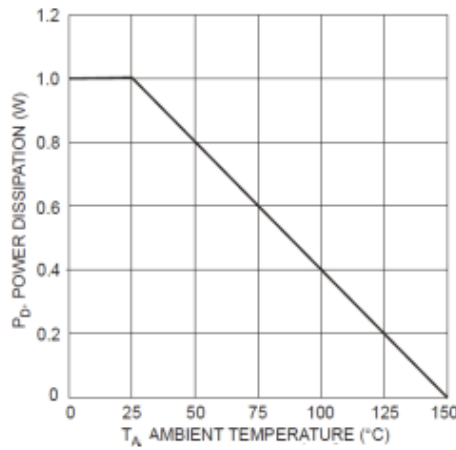


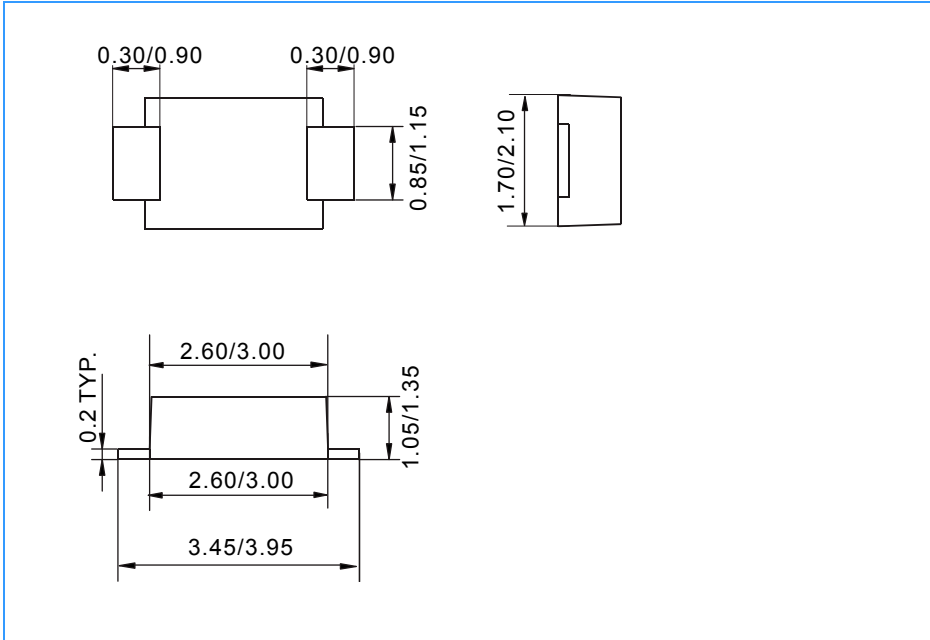
FIG.2 – ADMISSIBLE POWER DISSIPATION VERSUS AMBIENT TEMPERATURE



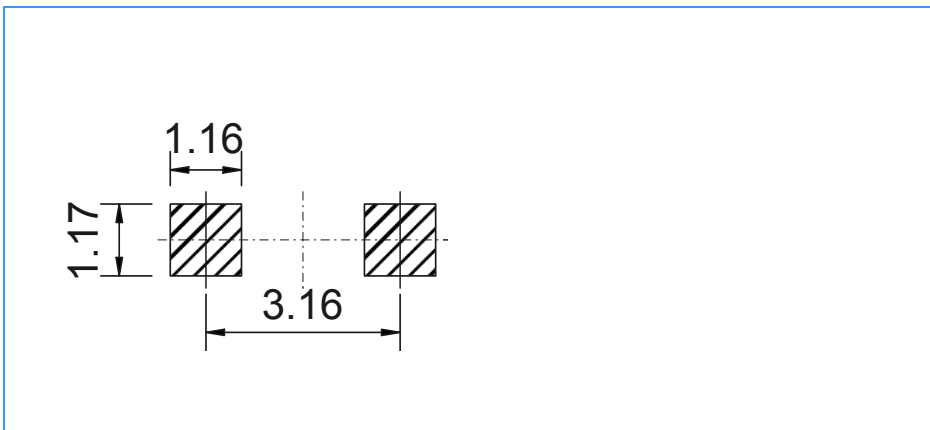
Zener Diodes

GZF3V3C - GZF200C

Package Outline Dimensions (Unit: mm)



Mounting Pad Layout (Unit: mm)



Ordering Information

Part Number	Package	Shipping Quantity
GZF3V3C - GZF200C	SOD-123FL	10000 / Tape & Reel

Zener Diodes**GZF3V3C - GZF200C****Change Record**

Revision	Date	Modification
1.0	2020-06-01	First release.
1.1	2020-11-12	Package Outline Dimensions Optimize