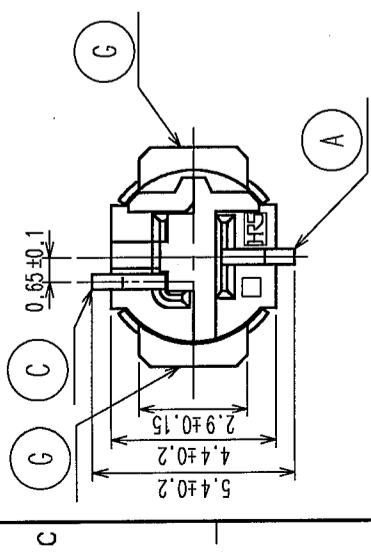
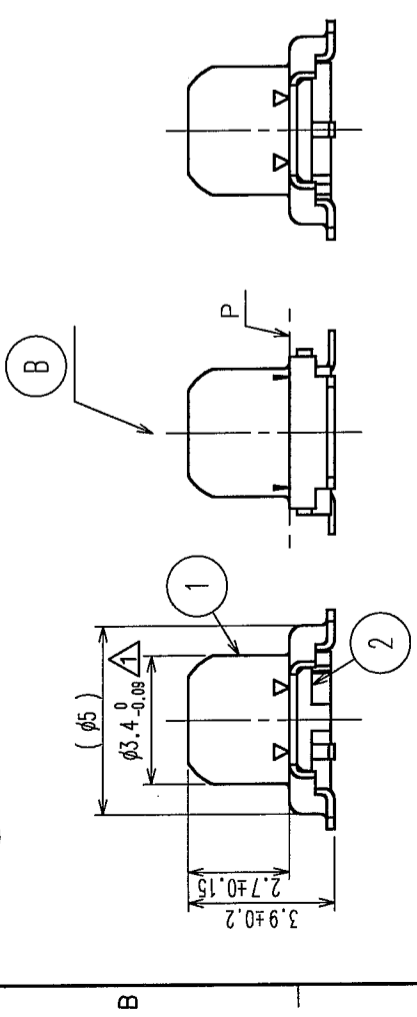
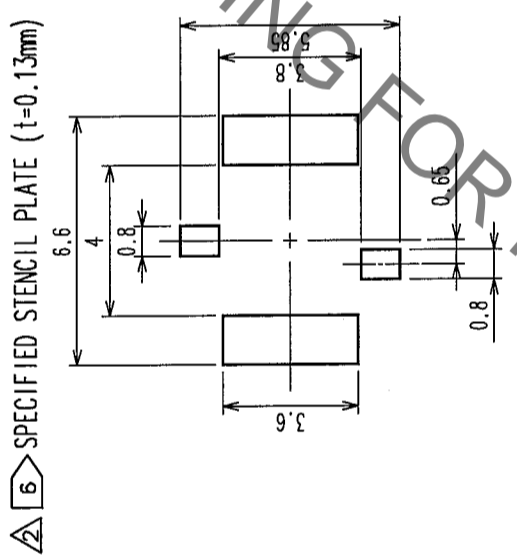
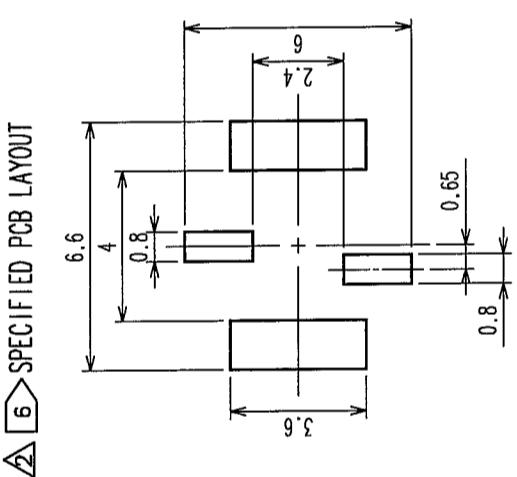
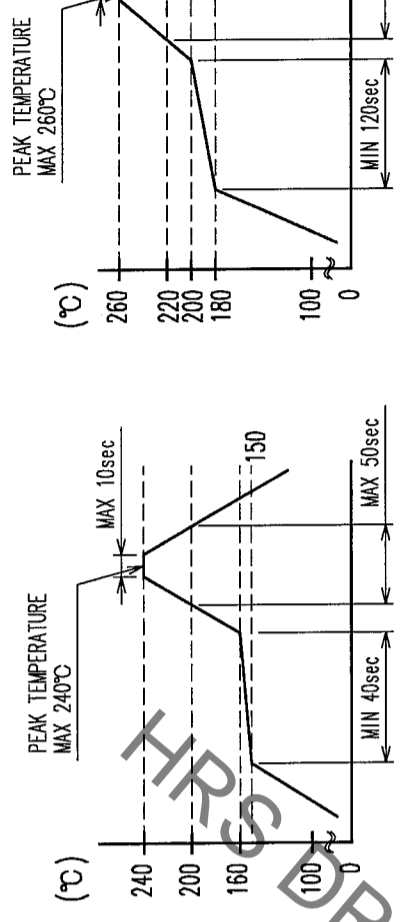
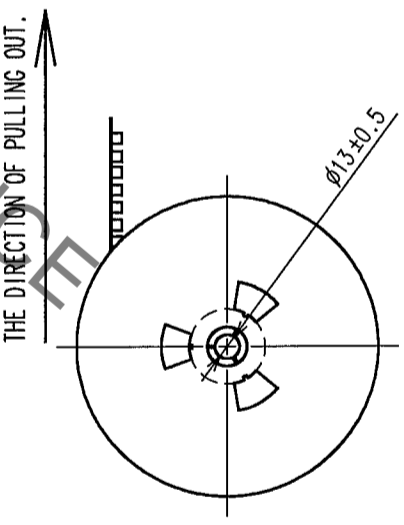
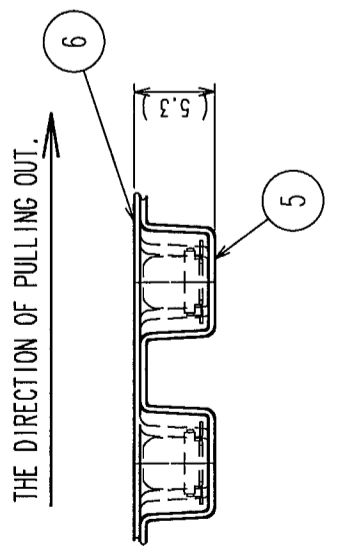
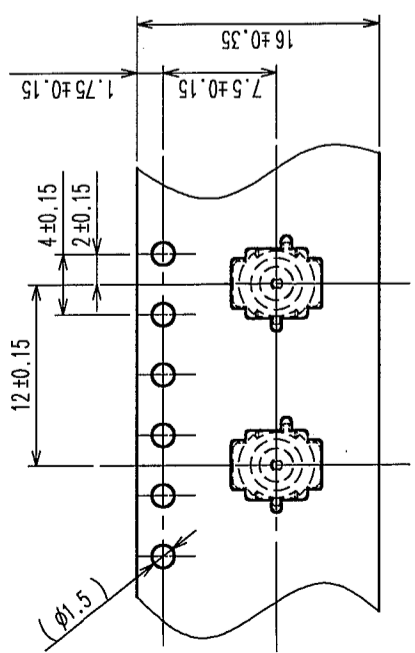


COUNT	DESCRIPTION OF REVISIONS	BY	CHKD	DATE	COUNT	DESCRIPTION OF REVISIONS	BY	CHKD	DATE
1	RE-J-01473	K.HIDARU	KAWA	'99.11.19					
6	RE-J-02231	D.Y.R.K	K	'04.9.25					

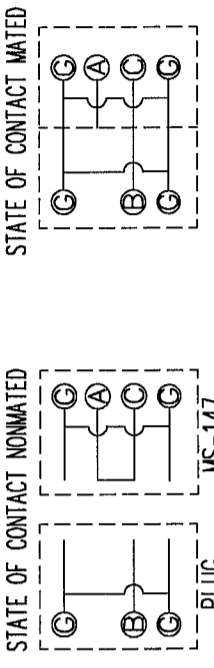


TAPE AND REEL PACKING (FREE)



NOTE 1. USE THIS PRODUCT WITH MS-147-HRMJ-1 AND EQUIVALENT CONTACT MATED.
FOR THE USE OF MS-147-HRMJ-1 AND EQUIVALENT, PUSH THEM ON THE POSITION P.
USE WITH THE STRUCTURE WHICH ALWAYS KEEP IN TOUCH TO THE POSITION P OR WITH LOCK STRUCTURE.

2. COAXIAL SWITCH CIRCUIT SHALL BE AS FOLLOWS:



- 3. LEAD CO-PLANARITY TO BE 0.13 mm MAX.
- 4. THIS PRODUCT IS POSSIBLE TO WASH.
- 5. AVOID SHOCKING TO THIS PRODUCT DIRECTLY.

6 PCB LAYOUT, STENCIL PLATE AND REFLOW TEMPERATURE PROFILE ARE SPECIFIED FOR LEAD-FREE.

NO.	MATERIAL	FINISH, REMARKS	NO.	MATERIAL	FINISH, REMARKS
3	BERYLLIUM COPPER	SMT AREA: GOLD 0.03~0.07μ	6	PS	
2	POLYAMIDE	CONTACT AREA: GOLD 0.5μ	5	PS	
1	PHOSPHOR BRONZE	BLACK UL94HB	4	BERYLLIUM COPPER	SMT AREA: GOLD 0.03~0.07μ CONTACT AREA: GOLD 0.5μ

CODE NO. (OLD)	DESIGNED	CHECKED	APPROVED	RELEASED
	K.HIDA	K.KANO	Y.MIYAKE	

DRAWING NO.	PART NO.
EDC3-180145-01	MS-147(06)

SCALE	UNITS	CODE NO.
5 : 1	mm	CL358-0150-5-06

TO	
RFD	