

OVERVIEW

The SM8703CV is a 27MHz master clock, 5-system output clock generator for DVD players. It has 2 built-in PLLs that, with the addition of a single crystal oscillator element, can generate 384fs, 512fs and 768fs clocks which are necessary for MPEG2 systems, plus independent fixed-frequency 27MHz and 33.8688MHz output clocks. Each output has an output disable function, when the output is not used, to suppress unwanted radiation. Also, the normal output frequency ratio between each output is maintained so that the visual and audio signals remain synchronized. Supported sampling frequencies (fs) include 44.1 and 48kHz.

FEATURES

- 27MHz master clock (internal PLL reference clock)
- Generated clocks
 - 27MHz output
 - 33.8688MHz output
 - 384fs output
 - 512fs output
 - 768fs output
- Sampling frequency fs
 - 44.1/48kHz
- Output disable function
- Low jitter output: 100ps (typ, 15pF load)
- Supply voltage: 3.3V
- 24-pin VSOP package

APPLICATIONS

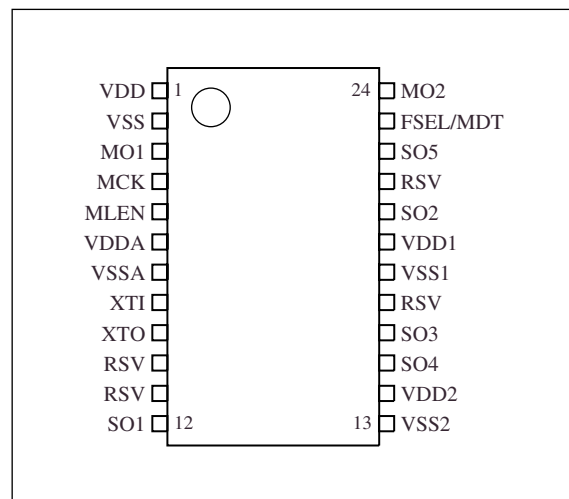
- DVD players
- Set-top boxes
- MPEG2 systems

ORDERING INFORMATION

Device	Package
SM8703CV	24-pin VSOP

PINOUT

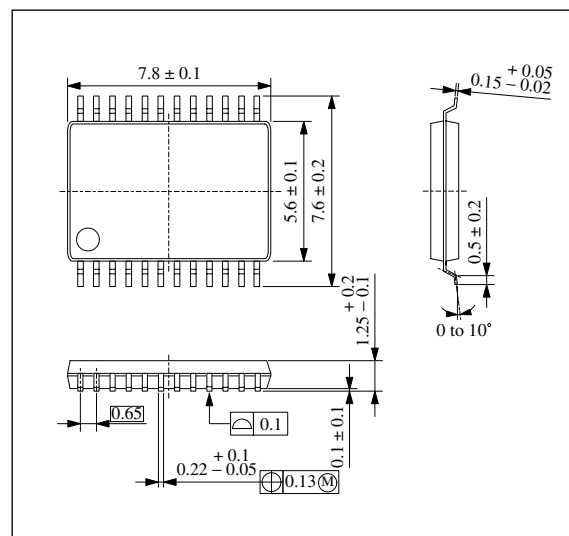
(Top view)



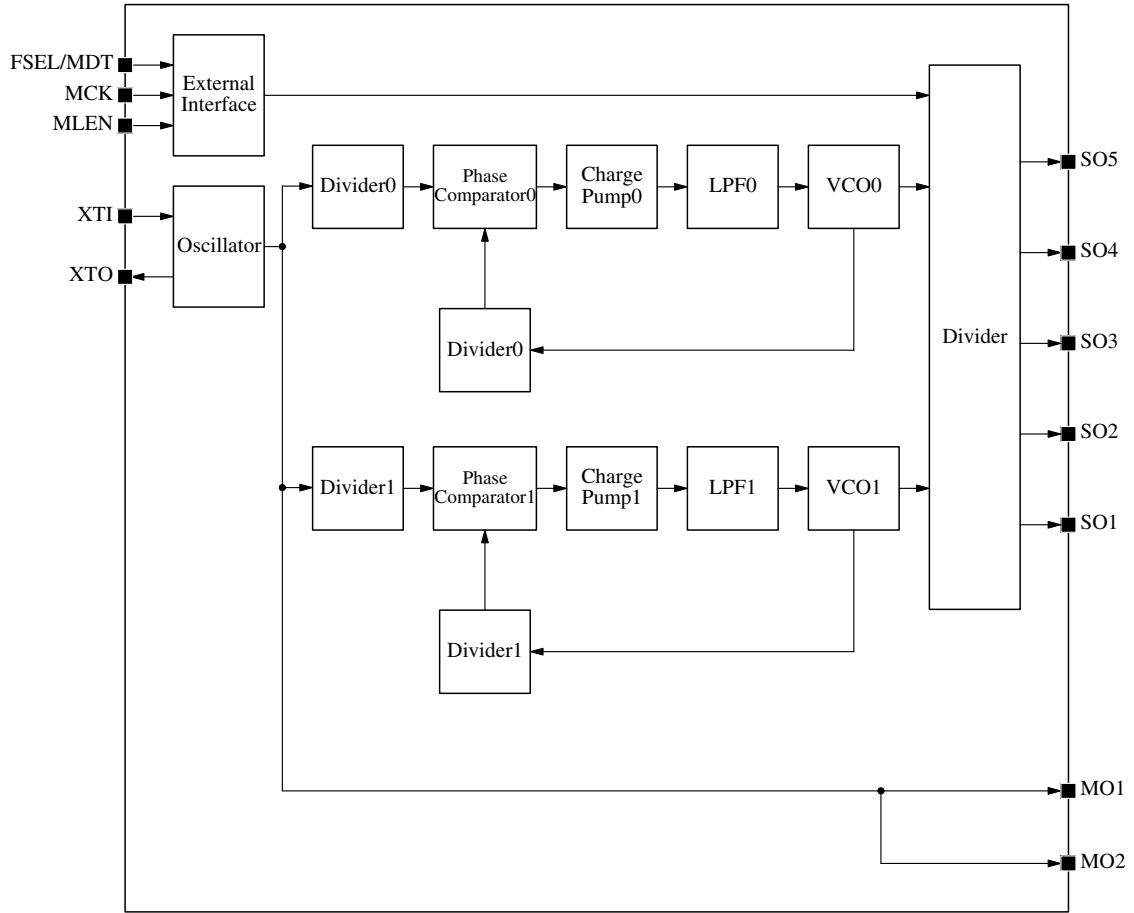
PACKAGE DIMENSIONS

(Unit: mm)

Weight: 0.1g



BLOCK DIAGRAM



PIN DESCRIPTION

Number	Name	I/O	Description
1	VDD	–	Power supply for Digital block
2	VSS	–	VSS for Digital block
3	MO1	O	27MHz fixed-frequency output 1
4	MCK	Ip ¹	Serial interface bit clock input
5	MLEN	Ip ¹	Serial interface latch enable input
6	VDDA	–	Power supply for Analog block
7	VSSA	–	VSS for Analog block
8	XTI	I	Reference signal crystal oscillator element connection or external clock input
9	XTO	O	Reference signal crystal oscillator element connection
10	RSV	–	Reserved (must be open)
11	RSV	–	Reserved (must be open)
12	SO1	O	33.8688MHz fixed-frequency output
13	VSS2	–	VSS for Output buffer
14	VDD2	–	Power supply for Output buffer
15	SO4	O	512fs output
16	SO3	O	512fs output
17	RSV	–	Reserved (must be open)
18	VSS1	–	VSS for Output buffer
19	VDD1	–	Power supply for Output buffer
20	SO2	O	384fs output
21	RSV	–	Reserved (must be open)
22	SO5	O	768fs output
23	FSEL/MDT	Ip ¹	Parallel mode: Sampling frequency select signal input Serial mode: Control data input
24	MO2	O	27MHz fixed-frequency output 2

1. Schmitt trigger input with internal pull-up resistor

SPECIFICATIONS

Absolute Maximum Ratings

Parameter	Symbol	Condition	Rating	Unit
Supply voltage range	$V_{DDA}, V_{DD}, V_{DD1}, V_{DD2}$		-0.3 to 6.5	V
Supply voltage deviation	$V_{DDA} - V_{DD}, V_{DDA} - V_{DD1}, V_{DDA} - V_{DD2}, V_{DD} - V_{DD1}, V_{DD} - V_{DD2}, V_{DD1} - V_{DD2}$		±0.1	V
Ground voltage deviation	$V_{SSA} - V_{SS}, V_{SSA} - V_{SS1}, V_{SSA} - V_{SS2}, V_{SS} - V_{SS1}, V_{SS} - V_{SS2}, V_{SS1} - V_{SS2}$		±0.1	V
Input voltage range	V_{IN}	Digital inputs	-0.3 to $V_{DD} + 0.3$	V
Output voltage range	V_{OUT}	Digital outputs	-0.3 to $V_{DD} + 0.3$	V
Power dissipation	P_D		300	mW
Storage temperature range	T_{stg}		-55 to 125	°C

Recommended Operating Conditions

Parameter	Symbol	Condition	Rating	Unit
Supply voltage ranges	$V_{DDA}, V_{DD}, V_{DD1}, V_{DD2}$		3.0 to 3.6	V
Operating temperature range	T_{opr}		-40 to 85	°C

DC Electrical Characteristics

External clock, $T_a = -40$ to 85°C , $V_{DDA} = V_{DD} = V_{DD1} = V_{DD2} = 3.0$ to 3.6V unless otherwise noted.

Parameter	Symbol	Condition	Rating			Unit
			min	typ	max	
Current consumption	I_{DD}	All supplies. $V_{DDA} = V_{DD} = V_{DD1} = V_{DD2} = 3.3\text{V}$, $T_a = 25^\circ\text{C}$, $f_s = 48\text{kHz}$, Crystal oscillator element, no load on all outputs	–	32	45	mA
HIGH-level input voltage	V_{IH}	XTI, FSEL/MDT, MCK, MLEN	$0.8V_{DD}$	–	–	V
LOW-level input voltage	V_{IL}	XTI, FSEL/MDT, MCK, MLEN	–	–	$0.2V_{DD}$	V
HIGH-level input current	I_{IH1}	FSEL/MDT, MCK, MLEN (Note 1) $V_{IN} = V_{DD}$	–	–	1	μA
LOW-level input current	I_{IL1}	FSEL/MDT, MCK, MLEN (Note 1) $V_{IN} = 0\text{V}$	–	–	–100	μA
HIGH-level input current	I_{IH2}	XTI, $V_{IN} = V_{DD}$	–	–	40	μA
LOW-level input current	I_{IL2}	XTI, $V_{IN} = 0\text{V}$	–	–	–40	μA
HIGH-level output voltage	V_{OH}	All outputs. $I_{OH} = -2\text{mA}$	$V_{DD} - 0.4$	–	–	V
LOW-level output voltage	V_{OL}	All outputs. $I_{OL} = 4\text{mA}$	–	–	0.4	V

Note 1: Schmitt trigger input with internal pull-up resistor

AC Electrical Characteristics

External clock, $T_a = -40$ to 85°C , $V_{DDA} = V_{DD} = V_{DD1} = V_{DD2} = 3.0$ to 3.6V unless otherwise noted.

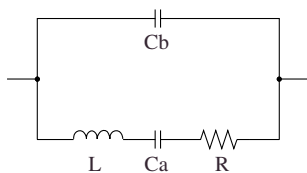
Parameter	Symbol	Condition	Rating			Unit
			min	typ	max	
XTI external input clock frequency	f_M		–	27.0000	–	MHz
Output clock rise time	t_R	All outputs, 0.2 to $0.8V_{DD}$, $C_L = 15\text{pF}$	–	2.0	–	ns
Output clock fall time	t_F	All outputs, 0.8 to $0.2V_{DD}$, $C_L = 15\text{pF}$	–	2.0	–	ns
Output clock jitter	JITTER	All outputs, Standard tolerance, Crystal oscillator element, $C_L = 15\text{pF}$	–	100	–	ps
Output clock duty ¹	DUTY	All outputs, Crystal oscillator element, $C_L = 15\text{pF}$	45	50	55	%
Settling time	t_S	All outputs	–	–	100	ns
Power-up time ²	t_P	All outputs	–	15	30	ms

1. 1.4V to 1.4V . $T_a = 20^\circ\text{C}$. The characteristics of output clock jitter and output clock duty depends on crystal oscillator.

NPC's standard crystal oscillator: $R = 10.5\Omega$, $L = 5.38\text{mH}$, $C_a = 6.74\text{fF}$, $C_b = 1.85\text{pF}$

measurement apparatus: HP4195

Load capacitance: $C_1 = 7\text{pF}$, $C_2 = 11\text{pF}$



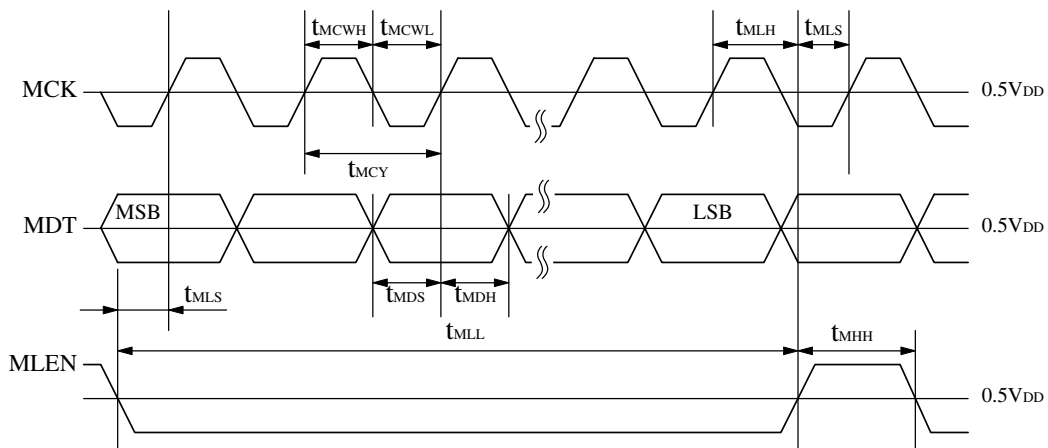
2. Time from OFF condition to stable frequency output.

Serial Interface AC Characteristics

External clock, $T_a = -40$ to 85°C , $V_{\text{DDA}} = V_{\text{DD}} = V_{\text{DD1}} = V_{\text{DD2}} = 3.0$ to 3.6V unless otherwise noted.

Parameter	Symbol	Condition	Rating			Unit
			min	typ	max	
MCK HIGH-level pulsewidth	t_{MCWH}		40	–	–	ns
MCK LOW-level pulsewidth	t_{MCWL}		40	–	–	ns
MCK pulse cycle time	t_{MCY}		100	–	–	ns
MDT setup time	t_{MDS}		40	–	–	ns
MDT hold time	t_{MDH}		40	–	–	ns
MLEN setup time ¹	t_{MLS}		40	–	–	ns
MLEN hold time ²	t_{MLH}		40	–	–	ns
MLEN HIGH-level pulsewidth	t_{MHH}		200	–	–	ns
MLEN LOW-level pulsewidth	t_{MLL}		$16 \times t_{\text{MCY}}$	–	–	ns

1. Time from the MLEN falling edge to the next MCK rising edge. If the MCK clock stops after the LSB, the MLEN rise timing is optional.
2. Time from MCK rising edge corresponding to the LSB to the MLEN rising edge.



FUNCTIONAL DESCRIPTION

27MHz Master Clock

The 27MHz master clock is generated either by connecting a crystal oscillator element between XTI (pin 8) and XTO (pin 9), as shown in figure 1, or by connecting an external 27MHz clock to XTI, as shown in figure 2. The crystal oscillator element must be used in fundamental frequency mode.

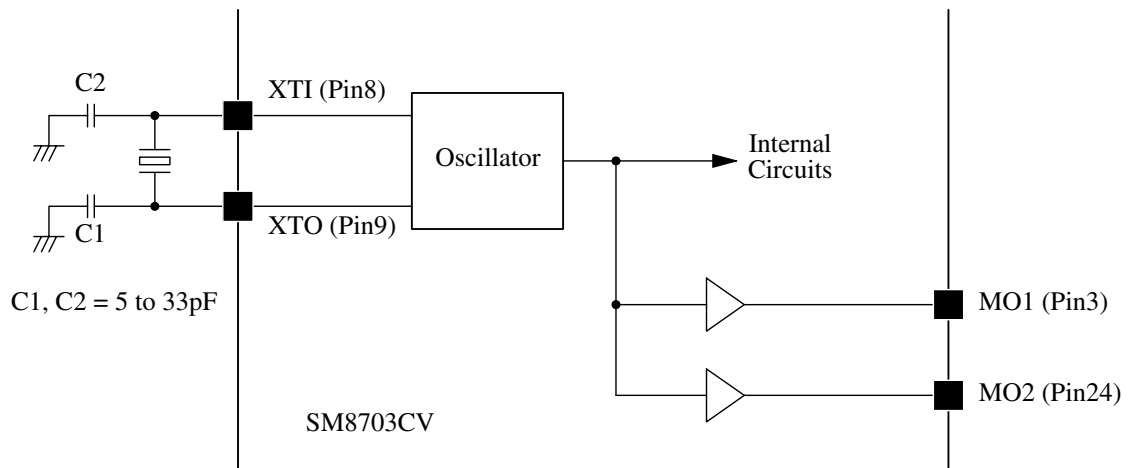


Figure 1. Crystal oscillator connection

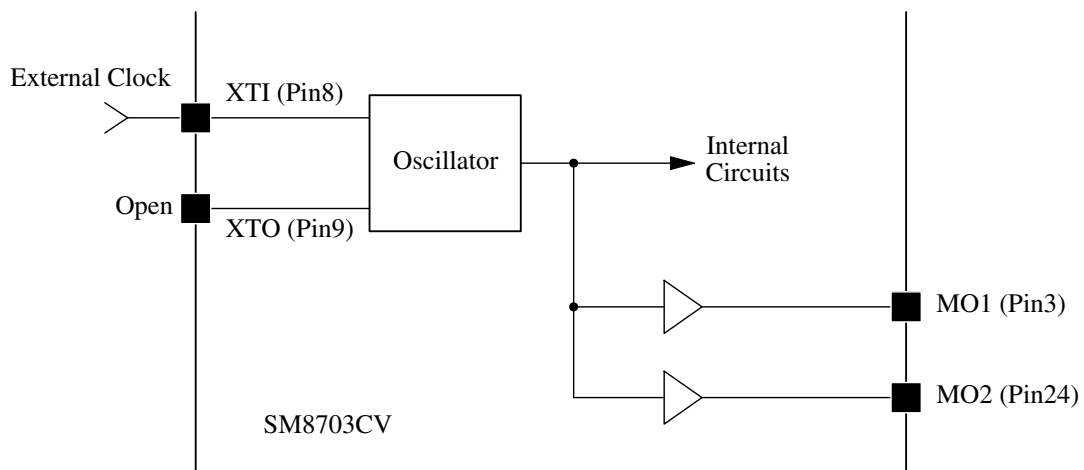


Figure 2. External clock input

Sampling Frequency and Output Clock Frequency

The SM8703CV generates several output clocks from the 27MHz master clock, with frequencies of 384fs (SO2), 512fs (SO3, SO4) and 768fs (SO5), where fs is the sampling frequency selected by external control inputs. SO1 outputs a 33.8688MHz clock. The supported sampling frequencies are 44.1kHz and 48kHz, selected by the sampling frequency select pin (FSEL). The generated frequencies are shown in table 1.

Table 1. Sampling frequency and output clock frequency

FSEL	Sampling frequency fs	Output clock frequency [MHz]			
		SO1	SO2	SO3, SO4	SO5
LOW	44.1kHz	33.8688	16.9344	22.5792	33.8688
HIGH	48kHz	33.8688	18.4320	24.5760	36.8640

Enable/Disable control

A 3-wire serial interface is provided using MCK (pin 4), MLEN (pin 5), and MDT (pin 23, MDT/FSEL). Using serial control, each output frequency can be enabled (disabled when LOW) individually, or disabled to prevent unwanted output.

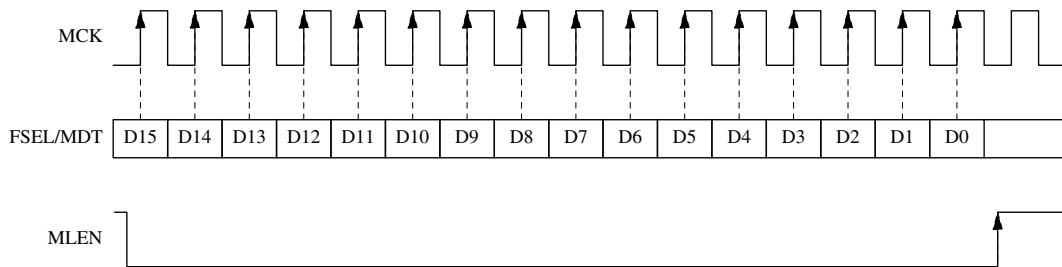
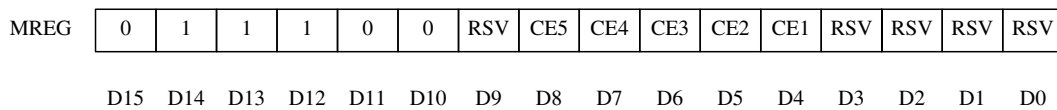


Figure 3. Serial control format

The 16-bit mode register (MREG) is shown in Figure 4. The name and function of each bit are shown in Tables 2 and 3. Serial control is enabled by setting D15-D10 to "011100".



Note: RSV is fixed LOW.

Figure 4. Mode register

Table 2. Mode register function

Bit	Name	Function
D9	RSV	Must be "LOW"
D8	CE5	SO2 output enable/disable
D7	CE4	SO3, SO4 output enable/disable
D6	CE3	SO5 output enable/disable
D5	CE2	SO1 output enable/disable
D4	CE1	MO1, MO2 output enable/disable
D3/D2/D1/D0	RSV	Must be "LOW"

Table 3. Clock output control settings (CE5 to 1)

CE5 to CE1	Clock output
LOW	Disable (Output fixed "LOW")
HIGH	Enable (Default)

Note

The output frequency changes depending on the MDT pin function (as MDT and FSEL, the sampling frequency select signal input, share a common pin). Refer to the section “Settling Time (when the sampling frequency is changed)”.

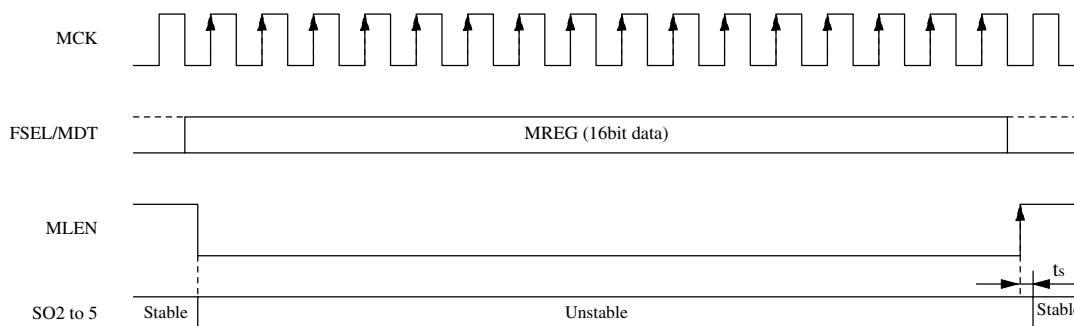


Figure 5. Serial transfer timing

Settling Time (when the sampling frequency is changed)

The output response when the frequency is changed is shown in figure 6.

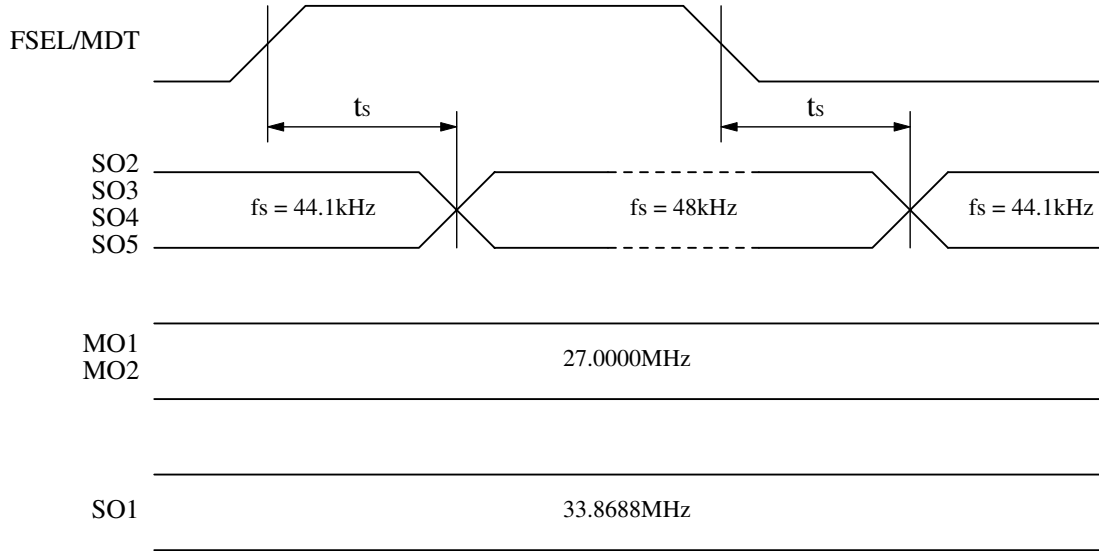
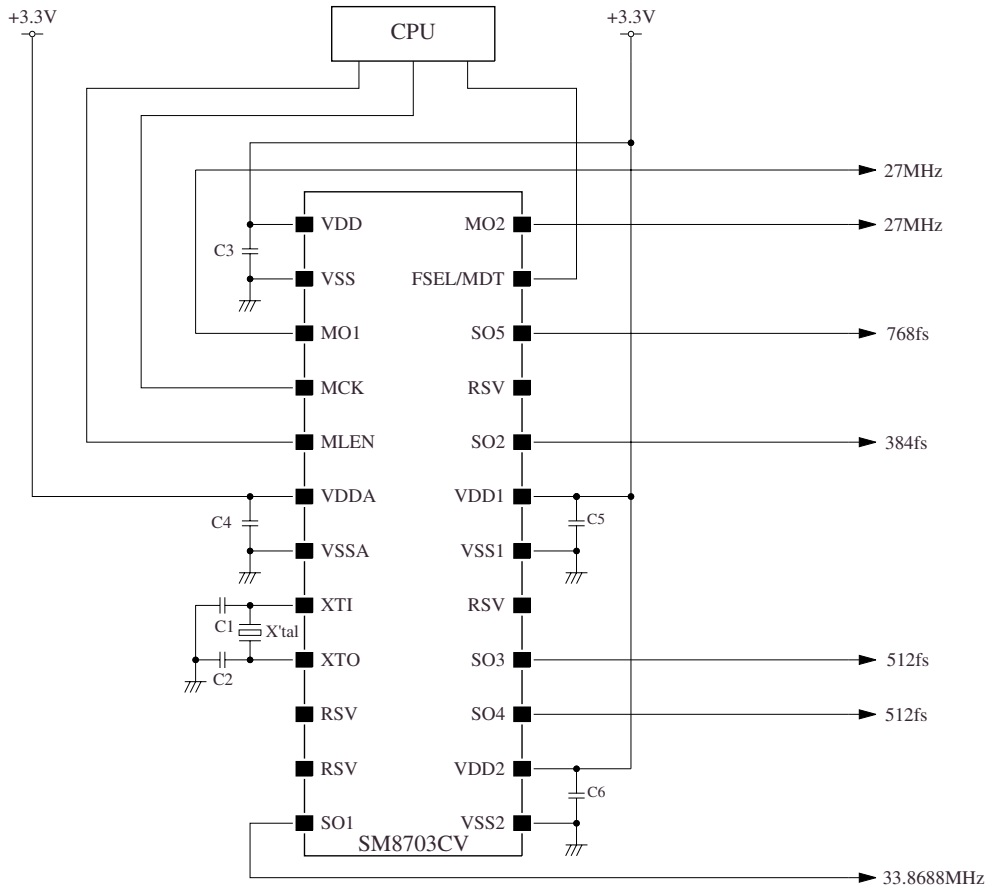


Figure 6. System clock transient timing

TYPICAL APPLICATION



- Connect the decoupling capacitors (approximately 0.1 μ F and 1000pF) in parallel, as close to the power supply pins as possible.
 - A solid VSS pattern beneath the IC should be used to minimize noise.
 - Master clock stability affects the stability of the other outputs. If a crystal oscillator is used, the oscillator element and load capacitors should be placed as close to the SM8703CV as possible, and connected with wires as short as possible. The crystal oscillator element and load capacitor combination has an effect on frequency accuracy, and the load capacitors (C1, C2) should be selected to match the required application.
 - The SM8703CV outputs several high-frequency clocks, so the supply wiring pattern (including decoupling capacitors) should be considered carefully. In particular, the output supply wiring and PLL supply wiring should be separated to prevent noise insertion. The output wiring capacitance should be minimized as much as possible to prevent noise. If necessary, the output clocks can be buffered.
- Power supply and VSS pins.
 - VDD : Power supply for digital block (CPU I/F*, MO1, MO2)
 - VSS : VSS for digital block (CPU I/F*, MO1, MO2)
 - VDDA : Power supply for PLL block (XTI, XTO, PLL/VCO)
 - VSSA : VSS for PLL block (XTI, XTO, PLL/VCO)
 - VDD1 : Power supply for output block (except SO1)
 - VSS1 : VSS for output block (except SO1)
 - VDD2 : Power supply for SO1
 - VSS2 : VSS for SO1
- *: CPU I/F: FSEL/MDT, MLEN, MCK

Please pay your attention to the following points at time of using the products shown in this document.

The products shown in this document (hereinafter "Products") are not intended to be used for the apparatus that exerts harmful influence on human lives due to the defects, failure or malfunction of the Products. Customers are requested to obtain prior written agreement for such use from SEIKO NPC CORPORATION (hereinafter "NPC"). Customers shall be solely responsible for, and indemnify and hold NPC free and harmless from, any and all claims, damages, losses, expenses or lawsuits, due to such use without such agreement. NPC reserves the right to change the specifications of the Products in order to improve the characteristic or reliability thereof. NPC makes no claim or warranty that the contents described in this document dose not infringe any intellectual property right or other similar right owned by third parties. Therefore, NPC shall not be responsible for such problems, even if the use is in accordance with the descriptions provided in this document. Any descriptions including applications, circuits, and the parameters of the Products in this document are for reference to use the Products, and shall not be guaranteed free from defect, inapplicability to the design for the mass-production products without further testing or modification. Customers are requested not to export or re-export, directly or indirectly, the Products to any country or any entity not in compliance with or in violation of the national export administration laws, treaties, orders and regulations. Customers are requested appropriately take steps to obtain required permissions or approvals from appropriate government agencies.

The logo for SEIKO NPC CORPORATION, consisting of the letters 'NPC' in a bold, black, sans-serif font.

SEIKO NPC CORPORATION

15-6, Nihombashi-kabutocho, Chuo-ku,
Tokyo 103-0026, Japan
Telephone: +81-3-6667-6601
Facsimile: +81-3-6667-6611
<http://www.npc.co.jp/>
Email: sales@npc.co.jp

NC0113BE 2006.04