

| ABSOLUTE MAXIMUM RATINGS ($T_{amb} = 25\text{ }^{\circ}\text{C}$, unless otherwise specified) | | | | |
|--|--------------------------------------|--------------|-------------|--------------------|
| PARAMETER | TEST CONDITION | SYMBOL | VALUE | UNIT |
| INPUT | | | | |
| LED continuous forward current | | I_F | 50 | mA |
| LED reverse voltage | | V_R | 5 | V |
| OUTPUT | | | | |
| Repetitive peak off-state voltage | Sine wave, 50 Hz to 60 Hz, gate open | V_{DRM} | 600 | V |
| On-state RMS current | | $I_{T(RMS)}$ | 1 | A |
| Peak non-repetitive surge current (50 Hz, peak) | | I_{TSM} | 10 | A |
| COUPLER | | | | |
| Total power dissipation ⁽²⁾ | | P_{diss} | 1.2 | W |
| Ambient temperature range | | T_{amb} | -40 to +85 | $^{\circ}\text{C}$ |
| Storage temperature range | | T_{stg} | -40 to +125 | $^{\circ}\text{C}$ |
| Soldering temperature ⁽¹⁾ | $t \leq 10\text{ s max.}$ | T_{sld} | 260 | $^{\circ}\text{C}$ |
| Isolation test voltage | For 1 s | V_{ISO} | 5300 | V_{RMS} |

Notes

- Stresses in excess of the absolute maximum ratings can cause permanent damage to the device. Functional operation of the device is not implied at these or any other conditions in excess of those given in the operational sections of this document. Exposure to absolute maximum ratings for extended periods of the time can adversely affect reliability
- (1) Refer to wave profile for soldering conditions for through hole devices
- (2) Total power dissipation value is based on 2S2P PCB

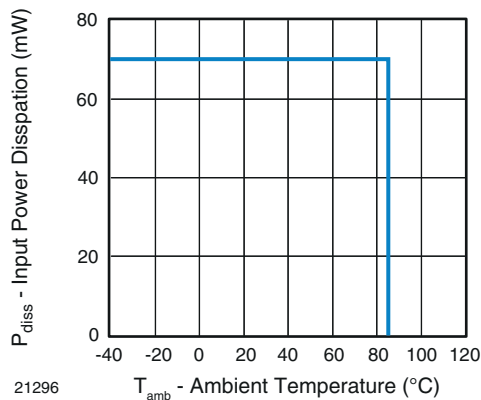
ABSOLUTE MAXIMUM RATING CURVES


Fig. 1 - Power Dissipation vs. Temperature

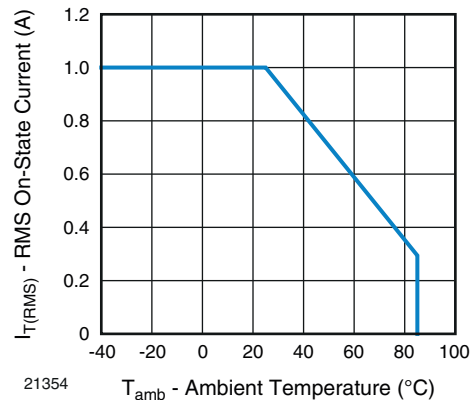


Fig. 2 - Allowable Load Current vs. Ambient Temperature

Note

- The allowable load current was calculated out under a given operating conditions and only for reference:
LED power: $Q_E = 0.015\text{ W}$, θ_{BA} (4-layer) = $30\text{ }^{\circ}\text{C/W}$

| ELECTRICAL CHARACTERISTICS ($T_{amb} = 25\text{ }^{\circ}\text{C}$, unless otherwise specified) | | | | | | |
|--|---|---------------|------|------|------|------------------------|
| PARAMETER | TEST CONDITION | SYMBOL | MIN. | TYP. | MAX. | UNIT |
| INPUT | | | | | | |
| LED trigger current | $V_T = 6\text{ V}$ | I_{FT} | 2.5 | - | 10 | mA |
| Input reverse current | $V_R = 5\text{ V}$ | I_R | - | - | 10 | μA |
| LED forward voltage | $I_F = 10\text{ mA}$ | V_F | 0.9 | - | 1.4 | V |
| OUTPUT | | | | | | |
| Peak on-state voltage | $I_{TM} = 1\text{ A}$ | V_{TM} | - | - | 1.7 | V |
| Peak off-state current | $V_{DRM} = 600\text{ V}$, $T_A = 110\text{ }^{\circ}\text{C}$ | I_{DRM} | - | - | 100 | μA |
| Holding current | $R_L = 100\ \Omega$ | I_H | - | - | 25 | mA |
| Critical rate of rise of off-state voltage | $V_{IN} = 400\text{ V}_{RMS}$ (Fig. 3) | dV/dt_{cr} | - | 210 | - | $\text{V}/\mu\text{s}$ |
| Critical rate of rise of commutating voltage | $V_{IN} = 240\text{ V}_{RMS}$, $I_T = 1\text{ A}_{RMS}$ (Fig. 3) | dV/dt_{crq} | - | 0.7 | - | $\text{V}/\mu\text{s}$ |

Note

- Minimum and maximum values are testing requirements. Typical values are characteristics of the device and are the result of engineering evaluations. Typical values are for information only and are not part of the testing requirements

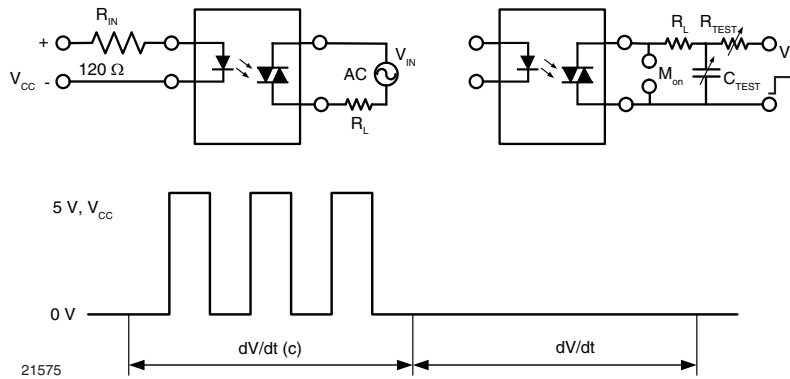


Fig. 3 - dV/dt Test Circuit

| SAFETY AND INSULATION RATINGS | | | | | | |
|---|--|------------|----------|--------------|----------------|--------------------|
| PARAMETER | TEST CONDITION | SYMBOL | MIN. | TYP. | MAX. | UNIT |
| Climatic classification | IEC 68 part 1 | | - | 40 / 85 / 21 | - | |
| Pollution degree | DIN VDE 0109 | | - | 2 | - | |
| Tracking resistance (comparative tracking index) | Insulation group IIIa | CTI | 175 | - | - | |
| Highest allowable overvoltage | Transient overvoltage | V_{IOTM} | 8000 | - | - | V_{peak} |
| Maximum working insulation voltage | Recurring peak voltage | V_{IORM} | 890 | - | - | V_{peak} |
| Insulation resistance at 25 °C | $V_{IO} = 500\text{ V}$ | R_{IS} | - | - | $\geq 10^{12}$ | Ω |
| Insulation resistance at T_S | $V_{IO} = 500\text{ V}$ | R_{IS} | - | - | $\geq 10^9$ | Ω |
| Insulation resistance at 100 °C | $V_{IO} = 500\text{ V}$ | R_{IS} | - | - | $\geq 10^{11}$ | Ω |
| Partial discharge test voltage | Method b, $V_{pd} = V_{IORM} \times 1.6$ | V_{pd} | - | - | 1424 | V_{peak} |
| Safety limiting values - maximum values allowed in the event of a failure | Case temperature | T_{SI} | - | - | 165 | $^{\circ}\text{C}$ |
| | Input current | I_{SI} | - | - | 150 | mA |
| | Output power | P_{SO} | - | - | 2000 | mW |
| Minimum external air gap (clearance distance) | Measured from input terminals to output terminals, shortest distance through air | | ≥ 7 | - | - | mm |
| Minimum external tracking (creepage distance) | Measured from input terminals to output terminals, shortest distance path along body | | ≥ 7 | - | - | mm |

Note

- This phototriac coupler is suitable for "safe electrical insulation" only within the safety ratings. Compliance with safety ratings shall be ensured by means of protective circuits

TYPICAL CHARACTERISTICS ($T_{amb} = 25\text{ }^{\circ}\text{C}$, unless otherwise specified)

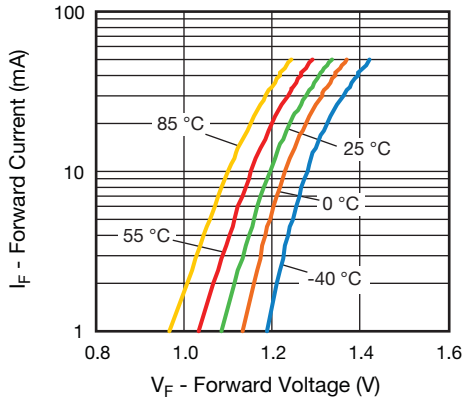


Fig. 4 - Forward Current vs. Forward Voltage

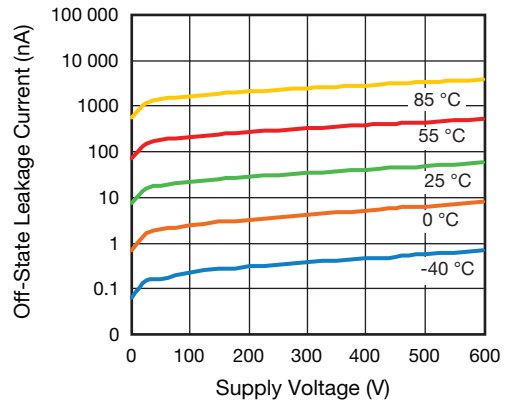


Fig. 7 - Off-State Leakage Current vs. Voltage

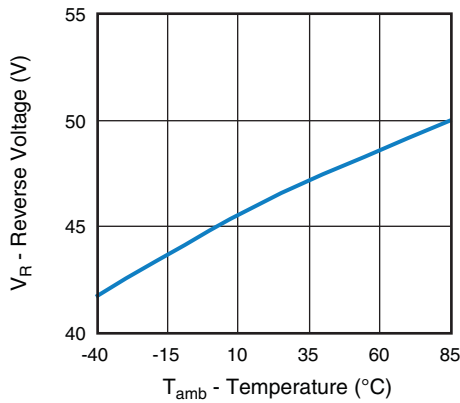


Fig. 5 - Reverse Voltage vs. Temperature

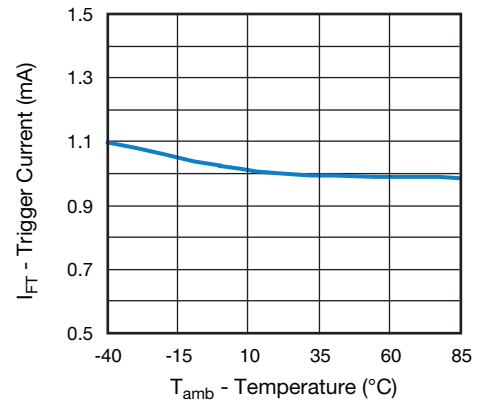


Fig. 8 - Normalized Trigger Input Current vs. Temperature

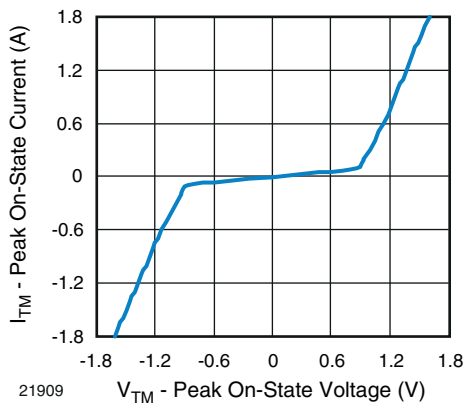


Fig. 6 - On-State Current vs. On-State Voltage

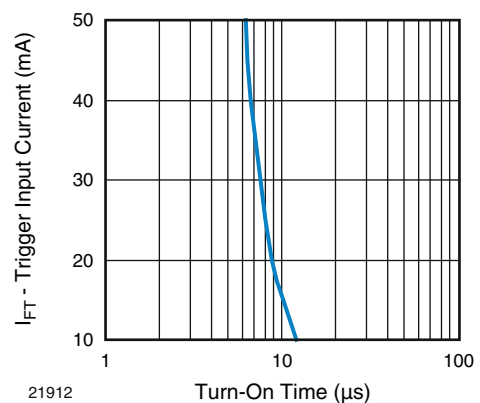


Fig. 9 - Trigger Input Current vs. Turn-on Time

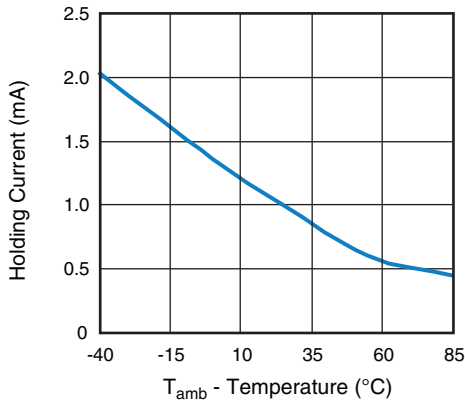


Fig. 10 - Normalized Holding Current vs. Temperature

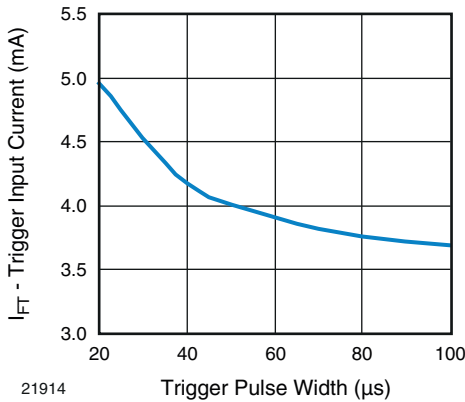


Fig. 11 - Trigger Current vs. Trigger Pulse Width

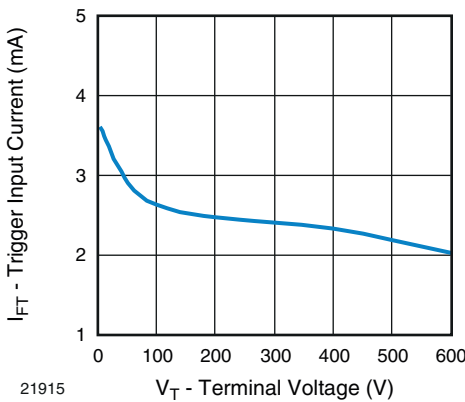
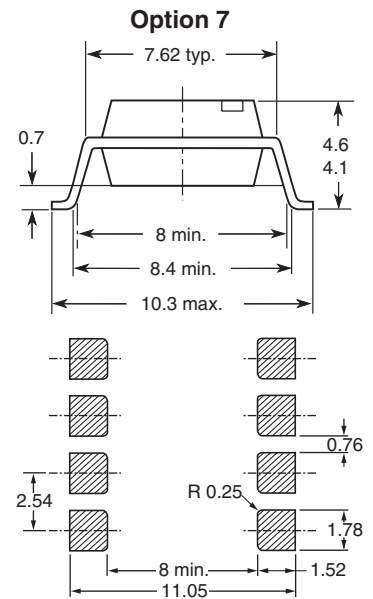
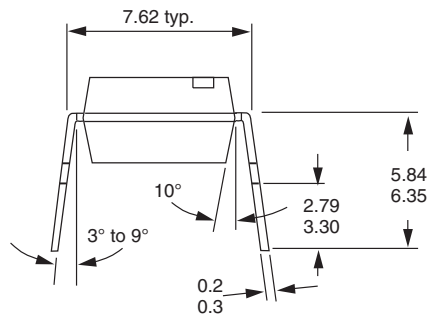
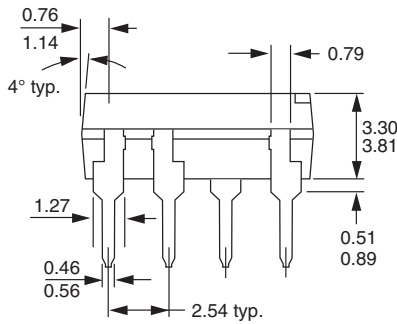
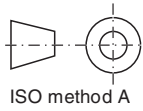
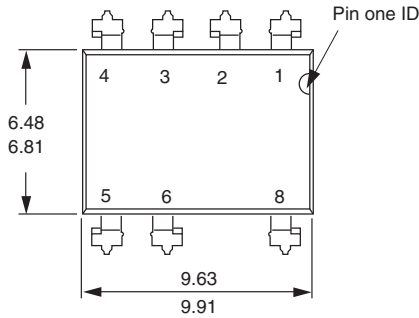


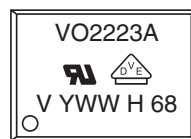
Fig. 12 - Trigger Current vs. V_{LOAD}



PACKAGE DIMENSIONS in millimeters



PACKAGE MARKING (Example of VO2223A-X001)





Disclaimer

ALL PRODUCT, PRODUCT SPECIFICATIONS AND DATA ARE SUBJECT TO CHANGE WITHOUT NOTICE TO IMPROVE RELIABILITY, FUNCTION OR DESIGN OR OTHERWISE.

Vishay Intertechnology, Inc., its affiliates, agents, and employees, and all persons acting on its or their behalf (collectively, "Vishay"), disclaim any and all liability for any errors, inaccuracies or incompleteness contained in any datasheet or in any other disclosure relating to any product.

Vishay makes no warranty, representation or guarantee regarding the suitability of the products for any particular purpose or the continuing production of any product. To the maximum extent permitted by applicable law, Vishay disclaims (i) any and all liability arising out of the application or use of any product, (ii) any and all liability, including without limitation special, consequential or incidental damages, and (iii) any and all implied warranties, including warranties of fitness for particular purpose, non-infringement and merchantability.

Statements regarding the suitability of products for certain types of applications are based on Vishay's knowledge of typical requirements that are often placed on Vishay products in generic applications. Such statements are not binding statements about the suitability of products for a particular application. It is the customer's responsibility to validate that a particular product with the properties described in the product specification is suitable for use in a particular application. Parameters provided in datasheets and / or specifications may vary in different applications and performance may vary over time. All operating parameters, including typical parameters, must be validated for each customer application by the customer's technical experts. Product specifications do not expand or otherwise modify Vishay's terms and conditions of purchase, including but not limited to the warranty expressed therein.

Except as expressly indicated in writing, Vishay products are not designed for use in medical, life-saving, or life-sustaining applications or for any other application in which the failure of the Vishay product could result in personal injury or death. Customers using or selling Vishay products not expressly indicated for use in such applications do so at their own risk. Please contact authorized Vishay personnel to obtain written terms and conditions regarding products designed for such applications.

No license, express or implied, by estoppel or otherwise, to any intellectual property rights is granted by this document or by any conduct of Vishay. Product names and markings noted herein may be trademarks of their respective owners.