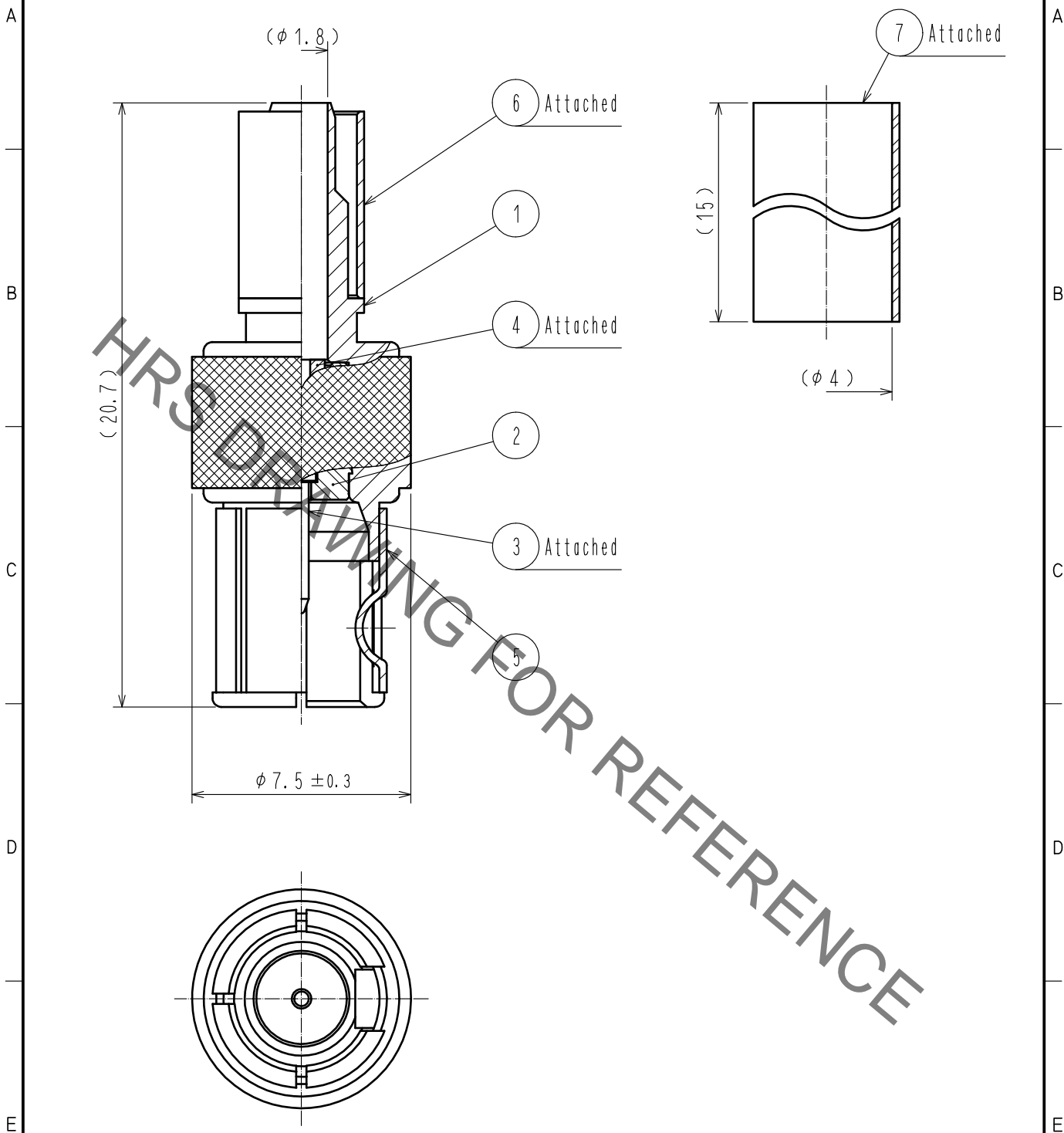


Aug.1.2022 Copyright 2022 HIROSE ELECTRIC CO., LTD. All Rights Reserved.  
 In case of consideration for using Automotive equipment / device which demand high reliability, kindly contact our sales window correspondents.

[ ASSEMBLE TOOL ] Applicable outer conductor crimping tool : HT303/UM.MSS-T-1(Hole 1.5)



4	PTFE			7	POLYOLEFIN	HEAT SHRINK TUBING(BLACK)		
3	BRASS	GOLD PLATING		6	COPPER	NICKEL PLATING		
2	PTFE			5	BERYLLIUM COPPER	NICKEL PLATING		
1	BRASS	GOLD PLATING						
NO.	MATERIAL	FINISH .	REMARKS	NO.	MATERIAL	FINISH .	REMARKS	
UNITS mm		SCALE 5 : 1	COUNT 	DESCRIPTION OF REVISIONS		DESIGNED	CHECKED	DATE
HIROSE ELECTRIC CO., LTD.		APPROVED : TO. KATAYAMA	18.08.09	DRAWING NO.		EDC-375503-00-00		
		CHECKED : TO. KATAYAMA	18.08.09	PART NO.		MSS-P-1.5DV		
		DESIGNED : NK. OOSAWA	18.08.09	CODE NO.		CL319-0002-0-00		
		DRAWN : NK. OOSAWA	18.08.09					