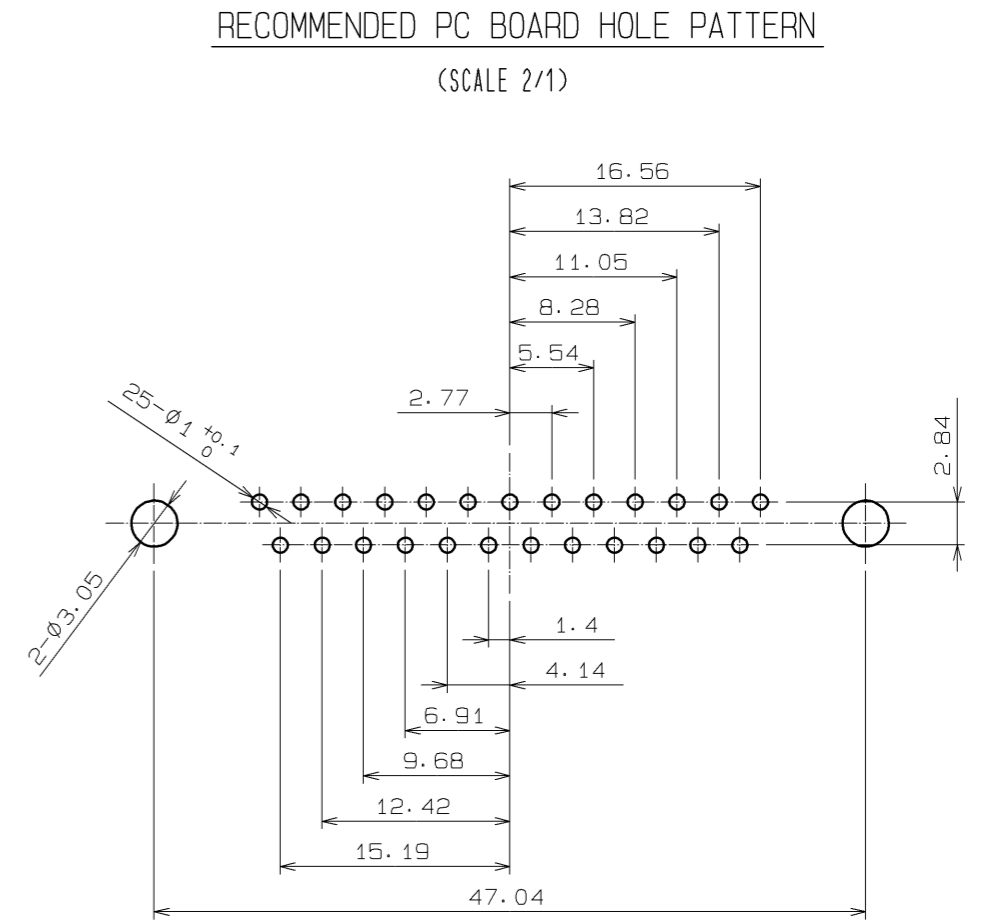
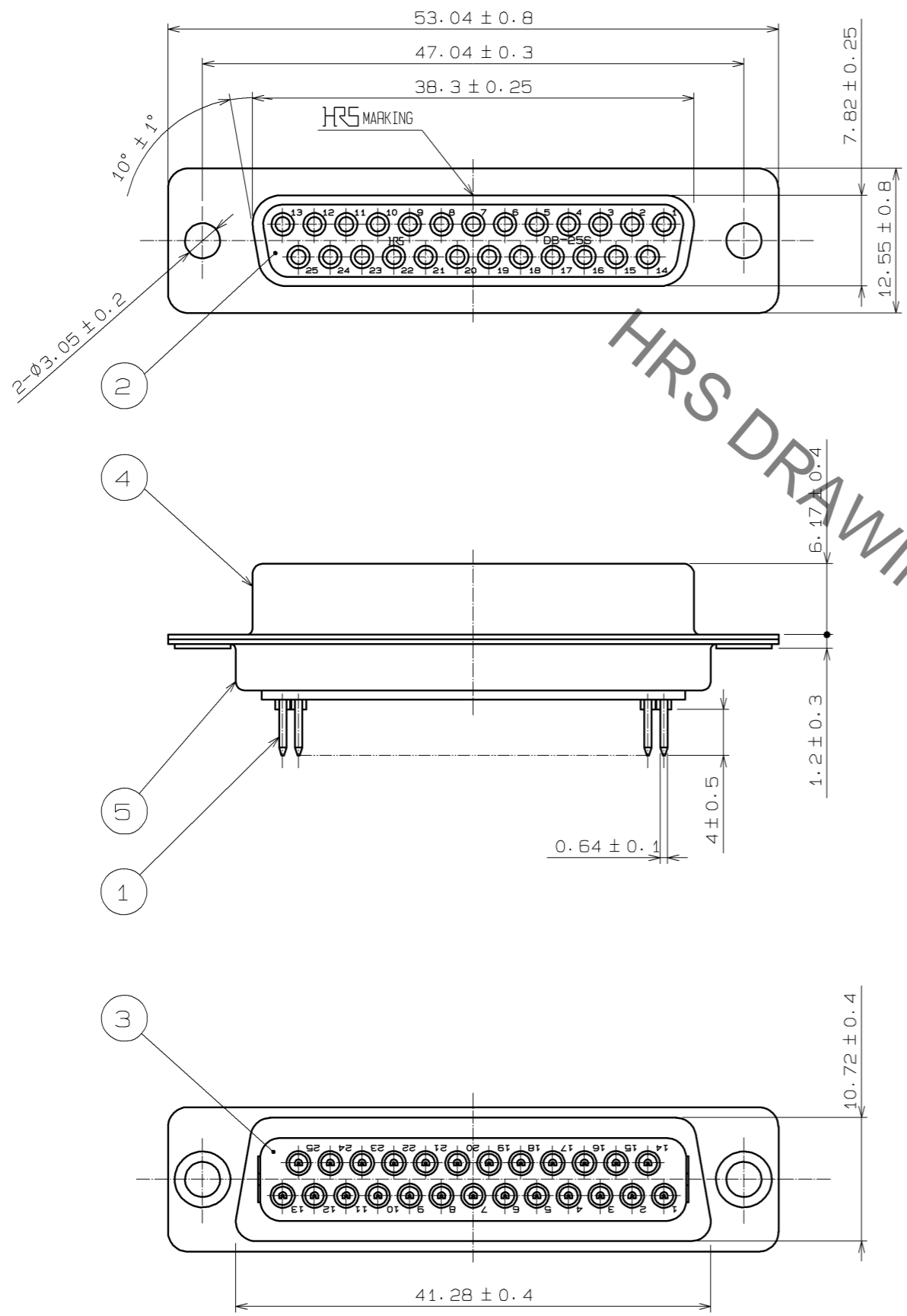


Aug.1.2022 Copyright 2022 HIROSE ELECTRIC CO., LTD. All Rights Reserved.  
In case of consideration for using Automotive equipment / device which demand high reliability, kindly contact our sales window correspondents.



NOTE. TOLERANCE TO BE ±0.1 MAX.  
UNLESS OTHERWISE SPECIFIED.

NO.	MATERIAL	FINISH . REMARKS	NO.	MATERIAL	FINISH . REMARKS
3	PBT	BLACK, UL94V-0			
2	PBT	BLACK, UL94V-0	5	STEEL	OVER PLATING : NICKEL 1μm min UNDER PLATING : COPPER 5μm min
1	PHOSPHOR BRONZE	CONTACT AREA : GOLD PLATING 0.2μm min TERMINAL AREA : GOLD PLATING 0.03μm min UNDER PLATING : NICKEL PLATING 2μm min	4	STEEL	OVER PLATING : NICKEL 1μm min UNDER PLATING : COPPER 5μm min

UNITS	SCALE	COUNT	DESCRIPTION OF REVISIONS	DESIGNED	CHECKED	DATE
mm	2 : 1	△				
APPROVED : RI. TAKAYASU			12.12.18	DRAWING NO. EDC3-009839-02		
CHECKED : EJ. WAKATSUKI			12.12.18	PART NO. SDBB-25S(55)		
DESIGNED : TS. ITO			12.12.18	CODE NO. CL211-0252-3-55		
DRAWN : TY. ITO			12.12.15	1/1		