

Zener Diodes

SMBJ5333B - SMBJ5388B

Features

- Low profile package for surface mounting (flat handling surface for accurate placement)
- Zener Voltage 3.3V to 200V
- High Surge Current Capability
- For available tolerances – see note 1
- Available on Tape and Reel (see EIA std RS-481)



Mechanical Data

- Case: SMB molded plastic
- Molding compound, UL flammability classification rating 94V-0
- Polarity: Color band denotes cathode end

Maximum Ratings (@T_A = 25°C unless otherwise specified)

Parameter	Symbol	Value	Unit
Power dissipation at T _L =75°C	P _{tot}	5.0	W
Forward voltage @I _F =200mA	V _F	1.2	V
Junction temperature	T _J	-55 ~ +150	°C
Storage temperature range	T _{STG}	-55 ~ +150	°C

Zener Diodes

SMBJ5333B - SMBJ5388B

Electrical Characteristics (@T_A = 25°C unless otherwise specified)

Part Number	Device marking code	Zener voltage	Test current	Dynamic impedance	Knee impedance	Reverse current	Reverse voltage	Max. DC current
		V _Z	I _{ZT}	Z _{ZT}	Z _{ZK}	I _{R(Max.)}	V _R	I _{ZM}
		V	mA	Ω	Ω	μA dc	V	mA
SMBJ5333B	333B	3.3	380	3.0	400	300	1.0	1440
SMBJ5334B	334B	3.6	350	2.5	500	150	1.0	1320
SMBJ5335B	335B	3.9	320	2.0	500	50	1.0	1220
SMBJ5336B	336B	4.3	290	2.0	500	10	1.0	1100
SMBJ5337B	337B	4.7	260	2.0	450	5.0	1.0	1010
SMBJ5338B	338B	5.1	240	1.5	400	1.0	1.0	930
SMBJ5339B	339B	5.6	220	1.0	400	1.0	2.0	865
SMBJ5340B	340B	6.0	200	1.0	300	1.0	3.0	790
SMBJ5341B	341B	6.2	200	1.0	200	1.0	3.0	765
SMBJ5342B	342B	6.8	175	1.0	200	10	4.9	700
SMBJ5343B	343B	7.5	175	1.5	200	10	6.4	630
SMBJ5344B	344B	8.2	150	1.5	200	10	6.9	580
SMBJ5345B	345B	8.7	150	2.0	200	10	6.25	545
SMBJ5346B	346B	9.1	150	2.0	150	7.5	6.6	520
SMBJ5347B	347B	10	125	2.0	125	5.0	7.2	475
SMBJ5348B	348B	11	125	2.5	125	5.0	8.0	430
SMBJ5349B	349B	12	100	2.5	125	2.0	8.6	395
SMBJ5350B	350B	13	100	2.5	100	1.0	9.4	265
SMBJ5351B	351B	14	100	2.5	75	1.0	10.1	340
SMBJ5352B	352B	15	75	2.5	75	1.0	10.8	315
SMBJ5353B	353B	16	75	2.5	75	1.0	11.5	295
SMBJ5354B	354B	17	70	2.5	75	0.5	12.2	280
SMBJ5355B	355B	18	65	2.5	75	0.5	13	264
SMBJ5356B	356B	19	65	3.0	75	0.5	13.7	250
SMBJ5357B	357B	20	65	3.0	75	0.5	14.4	237
SMBJ5358B	358B	22	50	3.5	75	0.5	15.8	216
SMBJ5359B	359B	24	50	3.5	100	0.5	17.3	198
SMBJ5360B	360B	25	50	4.0	110	0.5	18	190

Zener Diodes

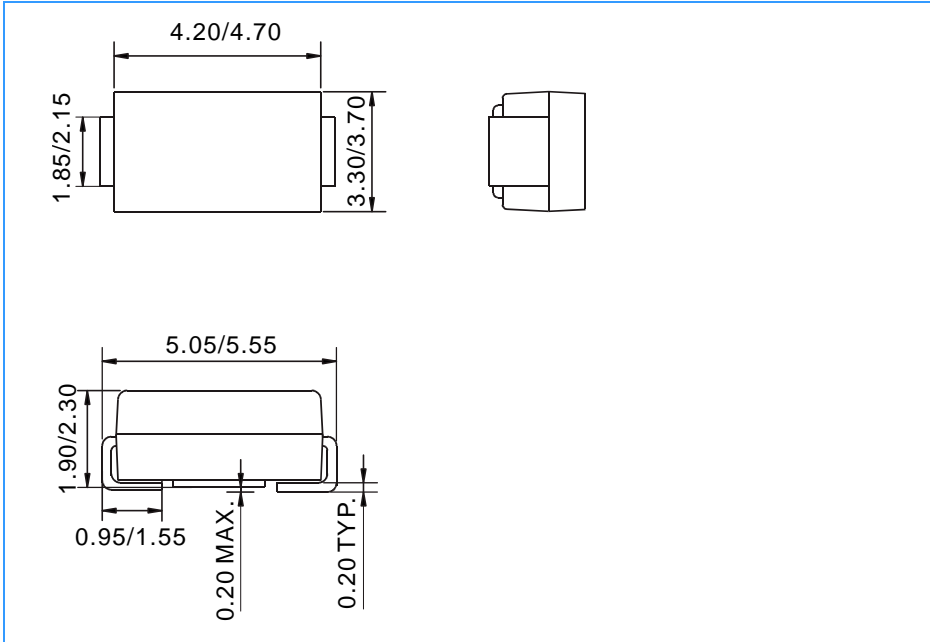
SMBJ5333B - SMBJ5388B

Part Number	Device marking code	Zener voltage	Test current	Dynamic impedance	Knee impedance	Reverse current	Reverse voltage	Max. DC current
		V _Z	I _{ZT}	Z _{ZT}	Z _{ZK}	I _{R(Max.)}	V _R	I _{ZM}
		V	mA	Ω	Ω	μA dc	V	mA
SMBJ5361B	361B	27	50	5.0	120	0.5	19.4	176
SMBJ5362B	362B	28	50	6.0	130	0.5	20.1	170
SMBJ5363B	363B	30	40	8.0	140	0.5	21.6	158
SMBJ5364B	364B	33	40	10	150	0.5	23.8	144
SMBJ5365B	365B	36	30	11	160	0.5	25.9	132
SMBJ5366B	366B	39	30	14	170	0.5	28.1	122
SMBJ5367B	367B	43	30	20	190	0.5	31	110
SMBJ5368B	368B	47	25	25	210	0.5	33.8	100
SMBJ5369B	369B	51	25	27	230	0.5	36.7	93
SMBJ5370B	370B	56	20	35	280	0.5	40.3	86
SMBJ5371B	371B	60	20	40	350	0.5	43	79
SMBJ5372B	372B	62	20	42	400	0.5	44.6	76
SMBJ5373B	373B	68	20	44	500	0.5	49	70
SMBJ5374B	374B	75	20	45	620	0.5	54	63
SMBJ5375B	375B	82	15	65	720	0.5	59	58
SMBJ5376B	376B	87	15	75	760	0.5	63	54.5
SMBJ5377B	377B	91	15	75	760	0.5	65.5	52.5
SMBJ5378B	378B	100	12	90	800	0.5	72	47.5
SMBJ5379B	379B	110	12	125	1000	0.5	79.4	43
SMBJ5380B	380B	120	10	170	1150	0.5	86.4	39.5
SMBJ5381B	381B	130	10	190	1250	0.5	93.6	36.6
SMBJ5382B	382B	140	8.0	230	1500	0.5	101	34
SMBJ5383B	383B	150	8.0	330	1500	0.5	108	31.5
SMBJ5384B	384B	160	8.0	350	1660	0.5	115	29.4
SMBJ5385B	385B	170	8.0	380	1750	0.5	122	28
SMBJ5386B	386B	180	5.0	430	1750	0.5	130	26.4
SMBJ5387B	387B	190	5.0	450	1850	0.5	137	25
SMBJ5388B	388B	200	5.0	480	1850	0.5	144	23.6

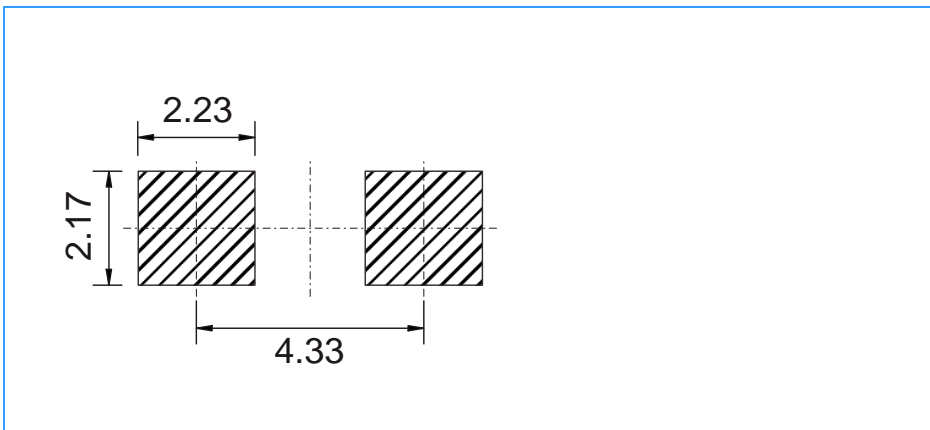
Zener Diodes

SMBJ5333B - SMBJ5388B

Package Outline Dimensions (Unit: mm)



Mounting Pad Layout (Unit: mm)



Ordering Information

Part Number	Package	Shipping Quantity
SMBJ5333B - SMBJ5388B	SMB	3000 / Tape & Reel