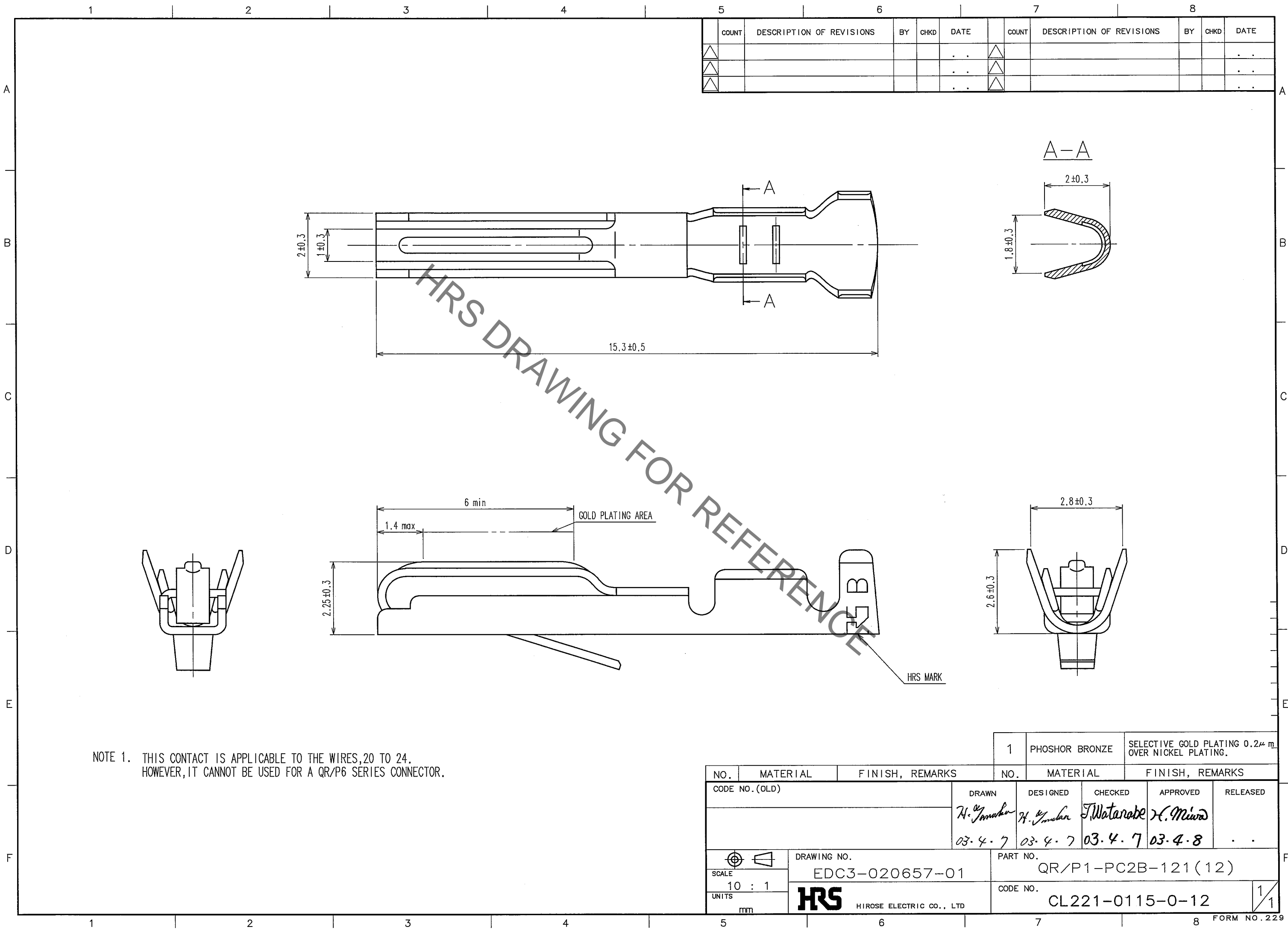


Aug.1.2022 Copyright 2022 HIROSE ELECTRIC CO., LTD. All Rights Reserved.  
 In case of consideration for using Automotive equipment / device which demand high reliability, kindly contact our sales window correspondents.



NOTE 1. THIS CONTACT IS APPLICABLE TO THE WIRES, 20 TO 24.  
 HOWEVER, IT CANNOT BE USED FOR A QR/P6 SERIES CONNECTOR.

COUNT	DESCRIPTION OF REVISIONS	BY	CHKD	DATE	COUNT	DESCRIPTION OF REVISIONS	BY	CHKD	DATE
△				..	△				..
△				..	△				..
△				..	△				..

NO.	MATERIAL	FINISH, REMARKS	NO.	MATERIAL	FINISH, REMARKS
1	PHOSHOR BRONZE	SELECTIVE GOLD PLATING 0.2μm OVER NICKEL PLATING.			

CODE NO. (OLD)	DRAWN	DESIGNED	CHECKED	APPROVED	RELEASED
	<i>H. Yamashiro</i>	<i>H. Yamashiro</i>	<i>T. Watanabe</i>	<i>K. Miura</i>	..
	03.4.7	03.4.7	03.4.7	03.4.8	..

SCALE 10 : 1	DRAWING NO. EDC3-020657-01	PART NO. QR/P1-PC2B-121(12)
UNITS mm	<b>HRS</b> HIROSE ELECTRIC CO., LTD	CODE NO. CL221-0115-0-12