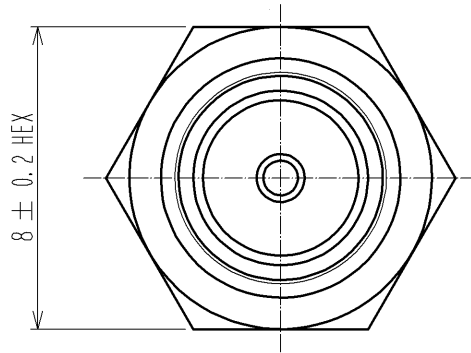


Aug.1.2022 Copyright 2022 HIROSE ELECTRIC CO., LTD. All Rights Reserved.  
 In case of consideration for using Automotive equipment / device which demand high reliability, kindly contact our sales window correspondents.

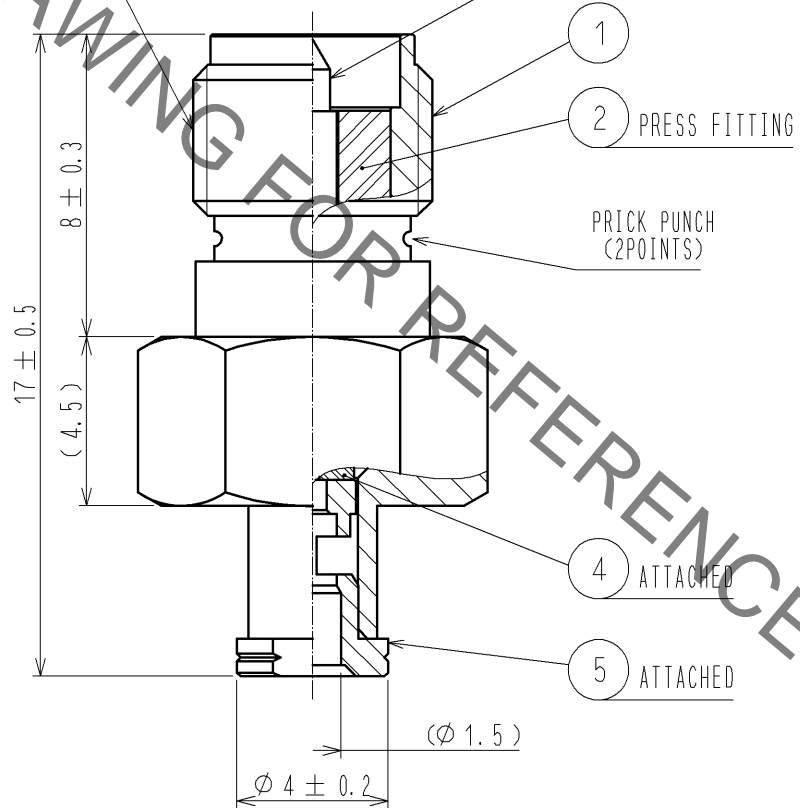
CABLE ASSEMBLY TOOL

FOR SOLDERING : HRM-200/SO-MD

FOR PRESS FITTING : HRM-200-JBN/CV-MD



1/4-36UNS-2A



RoHS COMPLIANT

3	BRASS	GOLD PLATING					
2	PTFE		5	BRASS	GOLD PLATING		
1	BRASS	NICKEL PLATING	4	PTFE			
NO.	MATERIAL	FINISH	REMARKS	NO.	MATERIAL	FINISH	REMARKS

UNITS mm		SCALE 5 : 1	COUNT 	DESCRIPTION OF REVISIONS	DESIGNED	CHECKED	DATE
-------------	--	----------------	-----------	--------------------------	----------	---------	------

HIROSE ELECTRIC CO., LTD.	APPROVED : MH. YAMANE	13. 06. 21	DRAWING NO.	EDC4-341886-00
	CHECKED : TS. NOBE	13. 06. 21	PART NO.	SMA(R)-200-066JBN
	DESIGNED : MS. MATSUMOTO	13. 06. 20	CODE NO.	CL323-0931-3-00
	DRAWN : MS. MATSUMOTO	13. 06. 20		