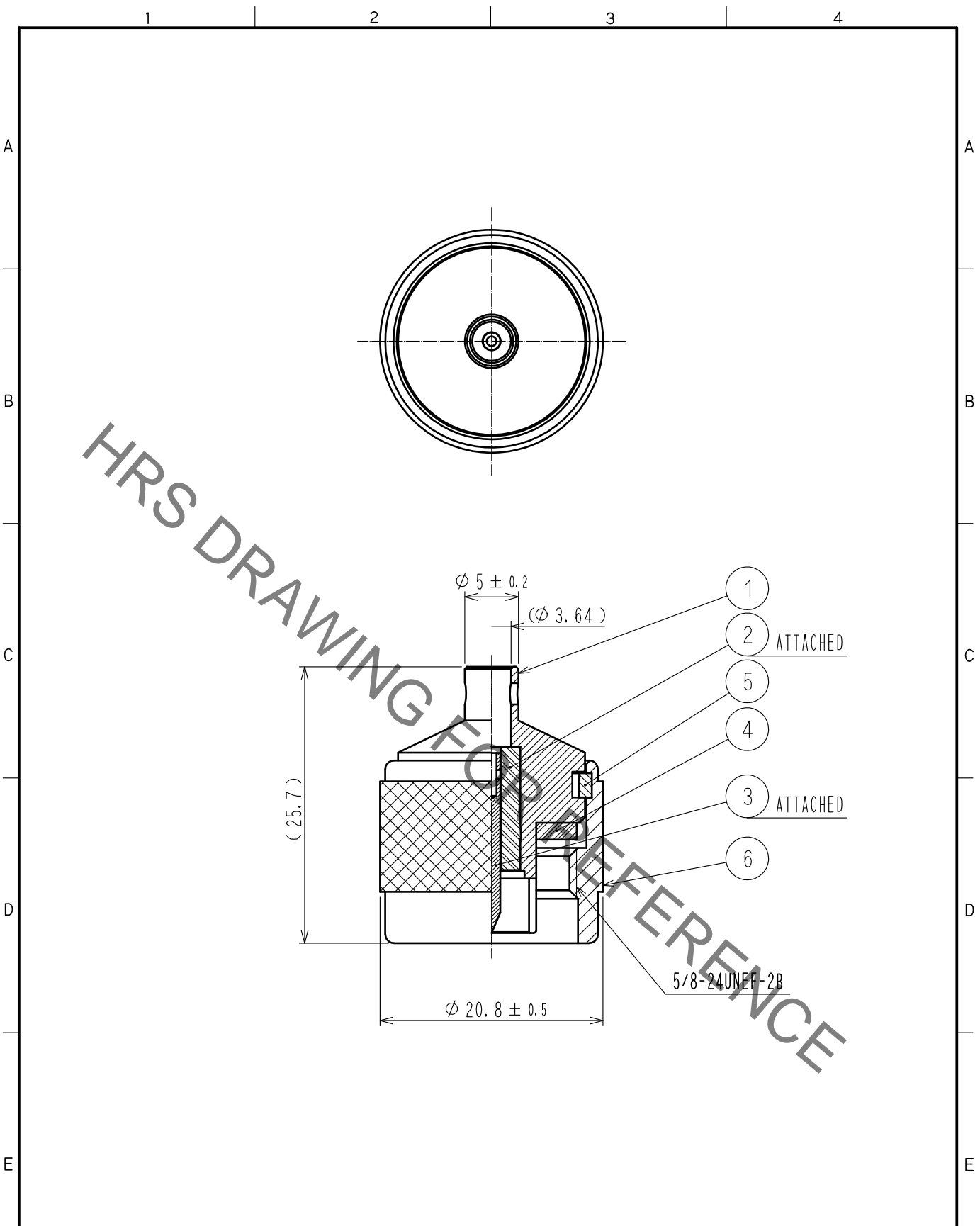


Aug.1.2022 Copyright 2022 HIROSE ELECTRIC CO., LTD. All Rights Reserved.
 In case of consideration for using Automotive equipment / device which demand high reliability, kindly contact our sales window correspondents.



3	BRASS	GOLD PLATING	6	BRASS	NICKEL PLATING
2	PTFE		5	PHOSPHOR BRONZE	NICKEL PLATING
1	BRASS	GOLD PLATING	4	SILICONE RUBBER	
NO.	MATERIAL	FINISH . REMARKS	NO.	MATERIAL	FINISH . REMARKS

UNITS mm		SCALE 2 : 1	COUNT 	DESCRIPTION OF REVISIONS	DESIGNED	CHECKED	DATE	
HIROSE ELECTRIC CO., LTD.		APPROVED : NK. NINOMIYA	20211005	DRAWING NO.	EDC-132168-40-00			
		CHECKED : NK. NINOMIYA	20211005	PART NO.	N-P-141-2(A)(40)			
		DESIGNED : MT. KANEKO	20211004	CODE NO.	CL0301-0262-8-40		1	1
		DRAWN : YK. MITSUISHI	20211004					