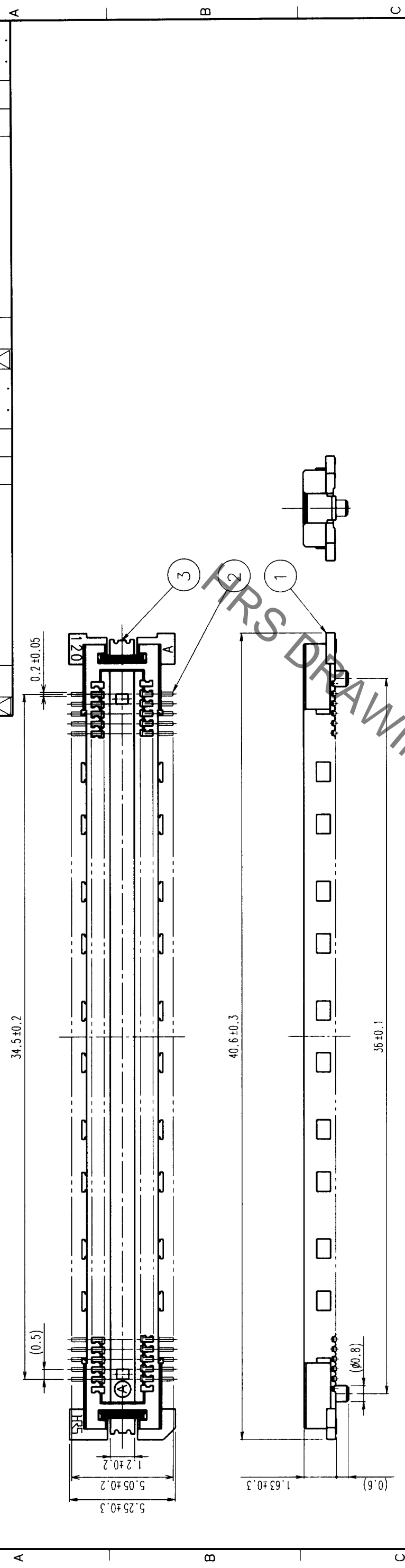
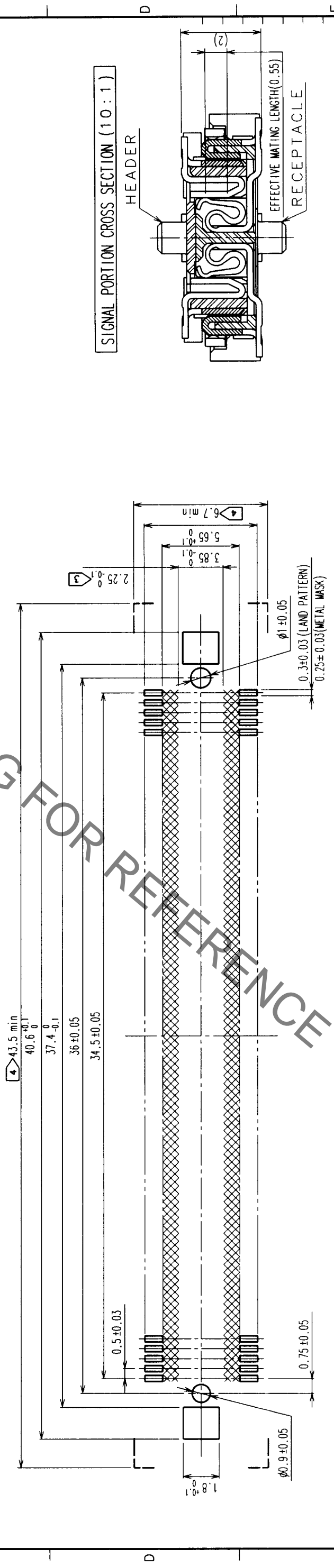


COUNT	DESCRIPTION OF REVISIONS	BY	CHKD	DATE	COUNT	DESCRIPTION OF REVISIONS	BY	CHKD	DATE



RECOMMENDED LAND PATTERN DIMENSION OF PCB



NO.	MATERIAL	FINISH, REMARKS	NO.	MATERIAL	FINISH, REMARKS
2	COPPER ALLOY	CONTACT AREA: GOLD (0.1μm) OVER NICKEL	3	PHOSPHOR BRONZE	TIN FINISH
1	LCP	LEAD: GOLD FLASH OVER NICKEL			
		BEIGE UL94V-0			

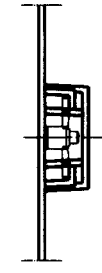
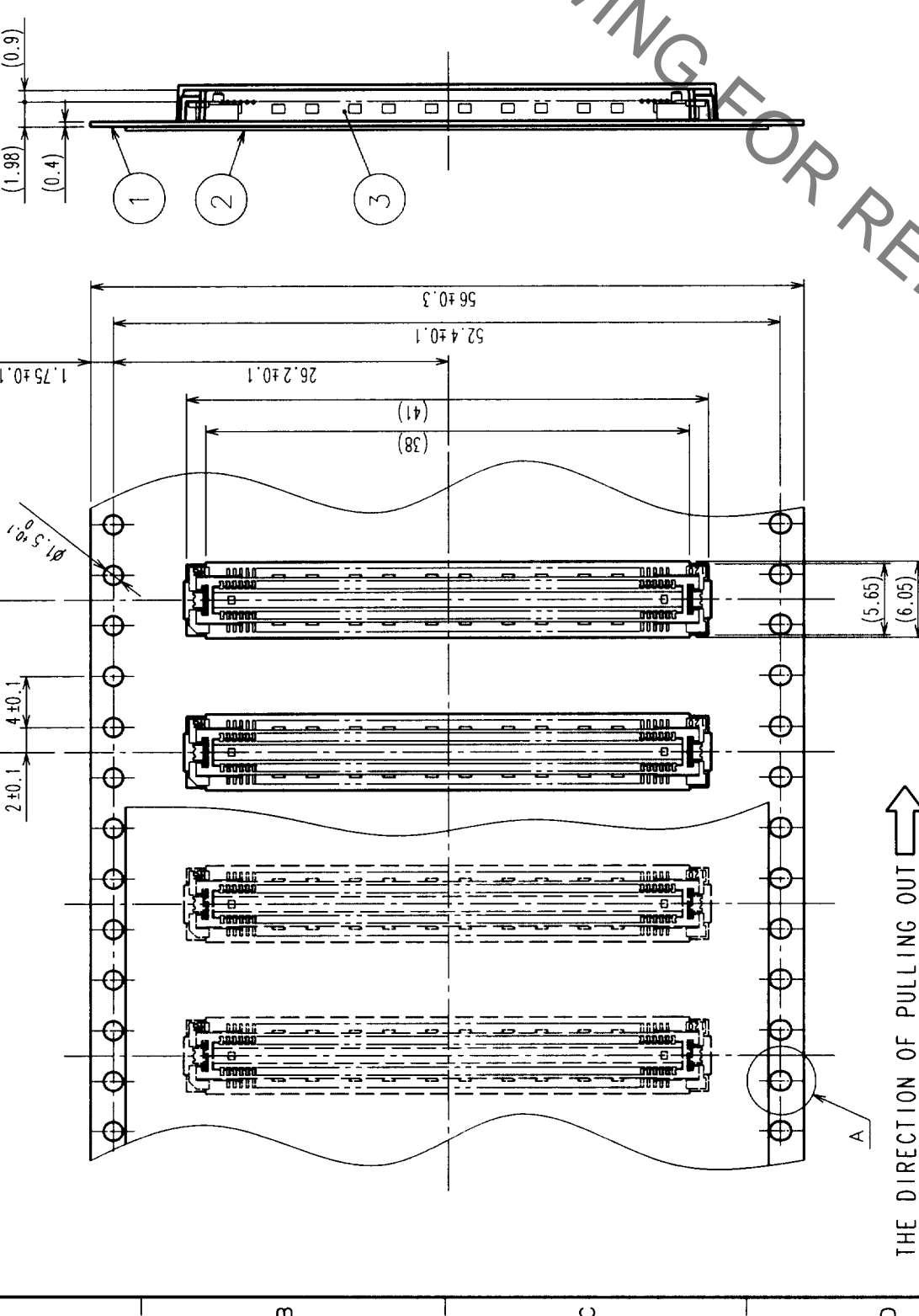
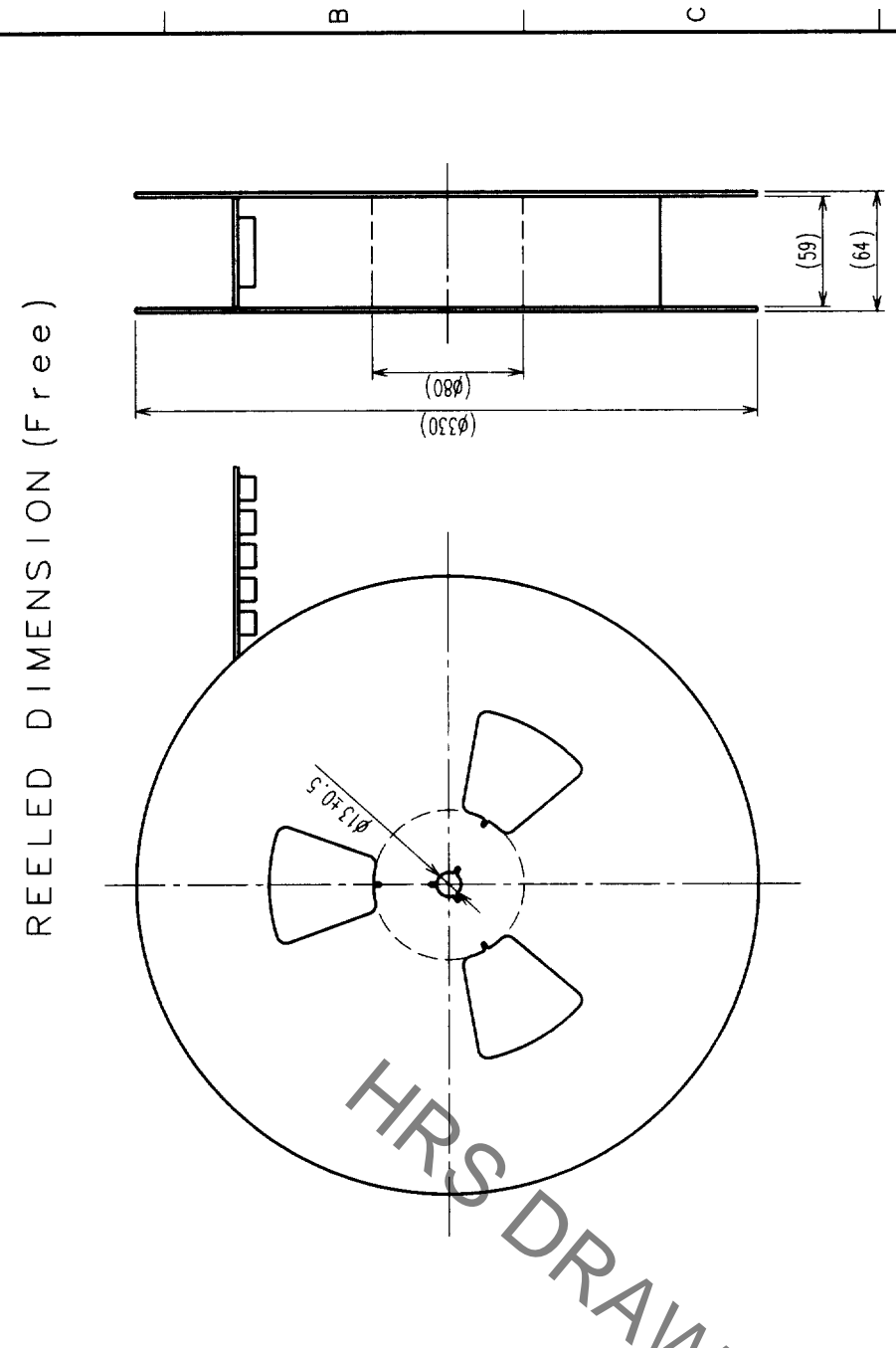
CODE NO. (OLD)	CL	DRAWN	CHECKED	APPROVED	RELEASED

DRAWING NO.	PART NO.
EDC3-152103-01	FX11LA-140P-SV (21)
SCALE 5:1	CODE NO. CL573-0045-0-21
UNITS mm	

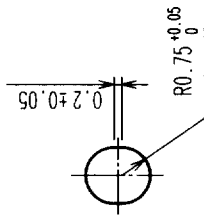
- NOTES
- SMT LEAD-COPLANARITY: 0.1 MAX.
 - THIS PRODUCT HAS NO POLARITY TO PATTERN FOR MOUNTING.
 - MAKE SURE WIDTH OF PATTERN IS WITHIN THAT OF LAND, OR LEAD MAY TOUCH PATTERN. (THIS APPLIES TO HATCHED AREA.)
 - DO NOT MOUNT OTHER DEVICES ONTO [] AREA, OR MATING PAIR CANNOT BE MATED.
 - TO BE EMBOSSED CARRIER TAPED AS SPECIFIED IN SHEET 2.

TO	
PCK	

COUNT	DESCRIPTION OF REVISIONS	BY	CHKD	DATE	COUNT	DESCRIPTION OF REVISIONS	BY	CHKD	DATE
△					△				
△					△				
△					△				

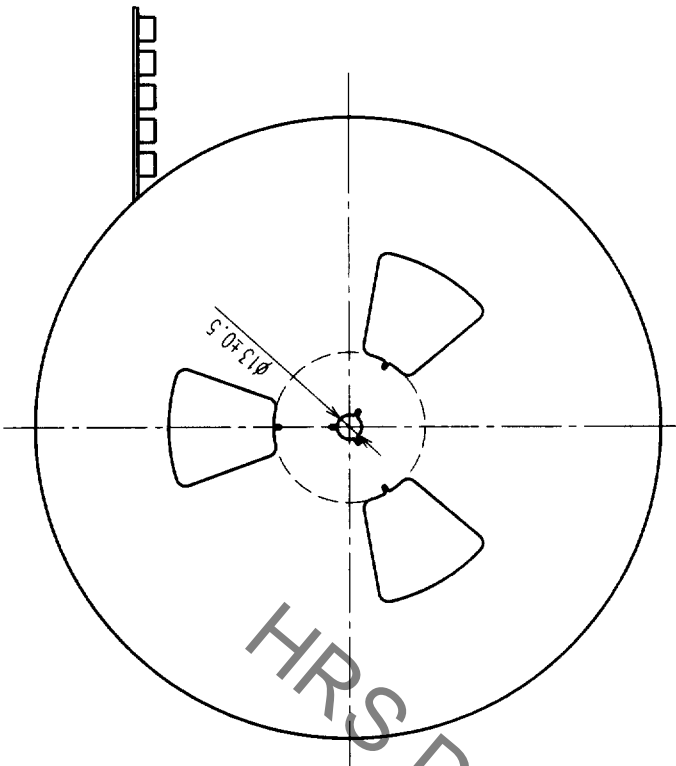


A (5:1)



THE DIRECTION OF PULLING OUT →

REELED DIMENSION (Free)



- NOTES 1 1 REEL: 1000 CONNECTORS.
- 2 MINIMUM 10 COMPARTMENTS FROM BOTH REEL ENDS REMAIN EMPTY.
- 3 THIS PRODUCT HAS NO POLARITY TO TAPE AND REEL PACKAGING.

2		TOP COVER TAPE		3		3		FINISH, REMARKS		FINISH, REMARKS	
PET	EMBOSSED CARRIER TAPE	MATERIAL	FINISH, REMARKS	NO.	MATERIAL	DESIGNED	CHECKED	APPROVED	RELEASED		
1	PS										
DRAWING FOR PACKING		DRAWN		DESIGNED		CHECKED		APPROVED		RELEASED	
CL		17.10.25		27.10.25		99.10.26		99.10.26			
DRAWING NO.		EDC3-152103-01		PART NO.		FX11LA-140P-SV(21)					
SCALE		2:1		CODE NO.		CL573-0045-0-21					
UNITS		mm		HRS		HIROSE ELECTRIC CO., LTD					

TO	
PCK	