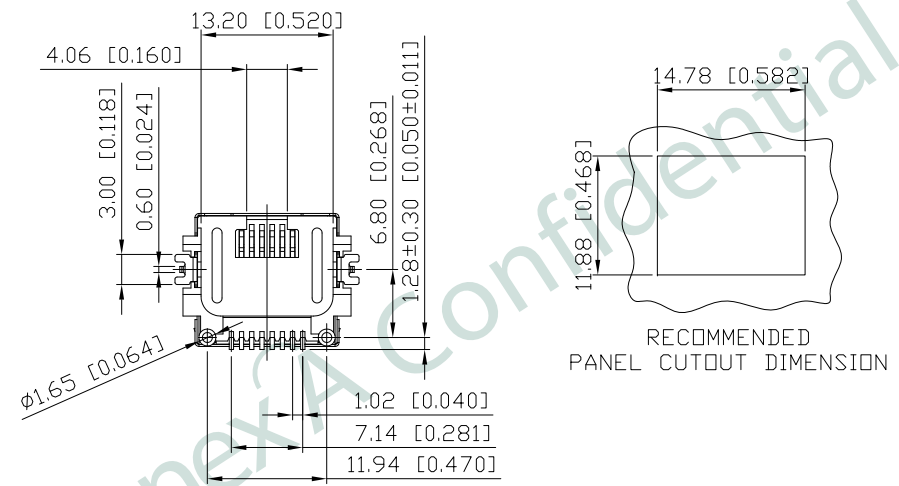
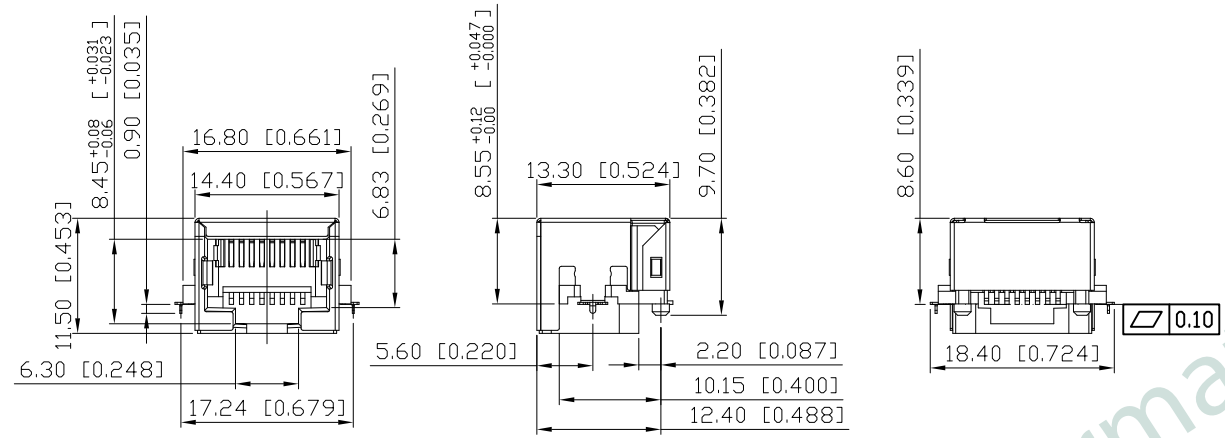


1. MECHANICAL DIMENSIONS :

REV.	DATE	DESCRIPTION
01	Nov, 14, '19	1st RELEASE

NOTES:

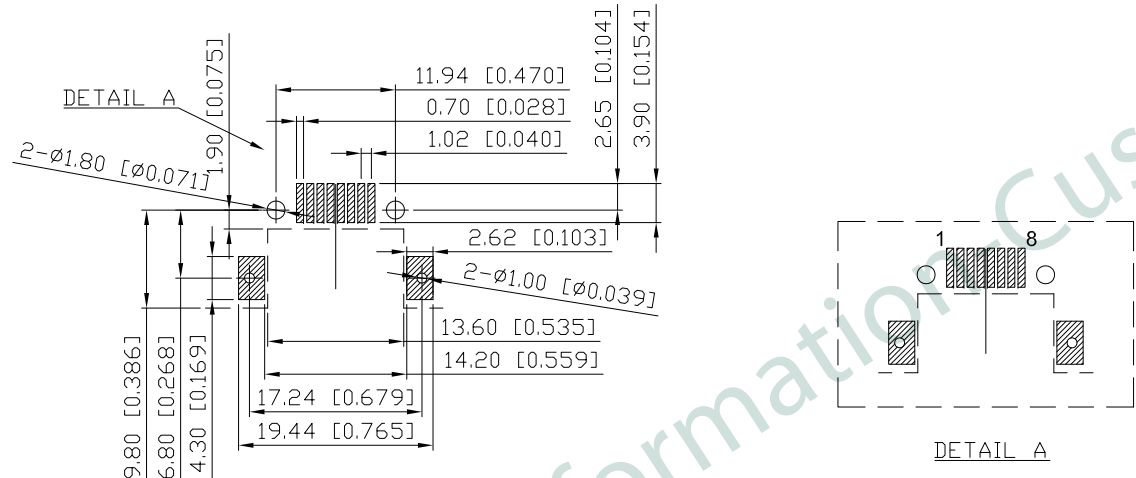
- MATERIAL:  
HOUSING: HIGH THERMOPLASTIC, UL94V-0, BLACK  
CONTACTS: T=0.30mm PHOS-BRONZE,  
GOLD FLASH PLATING ON CONTACT AREA,  
NICKEL UNDERPLATING OVERALL  
SHIELD: T=0.15mm COPPER ALLOY, NICKEL PLATING
- OPERATING TEMPERATURE: -40°C~+85°C
- MATING FORCE: 4 POUNDS MAX.  
UNMATING FORCE: 4 POUNDS MAX.
- DURABILITY: 750 MATING CYCLED MIN.
- CAVITY CONFORMS TO FCC RULES AND REGULATIONS PART 68, SUBPART F.
- UNSPECIFIED TOLERANCE: .XX ±0.25[0.010]  
.X ±0.30[0.012]



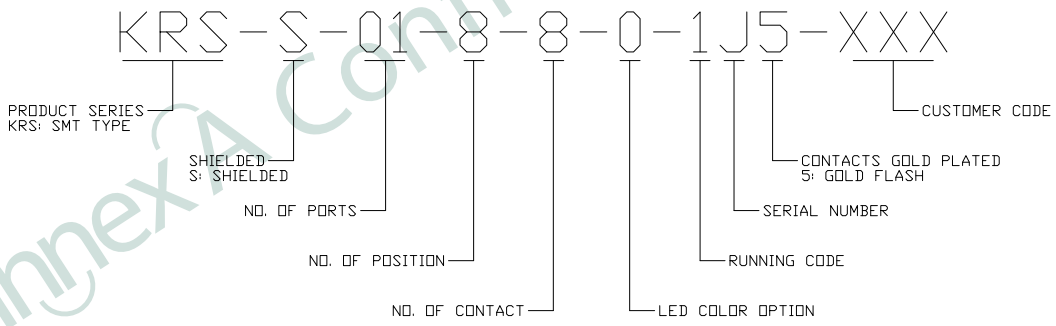
PART NO		KRS-S-01-8-8-0-1J5-XXX		
TITLE	RJ45 8P8C, W/O LED, SHIELDED, SMT			
REV : 01				
UNIT	DRAWN	CHKD	DATE	SHEET
mm[inch]	CINDY	VINCENT	Nov, 14, '19	1 of 4

RoHS Compliant

2. PCB LAYOUT :

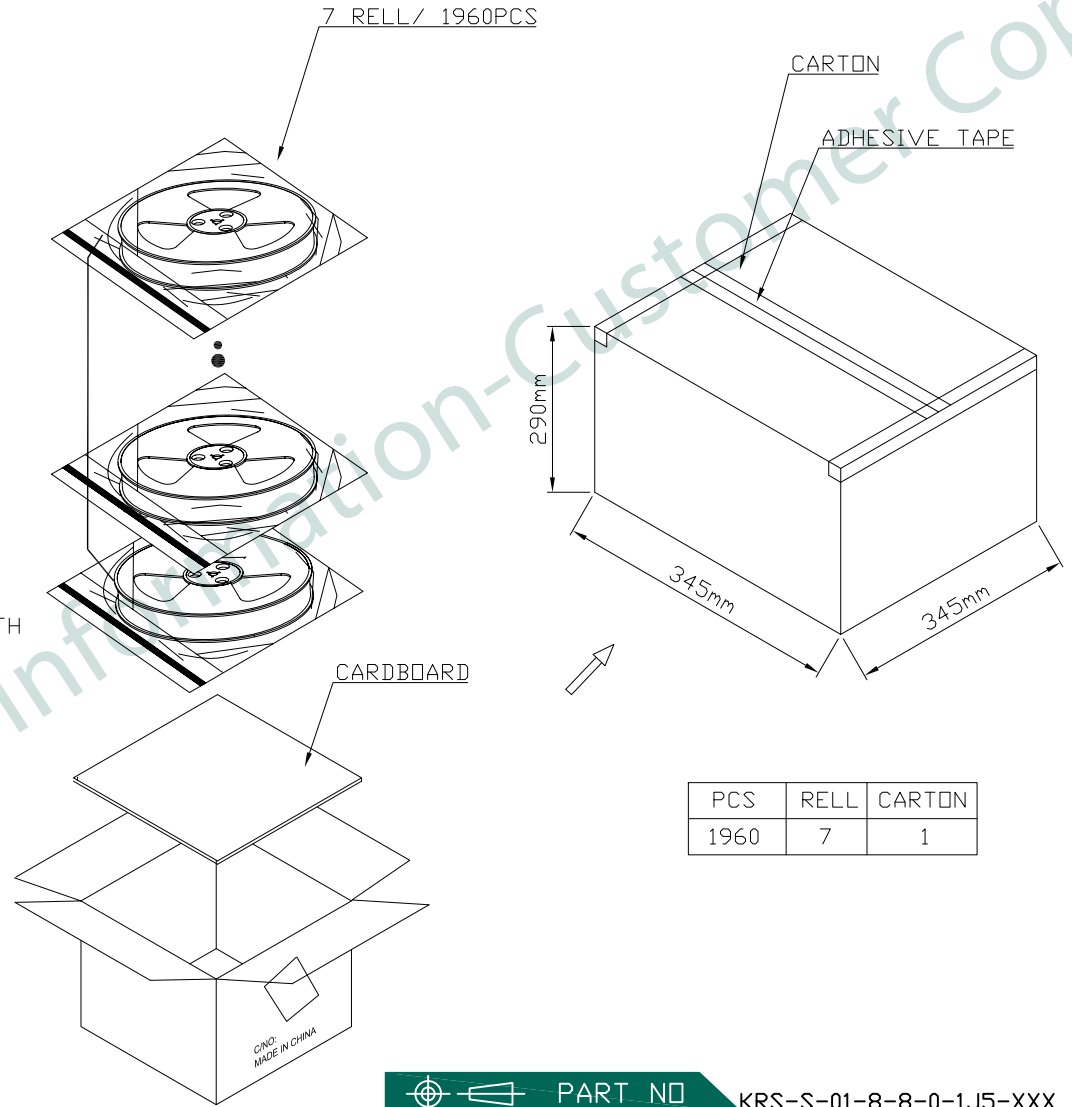
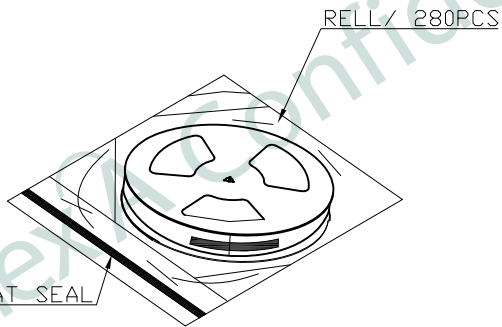
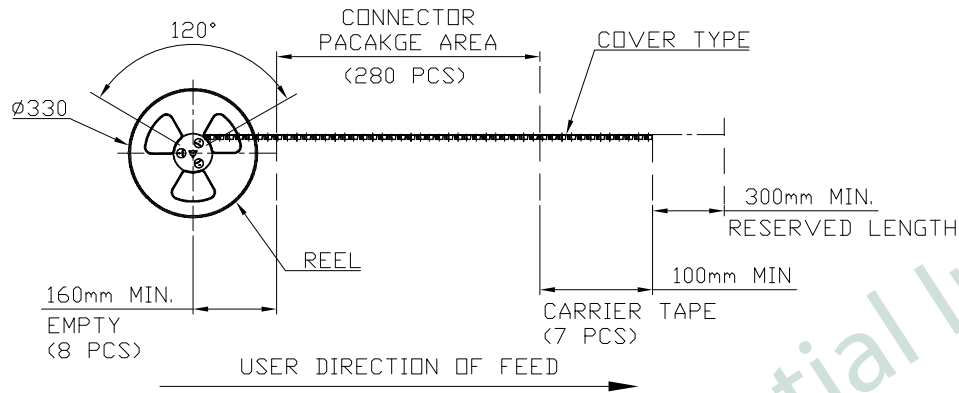
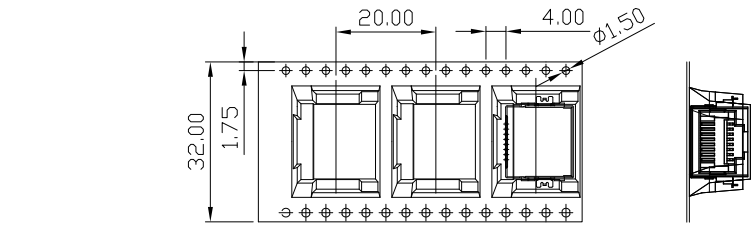


SUGGESTED PCB LAYOUT  
(TOP VIEW)  
DIMENSIONAL TOLERANCE: .XX ±0.08[0.003]



PART NO		KRS-S-01-8-8-0-1J5-XXX		
TITLE	RJ45 8P8C, W/O LED, SHIELDED, SMT			
REV : 01				
UNIT	DRAWN	CHKD	DATE	SHEET
mm[inch]	CINDY	VINCENT	Nov. 14, '19	2 of 4

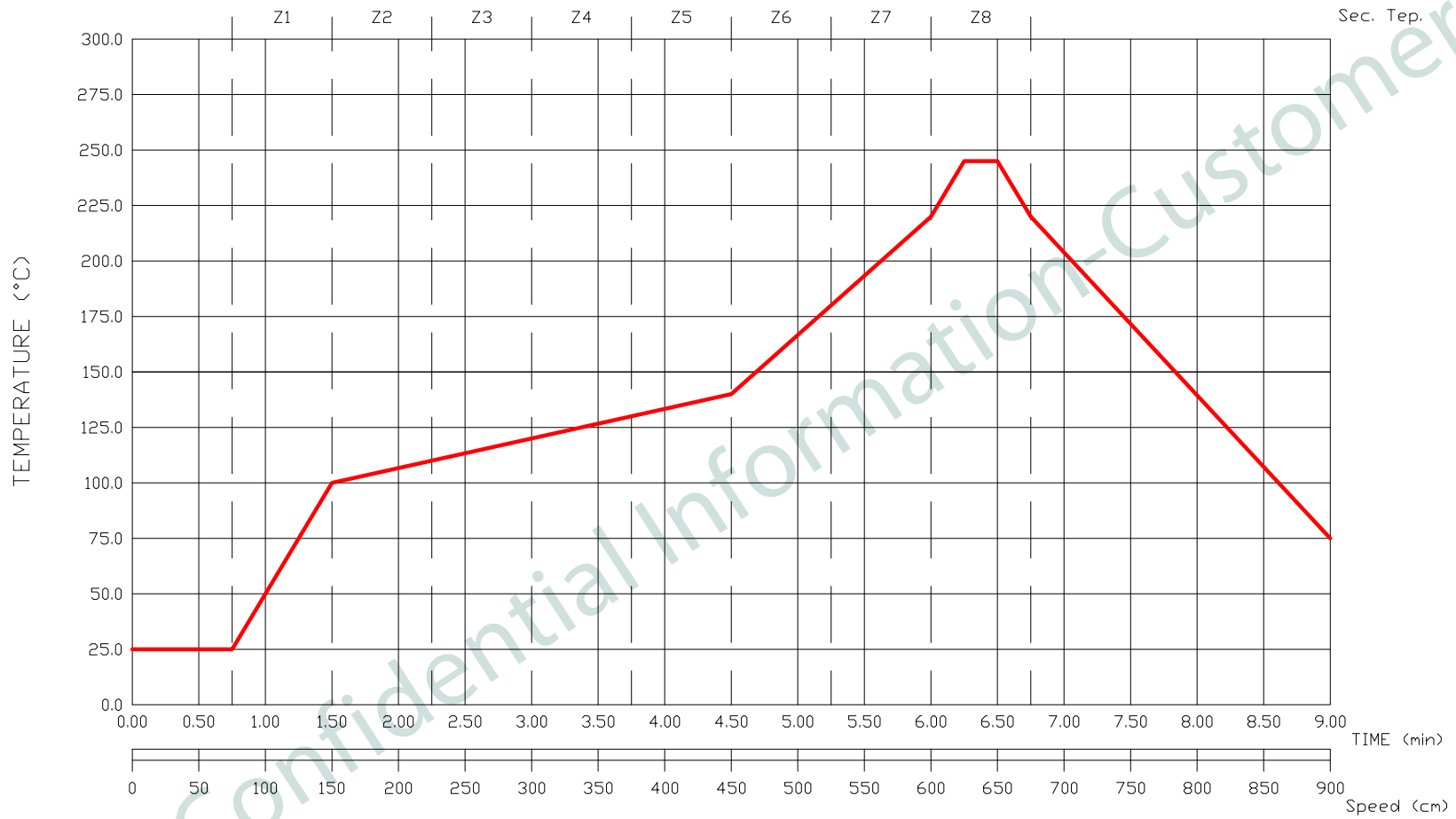
3. PACKING SPECIFICATION :



PCS	RELL	CARTON
1960	7	1

PART NO		KRS-S-01-8-8-0-1J5-XXX		
TITLE	RJ45 8P8C, W/O LED, SHIELDED, SMT			
REV : 01				
UNIT	DRAWN	CHKD	DATE	SHEET
mm[inch]	CINDY	VINCENT	Nov. 14, '19	3 of 4

4. PROFILE OF REFLOW:



PART NO KRS-S-01-8-8-0-1J5-XXX				
TITLE	RJ45 8P8C, W/O LED, SHIELDED, SMT			
REV : 01				
UNIT	DRAWN	CHKD	DATE	SHEET
mm[inch]	CINDY	VINCENT	Nov. 14, '19	4 of 4

DWG NO KRS-S-01-8-8-0-1J5-XXX

KinnexA, INC. 8F, NO. 172, CHENG TEH ROAD SEC. 4, TAIPEI 11167, TAIWAN

Connected by

**PRELIMINARY RELEASE SUBJECT TO CHANGE**

※ THIS DRAWING IS A CONTROLLED DOCUMENT ※

RoHS Compliant