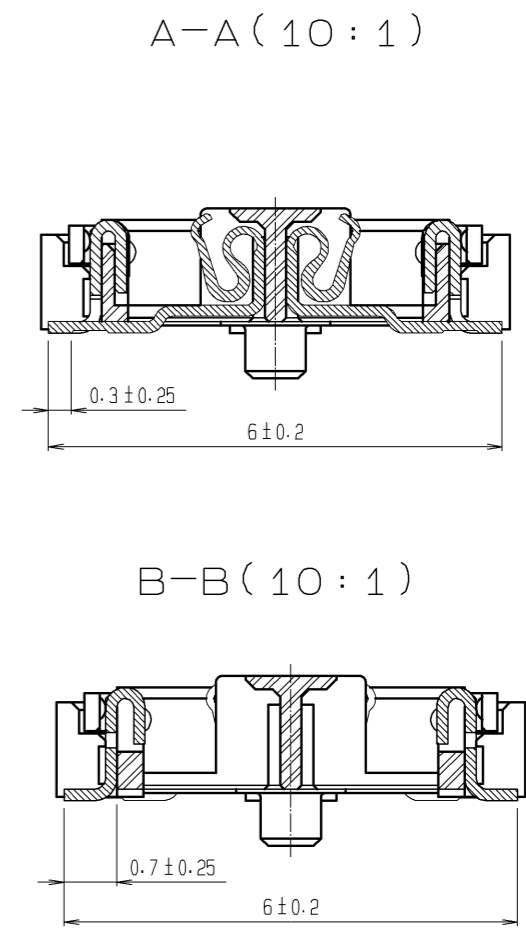
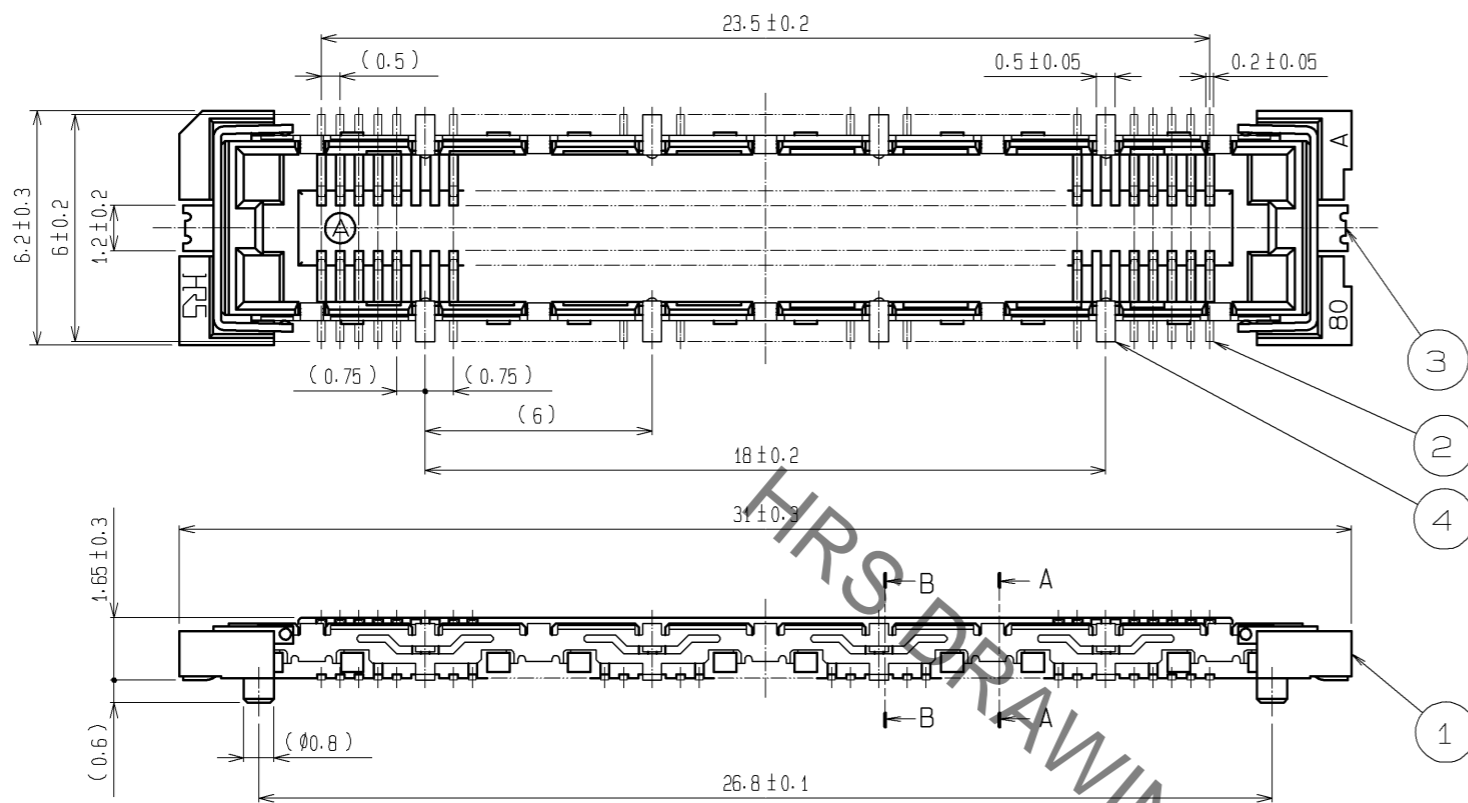
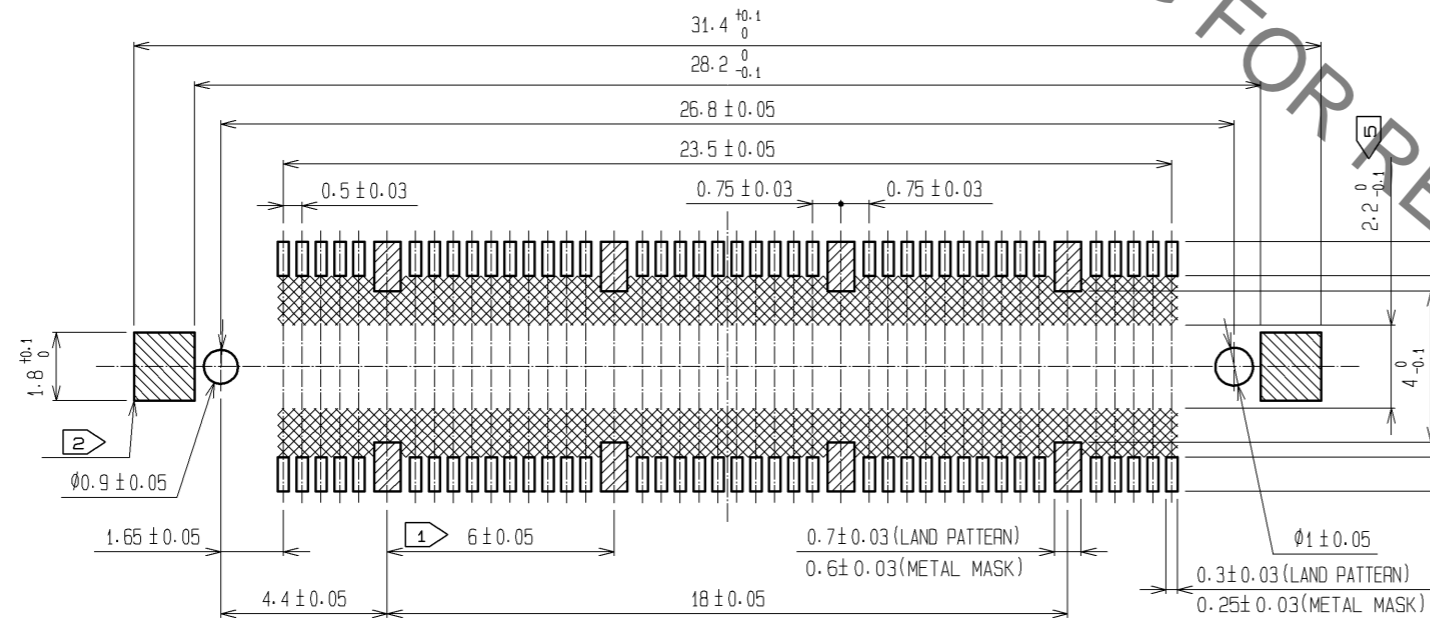


Aug.1.2022 Copyright 2022 HIROSE ELECTRIC CO., LTD. All Rights Reserved.
 In case of consideration for using Automotive equipment / device which demand high reliability, kindly contact our sales window correspondents.



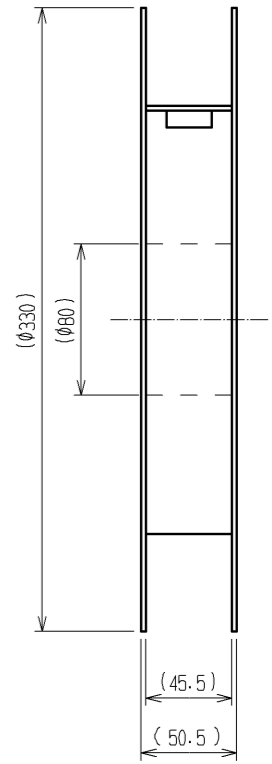
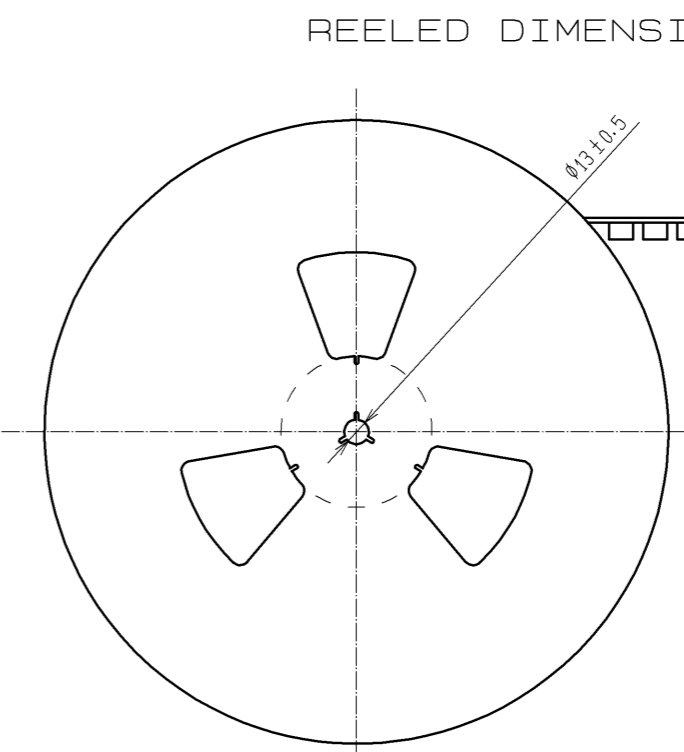
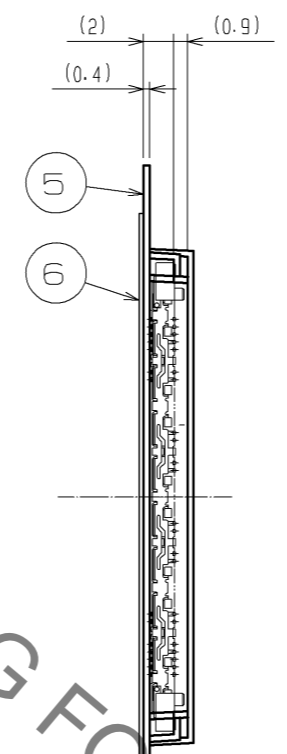
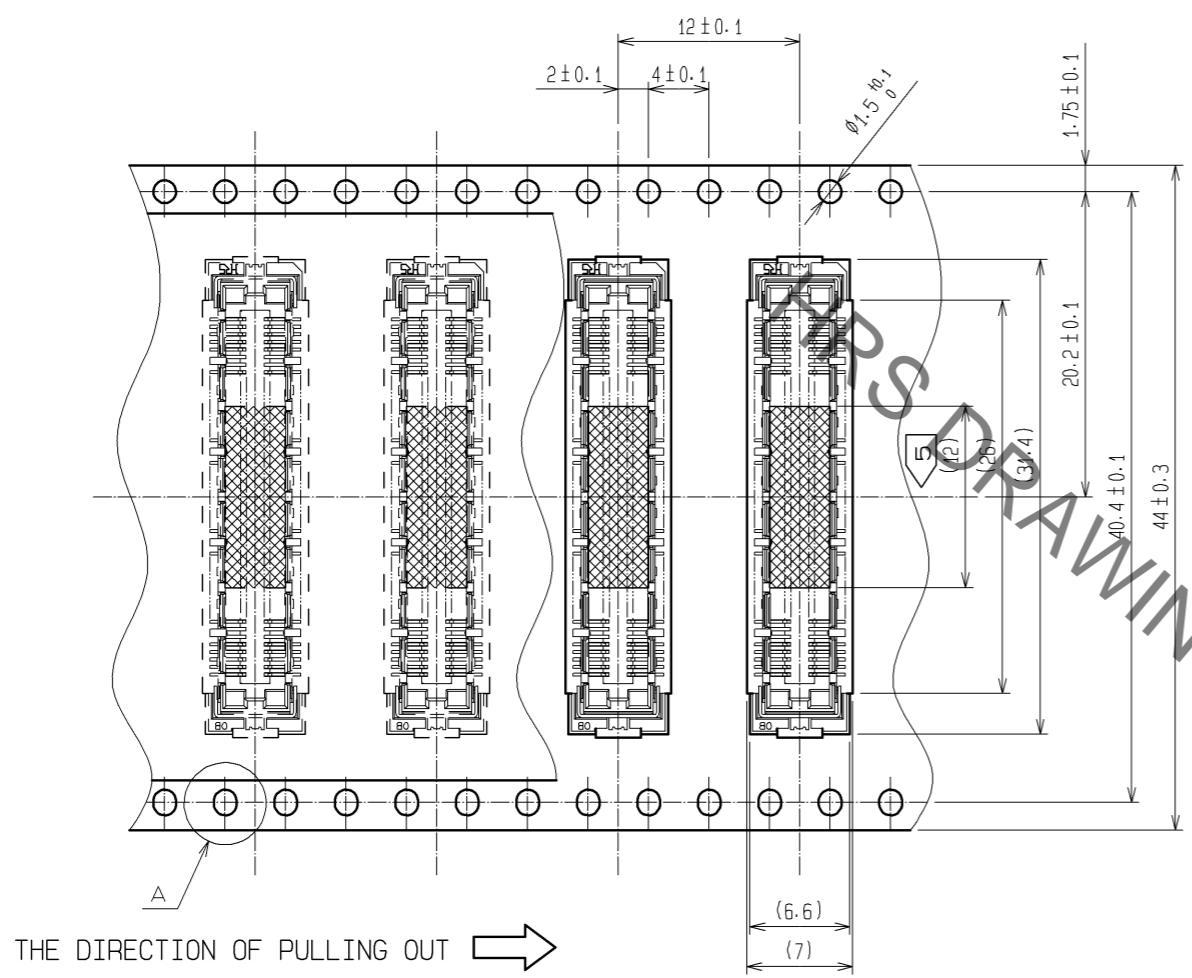
RECOMMENDED LAND PATTERN DIMENSION OF PCB



- NOTES
- ① 8 HATCHED PARTS: GROUND CIRCUIT.
 - ② 2 HATCHED PARTS: GROUND CIRCUIT.
 - ③ SMT LEAD-COPLANARITY: 0.1 MAX.
 - ④ THIS PRODUCT HAS NO POLARITY TO PATTERN FOR MOUNTING.
 - ⑤ MAKE SURE WIDTH OF PATTERN IS WITHIN THAT OF LAND, OR LEAD MAY TOUCH PATTERN. (THIS APPLIES TO HATCHED AREA.)
 - ⑥ TO BE EMBOSSED CARRIER TAPED AS SPECIFIED IN SHEET 2.
 - ⑦ THE DIMENSIONS IN PARENTHESES ARE FOR REFERENCE.

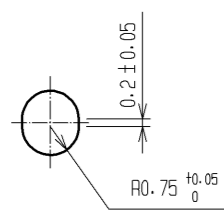
3, 4	PHOSPHOR BRONZE	TIN PLATING			
		CONTACT AREA : GOLD 0.1μm min.			
2	PHOSPHOR BRONZE	LEAD AREA : GOLD 0.05μm min.	7	POLYIMIDE	(TAPE FOR VACUUM PICKUP)
		UNDER PLATING : NICKEL 1μm min.	6	PET	TOP COVER TAPE
1	LCP	BEIGE UL94V-0	5	PS	EMBOSSED CARRIER TAPE
NO.	MATERIAL	FINISH . REMARKS	NO.	MATERIAL	FINISH . REMARKS
UNITS		SCALE	COUNT	DESCRIPTION OF REVISIONS	
mm		5 : 1		DESIGNED	CHECKED
HRS HIROSE ELECTRIC CO., LTD.		APPROVED : HS. OKAWA	11.12.14	DRAWING NO. EDC3-152109-22	
		CHECKED : HT. YAMAGUCHI	11.12.14	PART NO. FX11LA-80S/8-SV(92)	
		DESIGNED : YJ. ASAO	11.12.14	CODE NO. CL573-0103-4-92	
		DRAWN : YJ. ASAO	11.12.14	1/2	

DRAWING FOR PACKING(2:1)

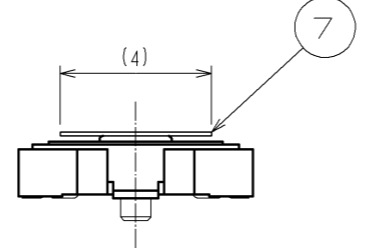


THE DIRECTION OF PULLING OUT →

A (5:1)



DETAIL FOR VACUUM PICKUP (5:1)



- NOTES
- 1 REEL : 1000 CONNECTORS.
 - 2 MINIMUM 10 COMPARTMENTS FROM BOTH REEL ENDS REMAIN EMPTY.
 - 3 THIS PRODUCT HAS NO POLARITY TO TAPE AND REEL PACKAGING.
 - 4 THE DIMENSIONS IN PARENTHESES ARE FOR REFERENCE.
 - 5 REMOVE THE VACUUM PICKUP TAPE AFTER MOUNTING THE CONNECTOR.

HRS	DRAWING NO.	EDC3-152109-22	△ 2/2
	PART NO.	FX11LA-80S/8-SV(92)	
	CODE NO.	CL573-0103-4-92	

Aug.1.2022 Copyright 2022 HIROSE ELECTRIC CO., LTD. All Rights Reserved. In case of consideration for using Automotive equipment / device which demand high reliability, kindly contact our sales window correspondents.