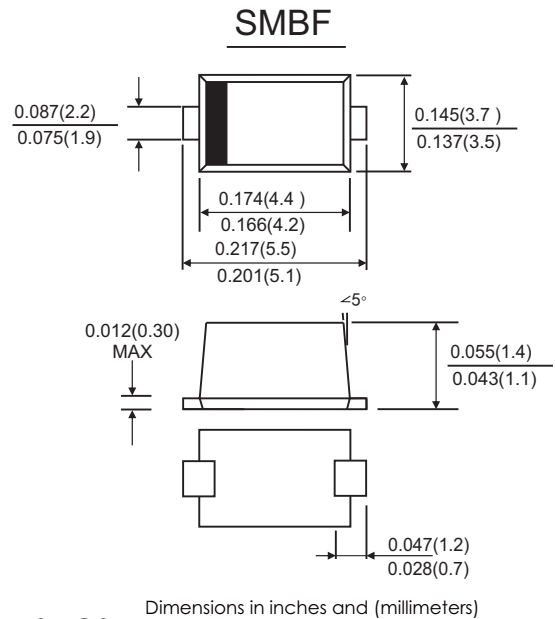


FEATURES

- Plastic package has Underwriters Laboratory Flammability Classification 94V-0
- Metal silicon junction ,majority carrier conduction
- For surface mount applications
- Low power loss ,high efficiency
- High current capability ,Low forward voltage drop
- Low profile package
- built-in strain relief ,ideal for automated placement
- For use in low voltage ,high frequency inverters, free wheeling ,and polarity protection applications
- High temperature soldering guaranteed:260°C/10 seconds at terminals
- Component in accordance to RoHS 2011/65/EU

MECHANICAL DATA

- Case: JEDEC SMB(DO-214AA) molded plastic body
- Terminals: solder plated ,solderable per MIL-STD-750,method 2026
- Polarity: color band denotes cathode end
- Weight: 0.003ounce,0.093 gram



MAXIMUM RATINGS AND ELECTRICAL CHARACTERISTICS

(Ratings at 25°C ambient temperature unless otherwise specified ,Single phase ,half wave ,resistive or inductive load. For capacitive load,derate by 20%.)

	Symbols	SS 32BT	SS 34BT	SS 345BT	SS 36BT	SS 310BT	SS 315BT	SS 320BT	Units	
Maximum repetitive peak reverse voltage	V_{RRM}	20	40	45	60	100	150	200	Volts	
Maximum RMS voltage	V_{RMS}	14	28	32	42	70	105	140	Volts	
Maximum DC blocking voltage	V_{DC}	20	40	45	60	100	150	200	Volts	
Maximum average forward rectified current (See Fig.1)	$I(AV)$	3.0							Amps	
Peak forward surge current 8.3ms single half sine-wave superimposed on rated load (JEDEC method)	I_{FSM}	80.0							Amps	
Maximum instantaneous forward voltage at 3.0 A(Note 1)	V_F	0.55		0.70		0.85	0.90	0.95	Volts	
Maximum instantaneous reverse current at rated DC blocking voltage(Note 1)	$T_a=25^\circ C$	100				20				μA
	$T_a=100^\circ C$	5				-				mA
	$T_a=125^\circ C$	-				3				mA
Typical junction capacitance(Note 3)	C_J	250				160				Pf
Typical thermal resistance (Note 2)	$R_{\theta JA}$	70.0							$^\circ C/W$	
	$R_{\theta JL}$	25.0								
Operating junction temperature range	T_J	-55 to +150							$^\circ C$	
Storage temperature range	T_{STG}	-55 to +150							$^\circ C$	

Notes: 1. Pulse test: 300 μs pulse width, 1% duty cycle

2. P.C.B. mounted 0.55 X 0.55"(14 X 14mm)copper pad areas

3. Measured at 1MHz and reverse voltage of 4.0volts

SS32BT THRU SS320BT

RATINGS AND CHARACTERISTIC CURVES

FIG.1-FORWARD CURRENT DERATING CURVE

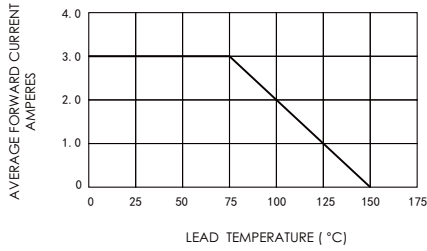


FIG.2-MAXIMUM NON-REPETITIVE PEAK FORWARD SURGE CURRENT

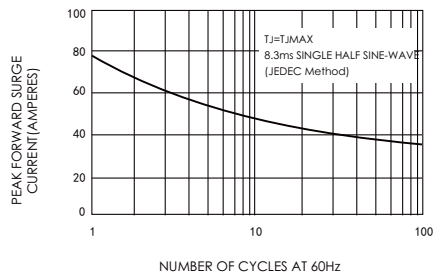


FIG.3-TYPICAL INSTANTANEOUS FORWARD CHARACTERISTICS

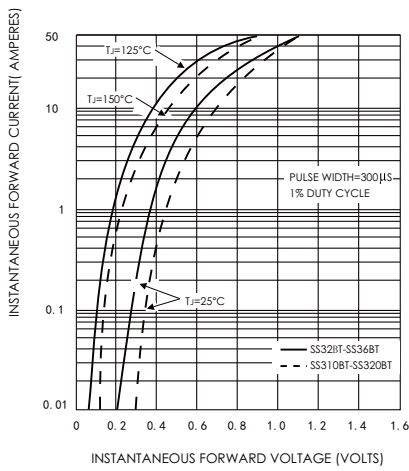


FIG.4-TYPICAL REVERSE CHARACTERISTICS

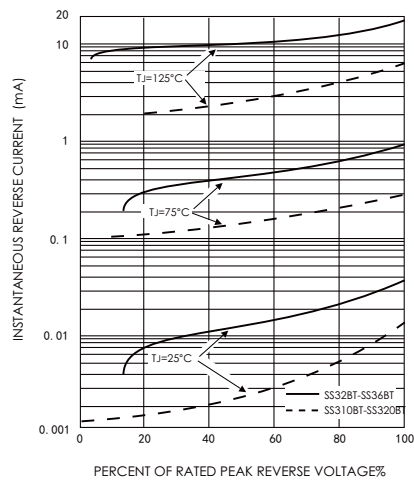


FIG.5-TYPICAL JUNCTION CAPACITANCE

