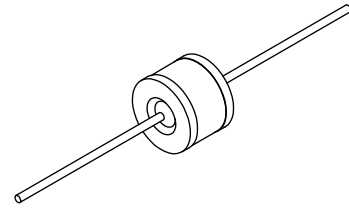


FEATURES

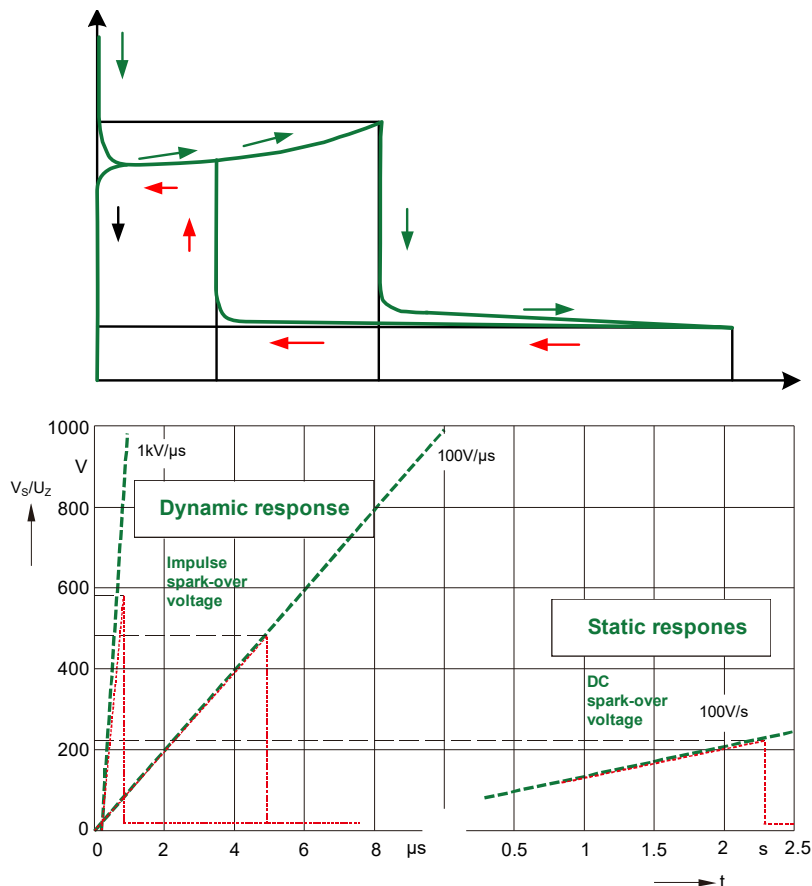
- ◆ Excellent transient voltage suppression
- ◆ High discharge current capability
- ◆ Wide range of voltage ratings
- ◆ Symmetrical V-I characteristics (Non-Polarity)
- ◆ Fast response
- ◆ Steady operation for repeating surge
- ◆ Low temperature coefficient
- ◆ High reliability



APPLICATIONS

- ◆ Broadband equipment
- ◆ CATV/Broadband equipment
- ◆ Data lines and Ethernet (up to 10GbE)
- ◆ ADSL equipment, including ADSL2, VSDL, VDSL2 30a bandplan compatible
- ◆ xDSL equipment
- ◆ IAD (Integrated Access Device)
- ◆ Set Top Box (STB)
- ◆ General telecom equipment
- ◆ Embedded Multimedia Terminal Adapter (EMTA)
- ◆ RF Connector
- ◆ Multimedia over Coax Alliance (MoCA)
- ◆ Base Station RF antenna transmitter
- ◆ G.Fast 106MHz and 212 MHz band plans compatible
- ◆ Aerospace and Automotive
- ◆ Primary protection module

CHARACTERISTICS



ELECTRICAL CHARACTERISTICS

Part Number	DC Breakdown Voltage	Maximum Impulse Breakdown Voltage		Maximum Impulse Discharge Current		Normal Alternating Discharge Current		Impulse Life	DC Holdover Voltage	Minimum Insulation Resistance	Maximum Capacitance
	V	V		KA@8/20µs		A		100A	V	GΩ	pF
	100V/s	100V/µs	1000V/µs	1time	10time	50Hz,1sec	Single 9cycles	Times	< 150ms	Note3	1MHZ
2R070	70±20%	500	600	20	15	10	65	500	52	1	1.5
2R075	75±20%	500	600						52		
2R090	90±20%	500	600						52		
2R120	120±20%	500	700						52		
2R130	130±20%	500	700						52		
2R145	145±20%	500	700						52		
2R230	230±20%	500	700						80		
2R250	250±20%	500	700						135		
2R300	300±20%	700	900						135		
2R350	350±20%	700	900						135		
2R400	400±20%	800	1000						135		
2R470	470±20%	900	1100						135		
2R600	600±20%	1100	1300						135		
2R800	800±20%	1300	1500	15	10	135					
2R1000	1000±20%	1700	2000	135							

- Note: 1. UL497B Recognized, File E223314
 2. UL1449 4th Recognized, File E315423 (600、800 & 1000)
 3. Insulation resistance test condition:

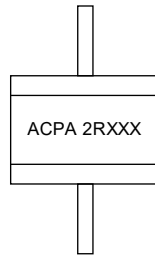
DC Breakdown Voltage	DC Measuring Voltage
70-150V	50V
151-400V	100V
401-1000V	250V
1001-2000V	500V
> 2001V	1000V

PART NUMBER SYSTEM

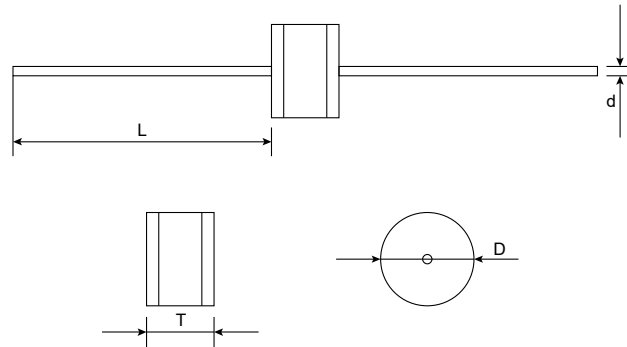


2R SERIES

MARKING



DIMENSIONS (unit: mm)



DIM	Millimeters			Inch		
	Min	Typ	Max	Min	Typ	Max
D	7.50	8.00	8.30	0.2953	0.3150	0.3268
T	5.50	6.00	6.30	0.2165	0.2362	0.2480
d	0.75	0.80	0.85	0.0295	0.0315	0.0335
L	-	20.00	-	-	0.7874	-

PACKAGING

Part Number	Quantity	Packaging
2RXXX	100pcs	Plastic tray
2RXXX	500pcs	Reel