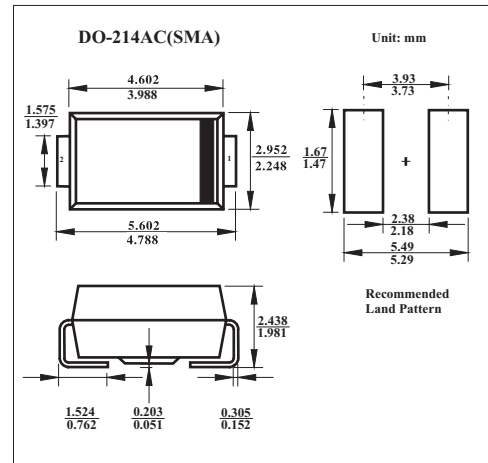


High-Current Density Surface Mount Schottky Rectifier B340A

■ Features

- Low power loss, high efficiency
- Low profile surface mount package
- Built-in strain relief
- For use in low voltage high frequency inverters, free wheeling, and polarity protection applications
- Guardring for overvoltage protection



■ Absolute Maximum Ratings and Electrical Characteristics Ta = 25°C

Parameter	Symbol	Rating	Unit
Maximum repetitive peak reverse voltage	V _{RRM}	40	V
Maximum RMS voltage	V _{RMS}	28	V
Maximum DC blocking voltage	V _{DC}	40	V
Maximum average forward rectified current T _L	I _{F(AV)}	3.0	A
Peak forward surge current 8.3ms single half sine-wave superimposed on rated load (JEDEC Method)	I _{FSM}	65	A
Typical thermal resistance	R _{θJA}	110	°C/W
	R _{θJL}	28	
Operating junction temperature range	T _J	-65 to +150	°C
Storage temperature range	T _{STG}	-65 to +150	°C

■ Electrical Characteristics Ta = 25°C

Parameter	Symbol	Testconditions	Min	Typ	Max	Unit
Maximum instantaneous forward voltage at 3.0A*	V _F	T _J =25°C			0.55	V
Maximum DC reverse current at rated DC blocking vottage *	I _R	T _J =25°C			0.5	mA

* Pulse test: 300 μ s pulse width, 1% duty cycle