

SHARP GP2W0110YPS/GP2W0114YPS

IrDA Technical Information Low Power Infrared Transceiver



FEATURES

- IrDA Low Power Option Compatibility for Telecommunication and Mobile Terminals
- Industry Low Volume Package Design for a Low Power Transceiver:
 - 7.6(W) × 2.65(D) × 2.0(H) mm, 40.28 mm³
- Low Power Consumption with Built-in Shut-Down Mode 0.2 μA (TYP.)
- Low and Wide Range Operating Voltage:
 - V_{DD} = 2.0 V to 3.6 V, V_{LEDA} = 2.0 V to 6.0 V
- Soldering Reflow Capable
- SMD Lead-less Package Design Provides Flexibility with either Vertical Mount or Horizontal Mount to PCBs
- Replaces GP2W0102YP, GP2W0104YP, and GP2W0106YP
- Added Features include Tri-state Output and Split-voltage Supply Capability
- Fully Compatible with Agilent HSDL 3201
- TOP View Version: GP2W0114YPS

APPLICATIONS

- Telecommunication Products
 - Cellular Phones
 - Pagers
 - Smart Phones
- Mobile Products
 - PDAs
 - Electronic Wallets
 - Mini-Notebook PCs
- Imaging Products
 - Portable Printers
 - Portable Text Scanners

DESCRIPTION

The SHARP GP2W0110YPS/GP2W0114YPS are low-power, short-range infrared transceiver modules. They meet the Mobile Communication Low Power Option within the IrDA Specification for the 20 cm communication range. When operating at lower supply voltages, these units provide a reliable interface between logic and IR signals. Applications include through-air, serial, half-duplex IR wireless data links at rates up to 115 kbit/s and the devices are designed to satisfy the IrDA Physical Layer Specifications.

The SHARP GP2W0110YPS/GP2W0114YPS infrared transceiver modules contain a high speed, high efficiency, low power consumption AlGaAs LED, silicon PIN photodiode, and the low power driven bipolar integrated circuit. The IC contains a LED driver circuit and a receiver that provides the Rx output supporting 2.4 kbit/s to 115.2 kbit/s IrDA signals. They meet the IrDA Low Power Option Communication Standard link distance of 0.2 m with low power devices and 0.3 m with standard devices.

The GP2W0110YPS/GP2W0114YPS include a constant-current source in the LED driver circuit that eliminates the need for an external current limiting resistor in the LED circuit.

The IrDA Low Power Option Standard is most suitable for telecommunication products and mobile terminals, such as cellular phones, paging devices, and PDA-cellular combined multimedia devices. The transceiver modules provide wireless data link capability for cellular phones and pagers, PDAs, or any other IrDA application already on the market.

The transceiver modules' receiver electronics operate at voltages from 2.0 V through 3.6 V without any performance degradation. The split-voltage supply allows the LED voltage to come from a separate supply. An example is in cell phones where the LED may operate from the battery and the receiver and logic section is supplied from a regulated supply at a lower voltage.

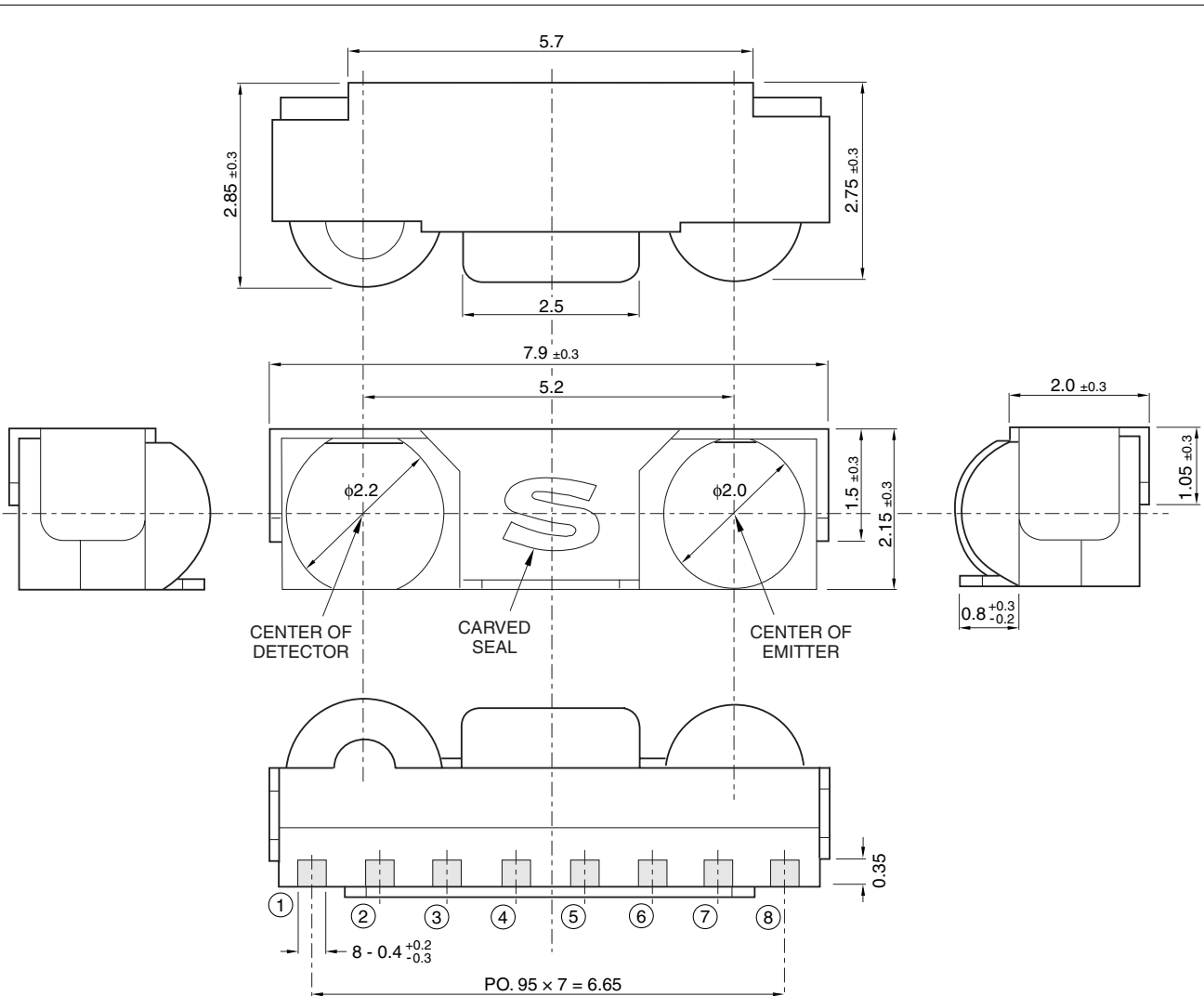
This provides manufacturers with the advantage of an energy saving design in any application field, with alternatives for supply voltage and flexibility for other components. The GP2W0110YPS/GP2W0114YPS transceiver modules have a built-in 0.1 μA Shutdown mode for those applications that are very conscious about current consumption. Additionally, the GP2W0110YPS/GP2W0114YPS have a tri-state output, which allow their use in applications where one port connection may be connected to more than one device.

The included shield is appropriate in applications where Electro-Magnetic Interference (EMI) is a concern. Infrared energy is immune to EMI, but the receiving PIN photodiode is somewhat sensitive to EMI. This is the case in all IR communication devices.

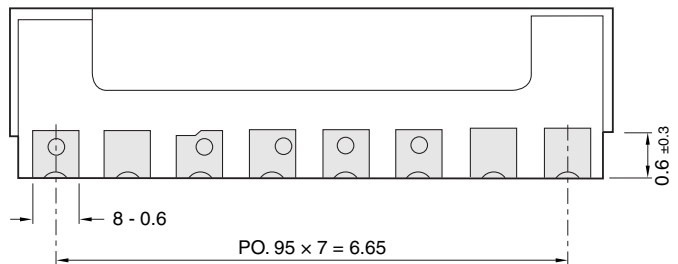
OUTLINE DIMENSIONS

The dimensions below are only for design reference, and are subject to change without notice. The metal

shield case provides excellent noise immunity. Contact your local SHARP office for the latest device specifications.



PIN	PIN NAME	SYMBOL
①	NC	NC
②	NC	NC
③	V _{CC}	V _{CC}
④	Ground	GND
⑤	Shutdown	SD
⑥	Receiver Data Output	RxD
⑦	Transmitter Data Input	TxD
⑧	LED Anode	LEDA



NOTES:

1. Dimensions are in mm.
2. Unspecified tolerances are ±0.2
3. Adhesion of resin to the terminal area are allowed 0.2 mm MAX.
4. area: Gold plating

GP2W0110YPS-15

Figure 1. GP2W0110YPS/GP2W0114YPS Outline Dimensions

ABSOLUTE MAXIMUM RATINGS

PARAMETER	SYMBOL	MIN.	MAX.	UNIT
Supply Voltage	V_{DD}	0	6.0	V
LED Supply Voltage	V_{LEDA}	0	7.0	V
Peak Forward LED Current	I_{FM}		60	mA
Operating Temperature	T_{OPR}	-40	+85	°C
Storage Temperature	T_{STG}	-40	+85	°C
Soldering Temperature*	T_{SOL}		230	°C

NOTE: *See Figure 12 for Soldering Reflow Profile.

RECOMMENDED OPERATING CONDITIONS

PARAMETER	SYMBOL	MIN.	MAX.	UNIT	NOTES
Supply Voltage	V_{DD}	2.0	3.6	V	
LED Supply Voltage	V_{LEDA}	2.0	6.0	V	
Logic HIGH Shut-down Terminal Input Voltage	V_{IHSD}	$V_{DD} \times 0.67$	V_{DD}	V	1
Logic LOW Shut-down Terminal Input Voltage	V_{ILSD}	0.0	$V_{DD} \times 0.1$	V	2
Logic HIGH Transmitter Input Voltage (TxD)	$V_{IH TXD}$	$V_{DD} \times 0.75$	V_{DD}	V	3
Logic LOW Transmitter Input Voltage (TxD)	$V_{IL TXD}$	0.0	$V_{DD} \times 0.2$	V	4
Logic HIGH Receiver Input Irradiance	E_{IH}	9.0		$\mu\text{W}/\text{cm}^2$	5, 6
Receiver Signal Rate	BR	2.4	115.2	kbit/s	
Operating Temperature	T_{OPR}	-25	+85	°C	7

NOTES

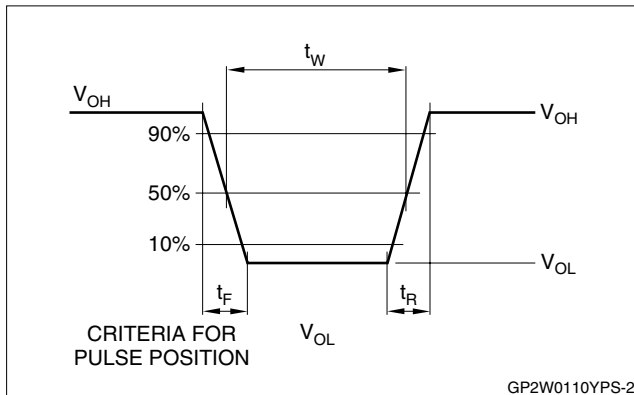
1. Shutdown mode
2. Normal mode
3. LED ON
4. LED OFF
5. Bit rate = 2.4 kbit/s ~ 115 kbit/s (in-band signals)
6. An in-band optical signal is a pulse/sequence where the peak wavelength, λ_p , is defined as $850 \text{ nm} \leq \lambda_p \leq 900 \text{ nm}$, and the pulse characteristics are compliant with the IrDA Serial Infrared Physical Layer Link Specifications.
7. 25°C (TYP.)

ELECTRICAL AND OPTICAL SPECIFICATIONS

PARAMETER	SYMBOL	MIN.	TYP.	MAX.	UNIT	CONDITIONS	NOTES
Maximum Reception Distance	L	≥ 0.2			m	$2\theta_{1/2} \leq 15^\circ$, $I_E = 3.6 \text{ mW/sr}$	1, 2
High Level Output Voltage	V_{OHRXD}	$V_{DD} - 0.4$			V	$I_{OH} = 20 \mu\text{A}$	1, 2
Low Level Output Voltage	V_{OLRXD}			0.45	V	$I_{OL} = 20 \mu\text{A}$	1, 2
Viewing Angle	2θ	30			degrees		1, 2
Low Level Pulse Width	t_W	1.0		3.0	μs	$\text{BR} = 115.2 \text{ kbit/s}$, $2\theta_{1/2} \leq 15^\circ$	1, 2
Current Consumption	I_{DD}		90	120	μA	No input signal, $SD = 0 \text{ V}$, Output Terminal OPEN	1, 2
	I_{DDS}		0.01	2.0	μA	Shutdown Mode, no input signal, $V_{IHSD} = V_{DD} - 0.5 \text{ V}$, Output Terminal OPEN, $T_{OPR} = 25^\circ\text{C}$, $V_{DD} = 3.3 \text{ V}$.	1, 2
Rise Time	t_R			0.19	μs		1, 2, 3
Fall Time	t_F			0.19	μs		1, 2, 3
Latency	t_{TAT}		25	300	μs		1, 2
Receiver wakeup time	t_{SDW}			200	μs		1, 2
Radiant Intensity	I_E	3.6		25	mW/sr		
Peak Emission Wavelength	λ_P	850	870	900	nm	$2\theta_{1/2} \leq 15^\circ$, $\text{BR} = 115.2 \text{ kbit/s}$, $V_{LEDA} = 3.3 \text{ V}$, $V_{IHTXD} = 2.8 \text{ V}$,	1, 2
Peak LED Current	I_{LED}		32		mA		
Shutdown input current	I_{ISD}	-0.02	0	+0.02	μA		
TxD high level input current	I_{IHTXD}			50	μA	$T_{OPR} = 25^\circ\text{C}$, $V_{DD} = 3.3 \text{ V}$.	1, 2
TxD low level input current	$I_{ILT XD}$			0.2	μA		

NOTES:

1. These specifications reflect the Recommended Operating Conditions, unless otherwise noted.
2. All typical values are at 25°C and $V_{DD} = 2.0 \text{ V}$ to 3.6 V , unless otherwise noted.
3. See Figure 3.



**Figure 2. GP2W0110YPS/GP2W0114YPS
Infrared Transceiver Module Output Waveform**

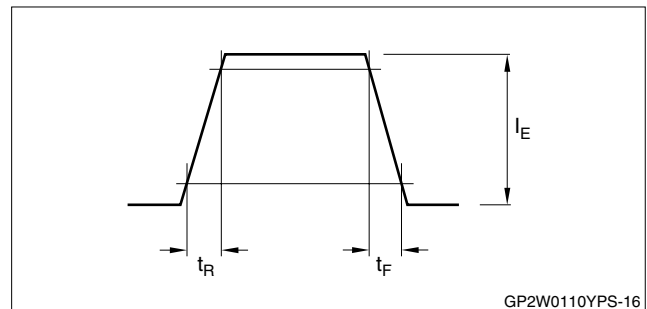


Figure 3. Standard Optical System

Table 1. Truth Table

SD	TxD	LED	RECEIVER	TR1	TR2	RxD
LOW	HIGH	ON	Don't Care			Not valid
	LOW	OFF	IrDA Signal	OFF	ON	LOW
			No signal	ON	OFF	HIGH
HIGH	Don't care	OFF	Don't care	OFF	OFF	Pull-up

Table 2. Pinouts

PIN NO.	DESCRIPTION	SYMBOL
1	No Connection	NC
2	No Connection	NC
3	Supply Voltage	V _{DD}
4	Ground	GND
5	Shutdown	SD
6	Receiver Data Output	RxD
7	Transmitter Data Input	TxD
8	LED Anode	LEDA

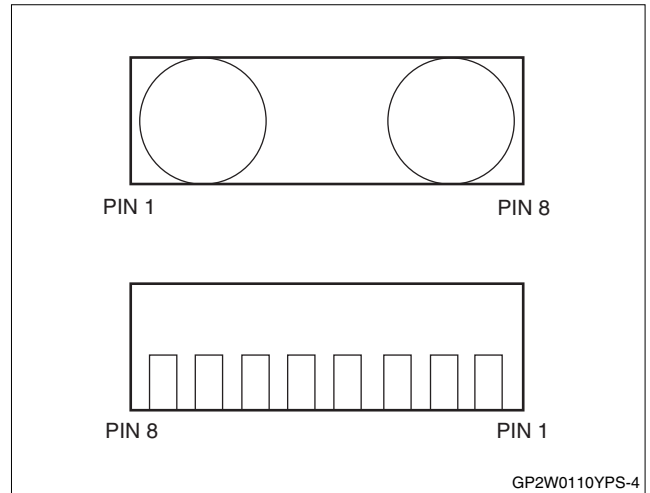


Figure 5. GP2W0110YPS/GP2W0114YPS Pin Location

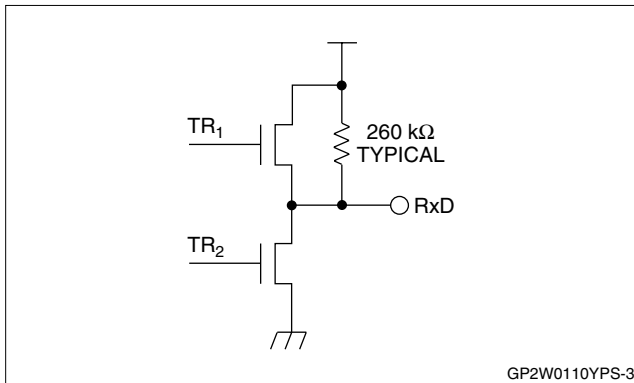


Figure 4. Receiver Logic Circuit

ELECTRICAL DESIGN APPLICATION TIPS

The only external component needed for the GP2W0110YPS/GP2W0114YPS is a capacitor for filtering any power supply noise.

Application Circuit and External Passive Components

The value of the external component CX in these examples is a nominal 10 $\mu\text{F}/6.3\text{ V}$. However, it should be adjusted as necessary for power supply noise and frequency.

V_{LEDA} may be connected to V_{DD} or driven separately from a different voltage source that is within the allowed range. The recommended operating voltage range for V_{DD} is 2.0 V to 3.6 V, and the operating range for V_{LEDA} is 2.0 V to 6.0 V.

An example of Split Voltage Source design is shown in Figure 7. V_{DD} provides power only to the receiver electronics. This regulated source can be at a lower potential than V_{LEDA} (the voltage source for the LED).

The V_{LEDA} voltage may be directly driven from the battery as shown in Figure 7. The V_{DD} associated with the Receiver interface electronics may be supported by a power regulator or other device providing an efficient regulated lower voltage source. This voltage may be as low as 2.0 V to 3.6 V, and the V_{LEDA} potential may range from 2.0 Volts to 6.0 Volts.

An alternative is to connect the V_{LEDA} and V_{DD} pins together as shown in Figure 8. This arrangement allows the GP2W0110YPS/GP2W0114YPS to be used in existing applications where both of these voltage sources are connected. It is footprint and interface compatible with previous SHARP GP2W0102YP/GP2W0104YP/GP2W0106YP products.

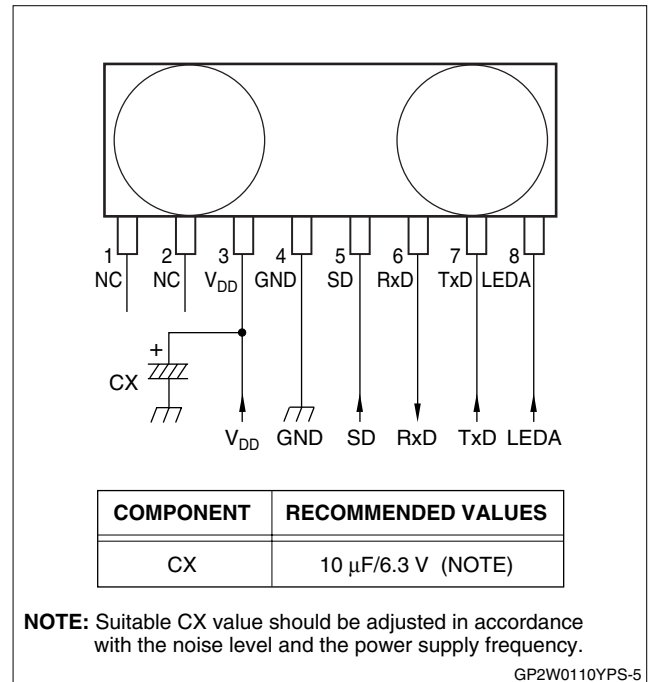


Figure 6. GP2W0110YPS/GP2W0114YPS Pin Connections

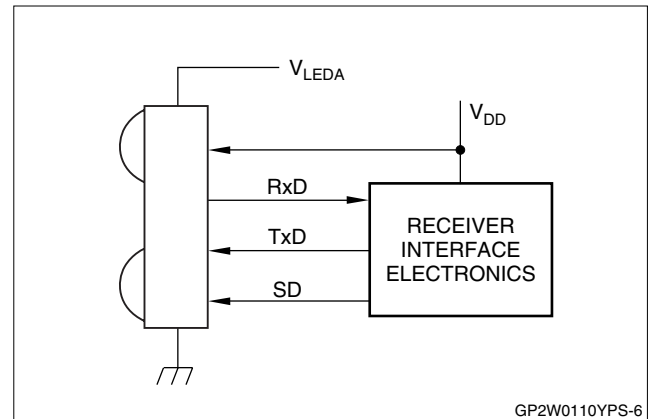


Figure 7. Split Voltage Source Example

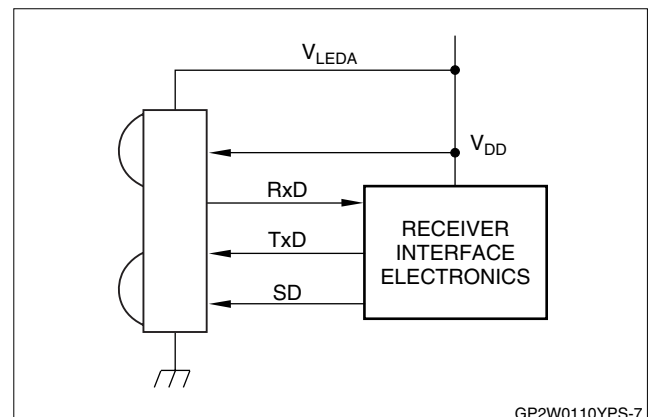


Figure 8. Combining Voltage Sources

Shutdown Mode

The Shutdown pin is an active HIGH terminal, and performs the Power Save function according to Table 3 and Figure 9.

Signal Waveform Example

Figure 10 and Figure 11 show the waveform at each point in the GP2W0110YPS/GP2W0114YPS block diagram as the device is being operated to IrDA standards. The waveform example is only applicable as a design and evaluation reference to understand the GP2W0110YPS/GP2W0114YPS hardware implementation and system measurements.

Table 3. Effect of Shutdown Pin

INPUT	MODE
HIGH	Shutdown
LOW	Normal Operation
OPEN	Normal Operation

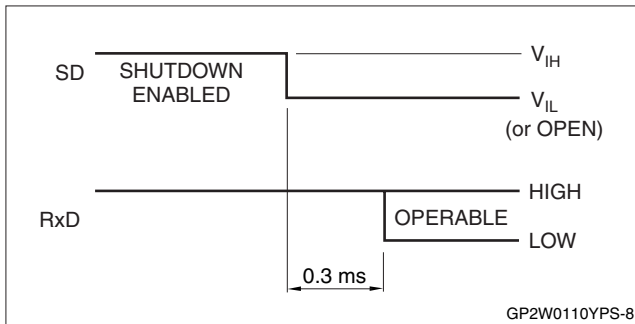


Figure 9. Shutdown Circuit Operation

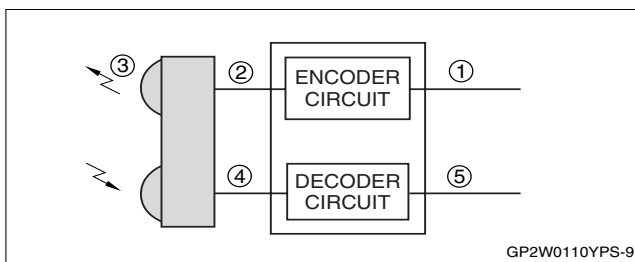


Figure 10. GP2W0110YPS/GP2W0114YPS Block Diagram

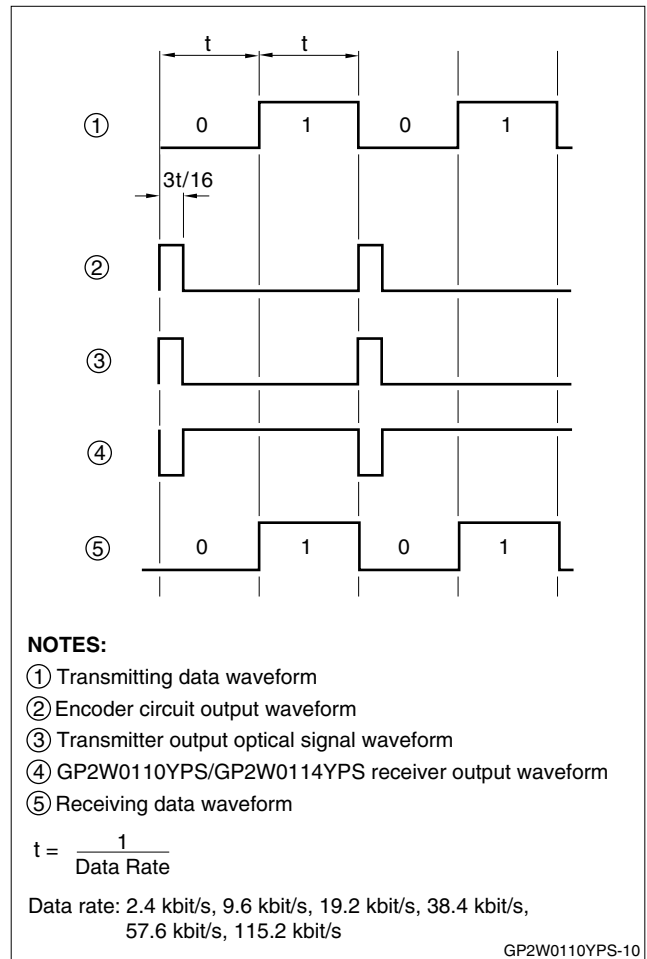


Figure 11. GP2W0110YPS/GP2W0114YPS Signal and IrDA Waveforms

SOLDERING REFLOW PROFILE

Figure 12 shows a straight-line representation of the recommended temperature profile for the IR solder reflow process. The temperature profile is divided into four process sections with three temperature/time change rates. The temperature/time details are described in Table 4.

In process 1, the PCB and SMD GP2W0110YPS/GP2W0114YPS molded pin joints are heated to a temperature of 165°C to activate the flux in the solder paste. The temperature ramp up rate R_1 should be within the range of 1°C to 4°C per second. Package temperature must be kept within the temperature range specified in order to avoid localized temperature rise in the resin by the infrared lamp.

In process 2, sufficient time to dry the solder paste should be provided, a maximum of 120 seconds is recommended for optimum results. The temperature should be kept stable with little temperature increase, preferably staying at the level of 165°C.

Process 3 is solder reflow. In this process, the temperature should be raised to 230°C for 5 seconds, at the rate of 1°C to 4°C per second (Rate R2) for desired result. The dwell time above 200°C must not exceed 60 seconds. Beyond 60 seconds, weak and unreliable connections will result. The temperature should be then reduced at the rate of -1°C to -4°C per second (Rate R3). Please note that deformation of the PCB can also affect the lead pins of the package, which may break the gold wire used in the transceiver module. Full verification of the soldering reflow machine is highly recommended for optimum results.

Table 4. Solder Reflow Parameters

SECTION	TEMPERATURE	SYMBOL	TEMPERATURE/TIME (MAX.)
Heat Up	to 165°C	R1	1°C to 4°C/sec
Solder Paste Dry	165°C		
Solder Reflow	165°C to 230°C	R2	1°C to 4°C/sec
Cooling	200°C ~	R3	-1°C to -4°C/sec.

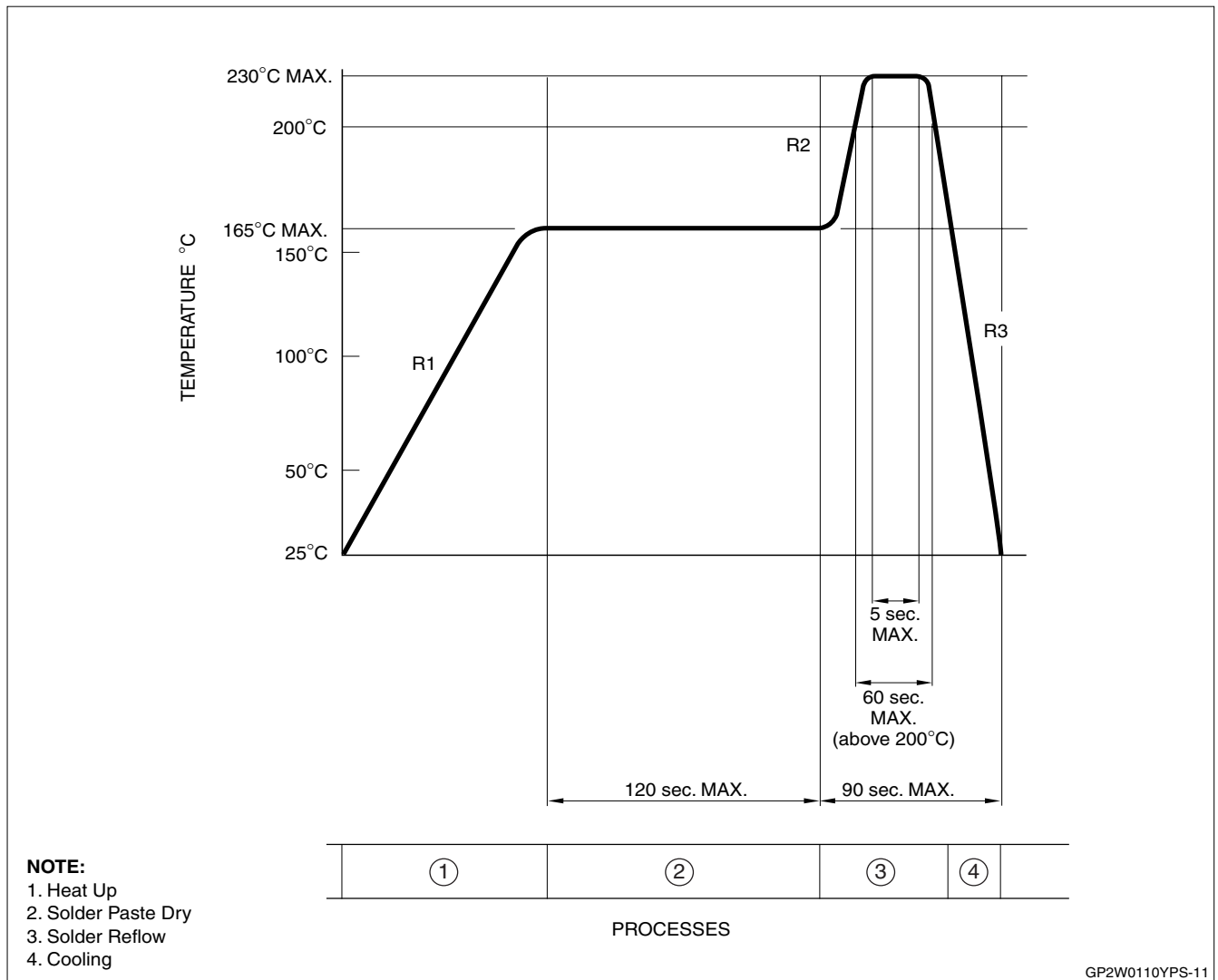


Figure 12. Solder Reflow Process Temperatures

MECHANICAL DESIGN TIPS

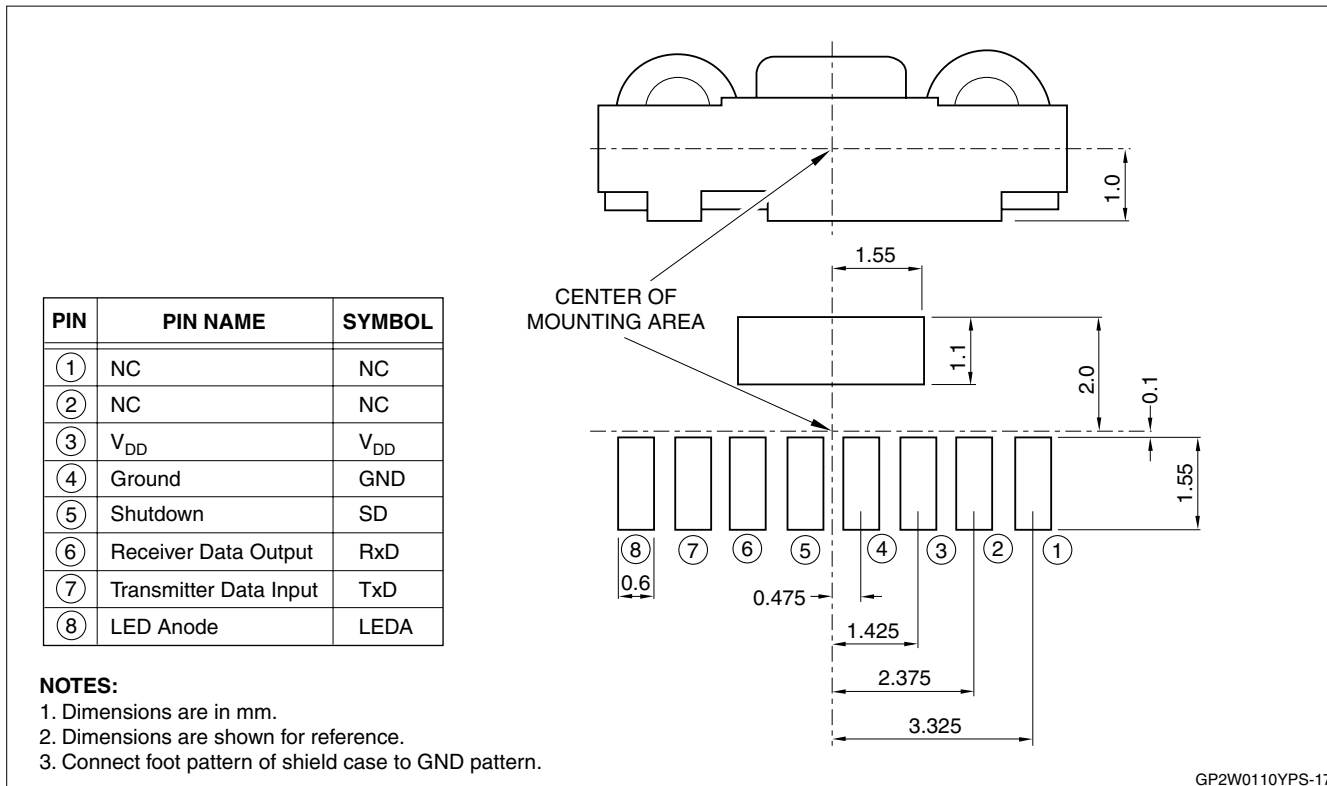


Figure 13. Recommended Footprint

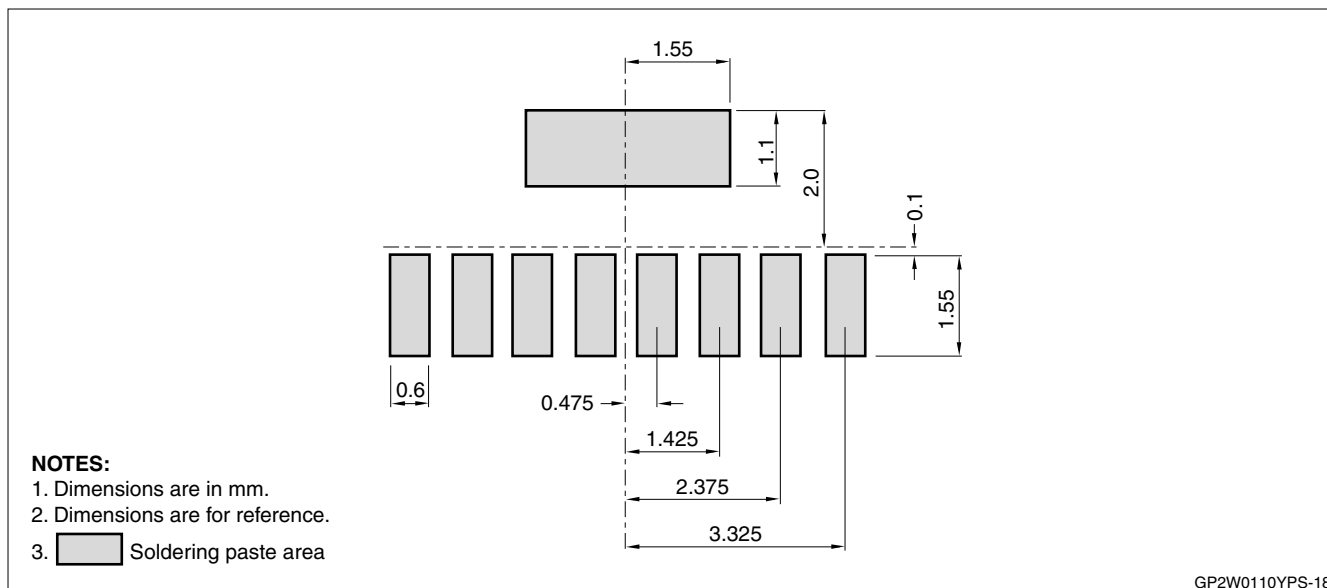


Figure 14. Recommended Solder Paste Screen Dimensions

Designing an IR Cosmetic Window

Figure 15 and its calculations show an example and design tip for a cabinet and IR cosmetic window with $\pm 18^\circ$ viewing angles, in both vertical and horizontal axes. All values for the transceiver dimensions are only for design reference, and are given in mm. The IrDA specifications require a $\pm 15^\circ$ viewing angle at the transceiver. The $\pm 18^\circ$ angle shown provides a little extra clearance to allow for slight manufacturing variations, so that the required angle is always met.

The optical window size should be the minimum size of $W \times H$ rectangular or elliptical in order to maintain IrDA data transfer performance. The dimensions for width can be calculated by the formula of:

$$W = 2 \times L \times \tan 18^\circ + w$$

And the dimensions for height can be calculated by the formula of:

$$H = 2 \times L \times \tan 18^\circ + h$$

In the case of having a view angle of $\pm 18^\circ$, which conforms to or exceeds the IrDA Serial Infrared Physical Layer Link Specifications. Any values to be calculated with above formula are given in mm.

The dimension 7.9 mm as used in Figure 15 and its calculations, is the physical length of the transceiver. This distance also includes the side angles of the optical lenses to simplify the overall calculation. The height of the transceiver is 2.15 mm with the shield; however, the actual transceiver face in the optical resin is 2.0 mm. These dimensions are listed in the mechanical drawings.

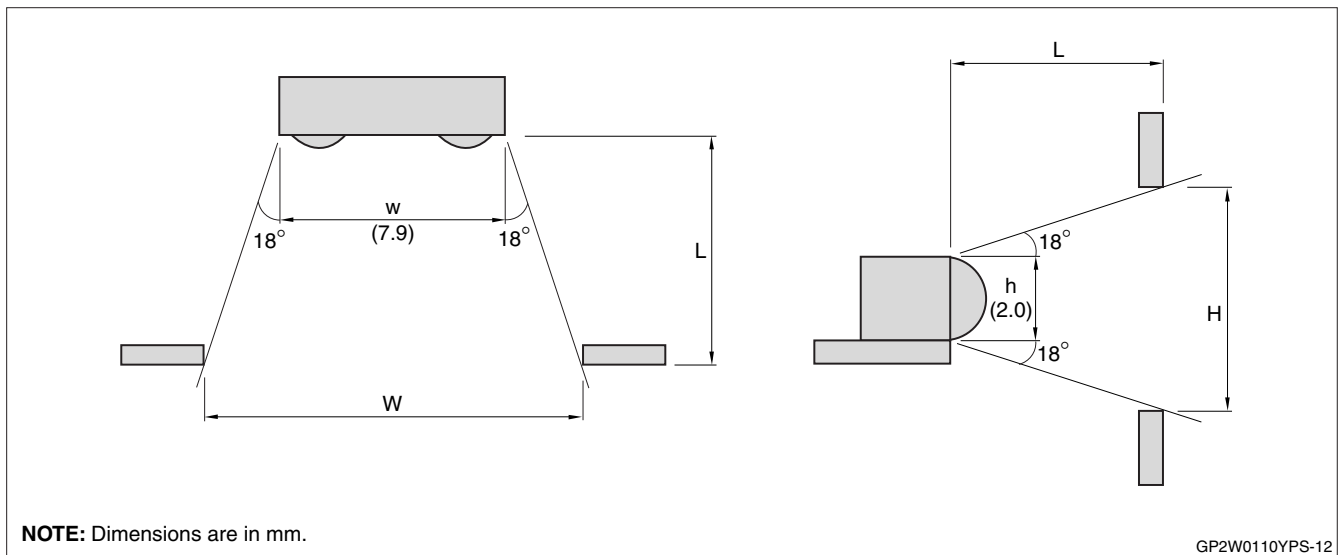


Figure 15. Optical Window Aperture

Product Packaging

Many products that use infrared communication locate their reception component behind dark plastic. This often fits in with the overall design and coloring of the product, and has an intentional design purpose as well.

The photodiode that is used in optical receivers is sensitive to a variety of light wavelengths, not only the wavelength intended for reception. Visible light has many component factors and sources in a room. The dark plastic used in product faceplates can be formulated to act as a highpass filter, reducing the amount of visible light and other wavelengths landing on the photodiode and raising the internal noise currents.

The reduction of unwanted wavelengths provides for a quieter and more sensitive receiver. The wavelength used for IrDA Data communications is 880 nm. The characteristic of any plastic used in a final product should keep this in mind and not attenuate this wavelength.

Constructing an Optical Highpass Filter

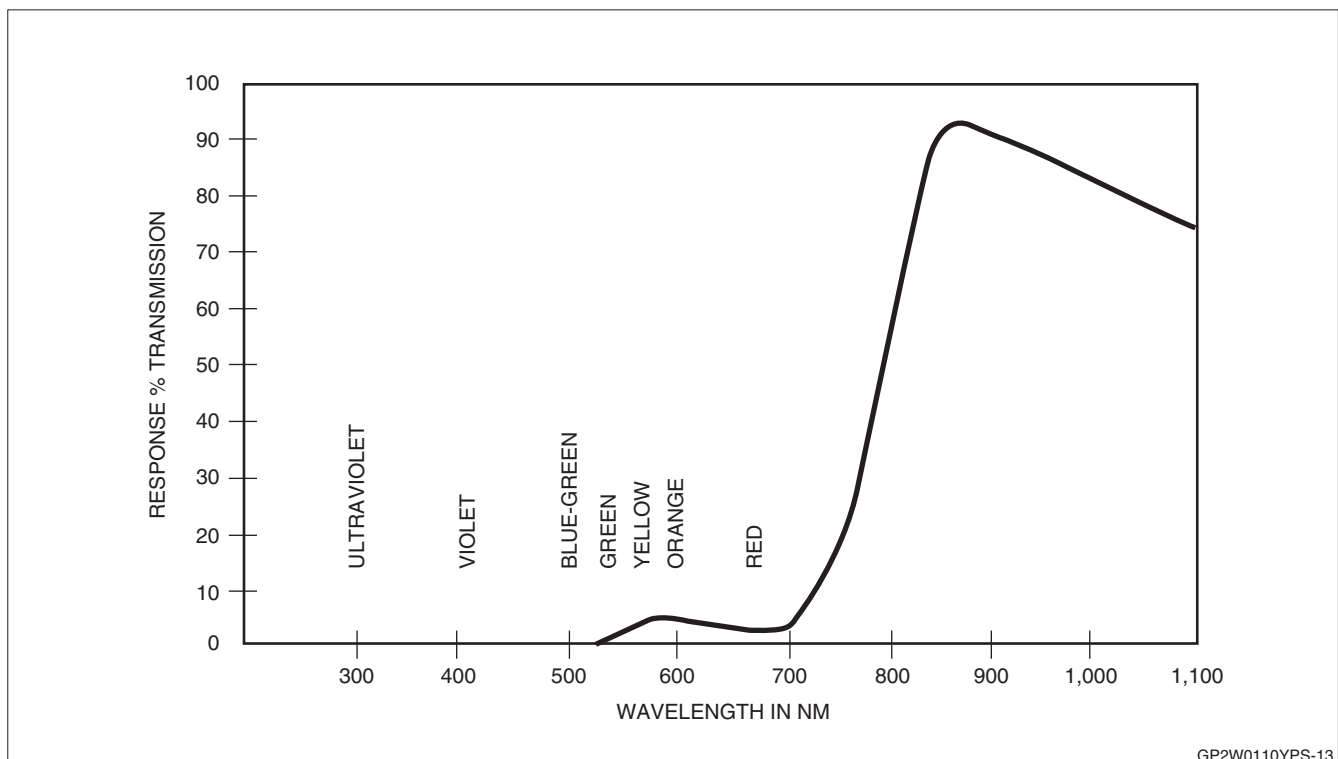
A simple material for test purposes is to obtain a roll of 100 ASA color film. Pull the film all of the way out of the can and expose it to outdoor light for about 5 seconds. Have the film developed, but first inform the person operating the developer what you are doing so that your intent is understood, and the material is processed correctly. Otherwise you may be informed that the roll

has been overexposed and the material was therefore discarded as unusable. The resulting developed negative stock should be dark and difficult to see through. Using one or more layers will provide a variable attenuation filter that you can tailor for experimental purposes.

Other light sources may produce different results. The graph in Figure 16 was produced by exposing the film to a 'cool white' fluorescent lamp for five seconds. The filter transmission data is excerpted from an article in *Electronic Design*, December 2, 1996, written by David A. Johnson. The response of the material is fairly steep near 830 nm, and has reasonable pass characteristics above 880 nm.

Figure 16 shows the basic characteristic of the highpass filter. The exact position of the slope and increasing response will depend on the material selected and the light used to expose it. The intent is to suppress visible light, and neighboring wavelengths, and pass the desired 880 nm.

Other glass and plastic filters are available, and many vendors carry plastic materials that may be cut, bent or molded. The key to selecting a plastics vendor is to ask them about the wavelength characteristics of their materials. The more they know, the more likely they will be to help you in a knowledgeable manner when working on both the industrial design and wavelength pass characteristics of your IR window.



GP2W0110YPS-13

Figure 16. Optical Highpass Filter

Test and Evaluation Board

Sharp Microelectronics has prepared an evaluation board for preliminary testing of the GP2W0110YPS/GP2W0114YPS transceiver. This board has also been developed to support the GP2W0112YPS, and that is why there are two resistor positions on the board. In the configuration for GP2W0110YPS/GP2W0114YPS, $R_2 = 0 \Omega$, and the R_1 position is open. (The position for R_1 is loaded when the board is used for another device model.)

The new low power 20 cm transceivers are so small that soldering directly to the contacts on the device is not an easy or effective connection method. Testing with an actual surface mount connection is the best method for evaluation. The PCB provides the electrical interface and a good ground-plane for test purposes. Connector J1 is the interface to the test system. The device EMI shield should be connected to a good ground in your final system.

The value of capacitor CX_1 is listed as $10 \mu\text{F}$. This value should be modified to meet your system electrical

noise requirements. The decision should be based on the amount of system noise at the point where the IrDA transceiver will be powered. Both time-domain and frequency-domain noise issues should be considered. One common source of noise is switching power supplies, which need attention to both the power line and ground return paths.

As shown in Figure 17, capacitor CX_1 is the only external component needed with the transceiver. If the power supply filtering in your system design is such that no capacitor is needed, there is no absolute requirement for it and that is a decision left to the design engineer.

Note that the V_{DD} connection and V_{LEDA} connections are on separate pins. If V_{DD} and V_{LEDA} are to be powered from the same source, pins 2 and 10 need to be externally connected.

Evaluation boards may be requested through any Sharp Microelectronics of the Americas Sales office.

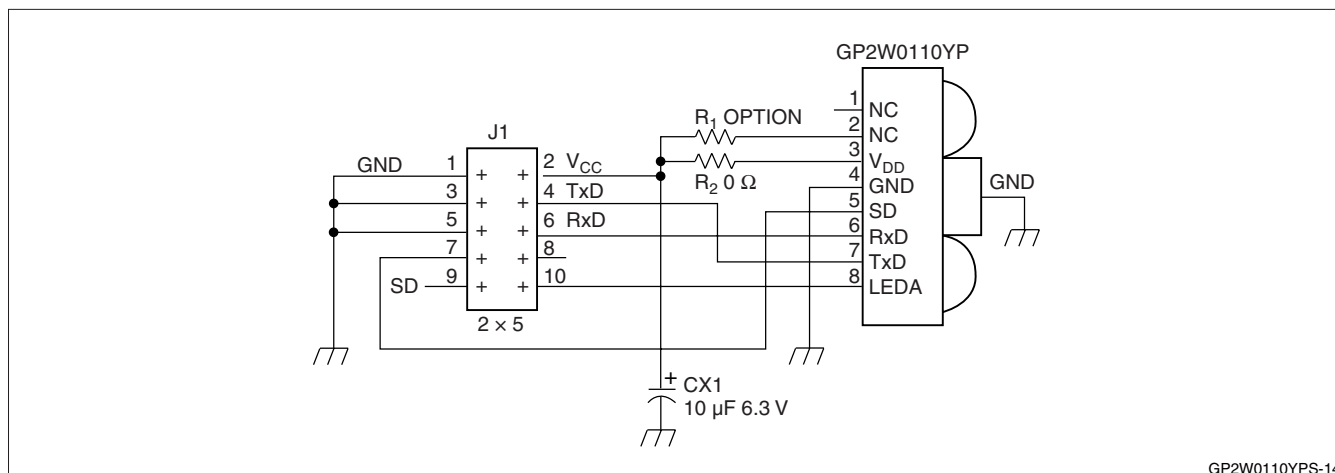


Figure 17. Evaluation Board Schematic

GP2W0110YPS-14

SPECIFICATIONS ARE SUBJECT TO CHANGE WITHOUT NOTICE.

Suggested applications (if any) are for standard use; See Important Restrictions for limitations on special applications. See Limited Warranty for SHARP's product warranty. The Limited Warranty is in lieu, and exclusive of, all other warranties, express or implied. ALL EXPRESS AND IMPLIED WARRANTIES, INCLUDING THE WARRANTIES OF MERCHANTABILITY, FITNESS FOR USE AND FITNESS FOR A PARTICULAR PURPOSE, ARE SPECIFICALLY EXCLUDED. In no event will SHARP be liable, or in any way responsible, for any incidental or consequential economic or property damage.

SHARP®

NORTH AMERICA

SHARP Microelectronics of the Americas
5700 NW Pacific Rim Blvd.
Camas, WA 98607, U.S.A.
Phone: (1) 360-834-2500
Fax: (1) 360-834-8903
Fast Info: (1) 800-833-9437
www.sharpsma.com

EUROPE

SHARP Microelectronics Europe
Division of Sharp Electronics (Europe) GmbH
Sonninstrasse 3
20097 Hamburg, Germany
Phone: (49) 40-2376-2286
Fax: (49) 40-2376-2232
www.sharpsme.com

JAPAN

SHARP Corporation
Electronic Components & Devices
22-22 Nagaike-cho, Abeno-Ku
Osaka 545-8522, Japan
Phone: (81) 6-6621-1221
Fax: (81) 6117-725300/6117-725301
www.sharp-world.com

TAIWAN

SHARP Electronic Components
(Taiwan) Corporation
8F-A, No. 16, Sec. 4, Nanking E. Rd.
Taipei, Taiwan, Republic of China
Phone: (886) 2-2577-7341
Fax: (886) 2-2577-7326/2-2577-7328

SINGAPORE

SHARP Electronics (Singapore) PTE., Ltd.
438A, Alexandra Road, #05-01/02
Alexandra Technopark,
Singapore 119967
Phone: (65) 271-3566
Fax: (65) 271-3855

KOREA

SHARP Electronic Components
(Korea) Corporation
RM 501 Geosung B/D, 541
Dohwa-dong, Mapo-ku
Seoul 121-701, Korea
Phone: (82) 2-711-5813 ~ 8
Fax: (82) 2-711-5819

CHINA

SHARP Microelectronics of China
(Shanghai) Co., Ltd.
28 Xin Jin Qiao Road King Tower 16F
Pudong Shanghai, 201206 P.R. China
Phone: (86) 21-5854-7710/21-5834-6056
Fax: (86) 21-5854-4340/21-5834-6057

Head Office:

No. 360, Bashen Road,
Xin Development Bldg. 22
Waigaoqiao Free Trade Zone Shanghai
200131 P.R. China
Email: smc@china.global.sharp.co.jp

HONG KONG

SHARP-ROXY (Hong Kong) Ltd.
3rd Business Division,
17/F, Admiralty Centre, Tower 1
18 Harcourt Road, Hong Kong
Phone: (852) 28229311
Fax: (852) 28660779
www.sharp.com.hk

Shenzhen Representative Office:

Room 13B1, Tower C,
Electronics Science & Technology Building
Shen Nan Zhong Road
Shenzhen, P.R. China
Phone: (86) 755-3273731
Fax: (86) 755-3273735