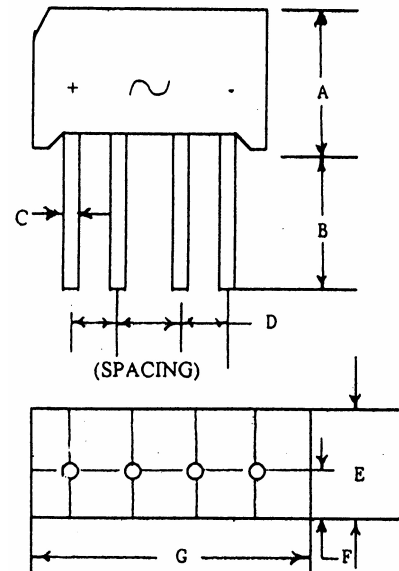


Silicon Bridge Rectifier

| DIM. | INCHES | | MILLIMETERS | |
|------|--------|-------|-------------|------|
| | MIN. | MAX. | MIN. | MAX. |
| A | 0.551 | 0.590 | 14.0 | 15.0 |
| B | 0.50 | | 12.7 | |
| C | 0.028 | 0.035 | 0.71 | 0.89 |
| D | 0.14 | 0.16 | 3.60 | 4.10 |
| E | 0.236 | 0.276 | 6.0 | 7.0 |
| F | 0.085 | 0.105 | 2.16 | 2.67 |
| G | 0.63 | 0.71 | 16.0 | 18.0 |

**ELECTRICAL RATINGS**

FOR SINGLE PHASE BRIDGE CIRCUIT

MAXIMUM ALLOWABLE DC OUTPUT CURRENT:

AT 55° C AMBIENT TEMPERATURE

3.0 AMPS

AT 100°C AMBIENT TEMPERATURE

2.0 AMPS

MAXIMUM SINGLE CYCLE SURGE
CURRENT (IFSM)

60 AMPS

MAXIMUM FULL LOAD FORWARD VOLTAGE
DROP @ 1.0 AMP (PER SECTION)

1.0 VOLTS

MAXIMUM REVERSE CURRENT @

25° C FULL CYCLE AVERAGE PER SECTION

10 uA

100° C FULL CYCLE AVERAGE PER SECTION

.5 mA

| <u>PART NUMBER</u> | <u>PIV</u> |
|--------------------|------------|
| B393-5-1 | 50 |
| B393-10-1 | 100 |
| B393-20-1 | 200 |
| B393-40-1 | 400 |
| B393-60-1 | 600 |
| B393-80-1 | 800 |
| B393-100-1 | 1000 |
| B393-120-1 | 1200 |

(203) 467-2591 TEL

(203) 469-5928 FAX

Email: Info@ edal.com

Internet: <http://www.edal.com>**EDAL industries, inc.**

51 Commerce St. East Haven, CT 06512