

DESCRIPTION

The GLF2310, GLF2311, and GLF2321 are an advanced technology fully integrated power switch for applications required for precision output current limiting. The GLF2310, GLF2311, and GLF2321 feature also various protection functions such as under voltage lockout, true reverse current blocking (TRCB), short circuit protection, and thermal shutdown.

The GLF2310, GLF2311, and GLF2321 provide a built-in output voltage slew rate control to limit the inrush current and voltage surges. The FLGB output pin can be used to send a signal of fault events to the system controller. The integrated thermal shutdown (TSD) insures complete protection for the switch during output current limit and short circuit conditions. The GLF2310, GLF2311, and GLF2321 are an ideal switch for USB power supply.

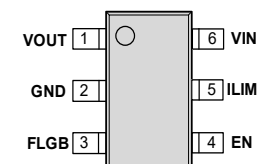
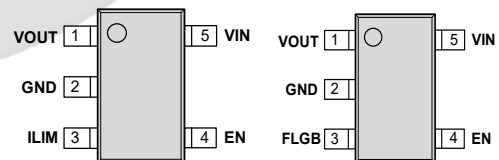
FEATURES

- Input Range: 2.5 V to 5.5 V
- Programmable Output Constant Current Limit: GLF2310A, GLF2311A
 - Range: 40 mA ~ 2.1 A
- Fixed Output Constant Current Limit:
 - GLF2311B: 2.1 A
 - GLF2321B: 1.8 A
- Low R_{ON}: 56 mΩ Typ. @ 5.0 V_{IN}
- Ultra-Low I_Q: 20 uA Typ. @ 5.0 V_{IN}
- Ultra-Low I_{SD}: 50 nA Typ. @ 5.0 V_{IN}
- Under Voltage Lockout Protection
- Output Voltage Slew Rate Controlled
- True Reverse Current Blocking Protection
- Short Circuit Protection
- Deglitched Fault Flag Indication
- Integrated Output Discharge Switch
 - GLF2311x, GLF2321x
- Thermal Shutdown Protection
- IEC 62368-1:2018 CB Certification No. FI-52066

APPLICATIONS

- USB ports
- Notebooks
- Set-Top Boxes
- Telecom Systems

PACKAGE



SOT23-5L, SOT23-6L

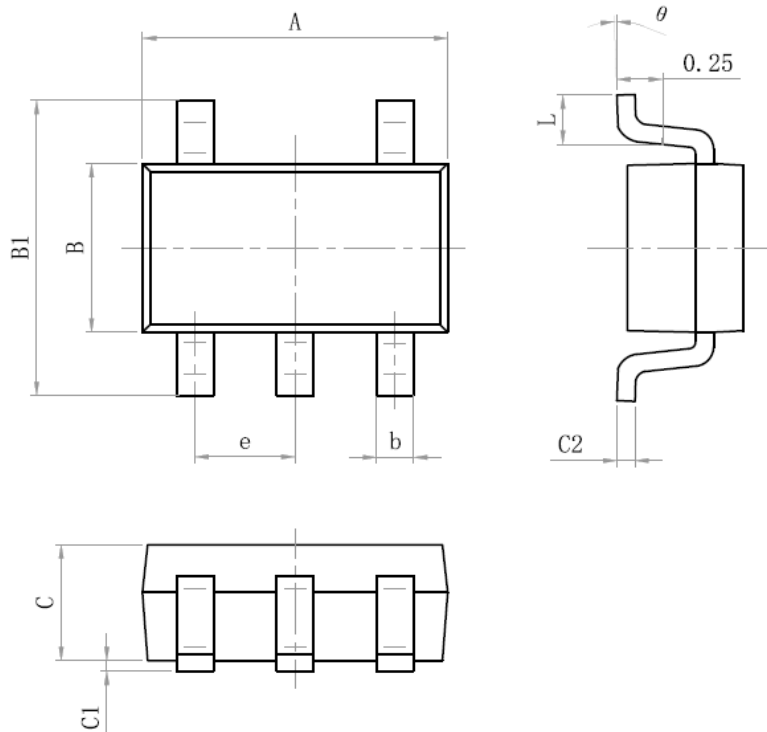
DEVICE ORDERING INFORMATION

Part Number	Top Mark	Output Current Limit I_{LM}	Output Discharge	Fault Flag FLGB	EN Activity	Package
GLF2310A-T1G7	FA	Programmable Up to 2.1 A	NA	NA	High	SOT23-5L
GLF2311A-T1G7	FB		85 Ω	NA		SOT23-5L
GLF2310A-T2G7	HA		NA	Yes		SOT23-6L
GLF2311A-T2G7	HB		85 Ω	Yes		SOT23-6L
GLF2311B-T1G7	GB	Fixed 2.1 A	85 Ω	Yes		SOT23-5L
GLF2321B-T1G7	KB	Fixed 1.8 A	85 Ω	Yes		SOT23-5L

PACKAGE OUTLINE

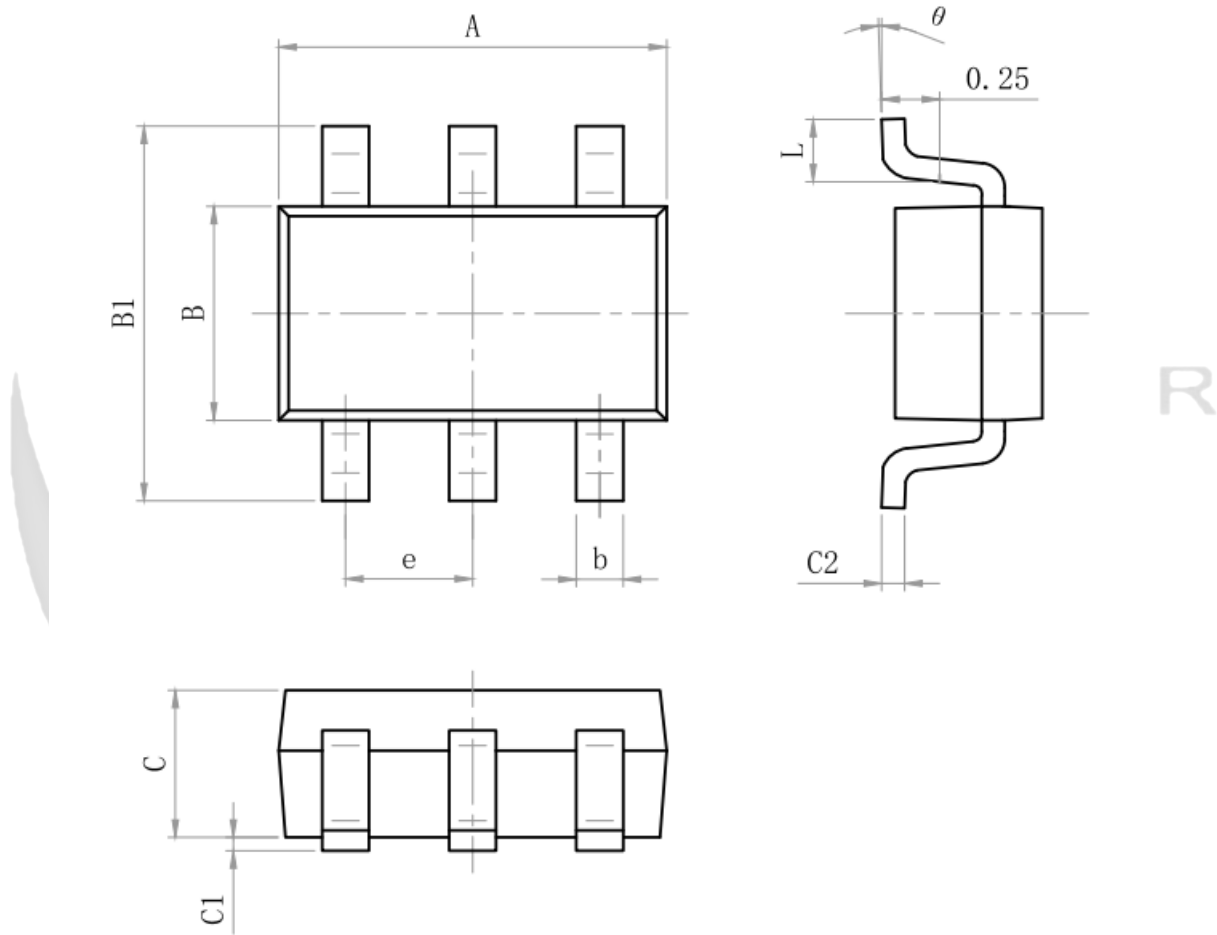
SOT23-5L

Size Mark	Min (mm)	Max (mm)	Size Mark	Min (mm)	Max (mm)
A	2.82	3.02	C	1.05	1.15
e	0.95 (BSC)		C1	0.03	0.15
b	0.28	0.45	C2	0.12	0.23
B	1.50	1.70	L	0.35	0.55
B1	2.60	3.00	θ	0°	8°



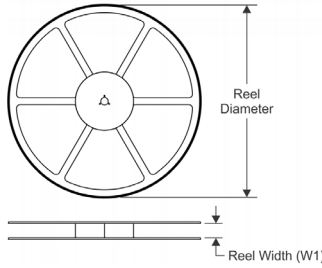
SOT23-6L

Size Mark	Min (mm)	Max (mm)	Size Mark	Min (mm)	Max (mm)
A	2.82	3.02	C	1.05	1.15
e	0.95 (BSC)		C1	0.03	0.15
b	0.28	0.45	C2	0.12	0.23
B	1.50	1.70	L	0.35	0.55
B1	2.60	3.00	θ	0°	8°

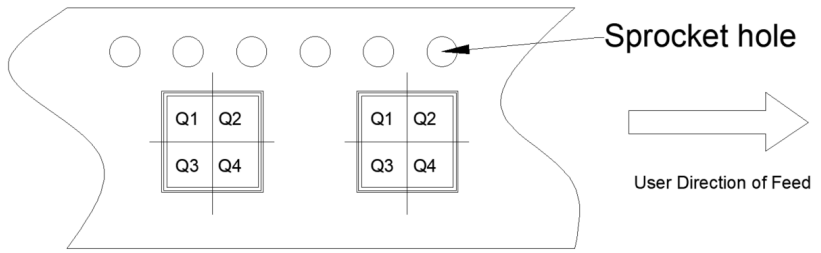


TAPE AND REEL INFORMATION

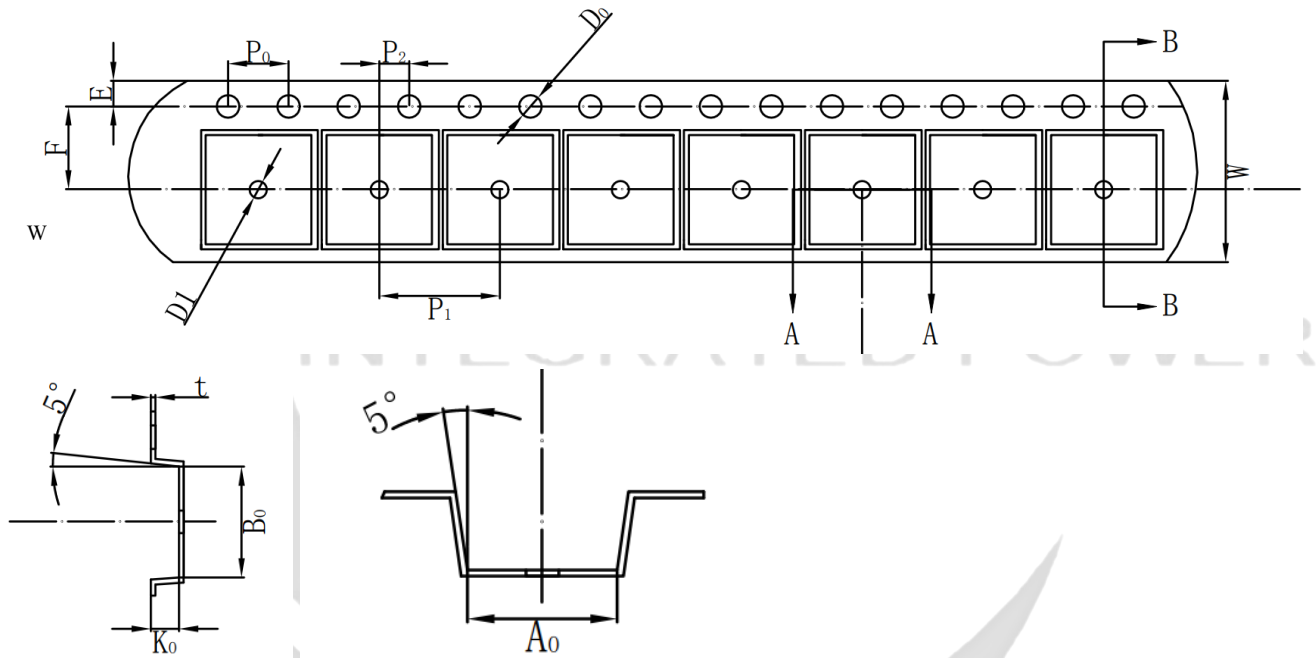
REEL DIMENSIONS



QUADRANT ASSIGNMENTS PIN 1 ORIENTATION TAPE



TAPE DIMENSIONS



Device	Package	Pin s	SPQ	Reel Diameter (mm)	Reel Width W1	A0	B0	K0	P 1	W	Pin1
GLF2310A-T1G7	SOT23-5	5	3000	178	9	3.25	3.30	1.38	4	8	Q3
GLF2311A-T1G7	SOT23-5	5	3000	178	9	3.25	3.30	1.38	4	8	Q3
GLF2310A-T2G7	SOT23-6	6	3000	178	9	3.25	3.30	1.38	4	8	Q3
GLF2311A-T2G7	SOT23-6	6	3000	178	9	3.25	3.30	1.38	4	8	Q3
GLF2311B-T1G7	SOT23-5	5	3000	178	9	3.25	3.30	1.38	4	8	Q3
GLF2321B-T1G7	SOT23-5	5	3000	178	9	3.25	3.30	1.38	4	8	Q3

Remark:

- A0: Dimension designed to accommodate the component width
- B0: Dimension designed to accommodate the component length
- C0: Dimension designed to accommodate the component thickness
- W: Overall width of the carrier tape
- P1: Pitch between successive cavity centers