

### Low Voltage 16-Bit I<sup>2</sup>C-bus I/O Expander

#### Features

- I<sup>2</sup>C to 16-bit I/O ports expander
- 1MHz Fast-mode Plus I<sup>2</sup>C bus
- Operating voltage range of 1.65V to 5.5V for both I<sup>2</sup>C bus and I/O ports
- Four adjustable I<sup>2</sup>C slave addresses via ADDR
- I<sup>2</sup>C multiple-register group programming with global loop or local loop
- Active low reset input ( $\overline{\text{RESET}}$ )
- Active low open-drain interrupt output ( $\overline{\text{INT}}$ )
- Internal power-on reset and I<sup>2</sup>C software reset
- Noise filter on SCL/SDA inputs
- Input/Output port configurable
- Input with polarity/latch/pull-up/pull-down/interrupt functions
- Allowing port input voltage above supply
- Interrupt with trigger/mask/clear/status features
- Programmable input debounce enable/time
- Output with bank/pin selectable push-pull or open-drain
- Bit-wise programmable output drive strength
- Low standby current of 4 $\mu$ A typical at 3.3V
- Maximum 25mA driving capability for each port

#### Applications

- Smartphone, Tablet and Wearables
- Laptop and Desktop

#### Brief Description

KTS1621 is a 16-bit general-purpose I/O expander via the I<sup>2</sup>C bus for microcontrollers when additional I/Os are needed while keeping interconnections to the minimum.

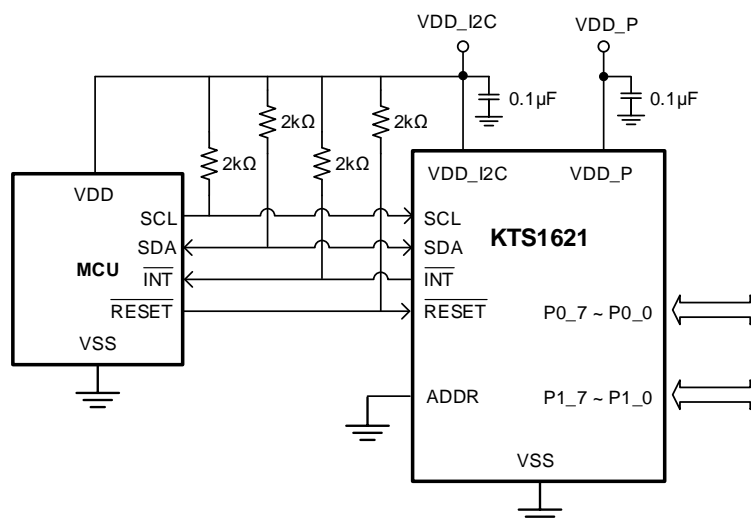
KTS1621 has separate power rails (VDD\_I2C and VDD\_P) for I<sup>2</sup>C bus and I/O ports, both ranging from 1.65V to 5.5V, allowing mixed power system where I<sup>2</sup>C bus power is not compatible with I/O port power.

KTS1621 meets the I<sup>2</sup>C Fast-mode Plus spec up to 1MHz. External reset input, internal power-on reset and I<sup>2</sup>C software reset provide flexible ways to reset the IC. Four adjustable I<sup>2</sup>C slave addresses allow multiple KTS1621s in one I<sup>2</sup>C bus system.

KTS1621 provides multiple ways to program the 16-bit I/O ports. When the port works as input, it can program the polarity, latch, pull-up, pull-down and interrupt functions. The interrupt function includes the level/edge trigger, mask, clear, status features. For system with noisy input, KTS1621 also provides debounce function with programmable debounce time. When the port works as output, it can program output stage with bank/pin selectable push-pull or open-drain options, it can also program four drive strengths of the output stage to optimize the rise/fall times.

KTS1621 is available in a RoHS compliant 36-ball 2.6mm x 2.6mm FO-WLP package and 24-pin TQFN44 package.

#### Typical Application



### Ordering Information<sup>1</sup>

Part Number	Marking <sup>2</sup>	Operating Temperature	Package
<b>KTS1621EWA-TR</b>	<b>MYNGYWWJJAABB</b>	<b>-40°C to +85°C</b>	<b>FO-WLP66-36</b>
KTS1621EUAA-TR	MYYYYZYWWXXX	-40°C to +85°C	TQFN44-24

1. Items in **BOLD** available for immediate delivery. For other package options please contact sales.
2. "NGYWWJJAABB" is the manufacturing code, date code, assembly code and serial number.

Kinetic Technologies cannot assume responsibility for use of any circuitry other than circuitry entirely embodied in a Kinetic Technologies product. No intellectual property or circuit patent licenses are implied. Kinetic Technologies reserves the right to change the circuitry and specifications without notice at any time.