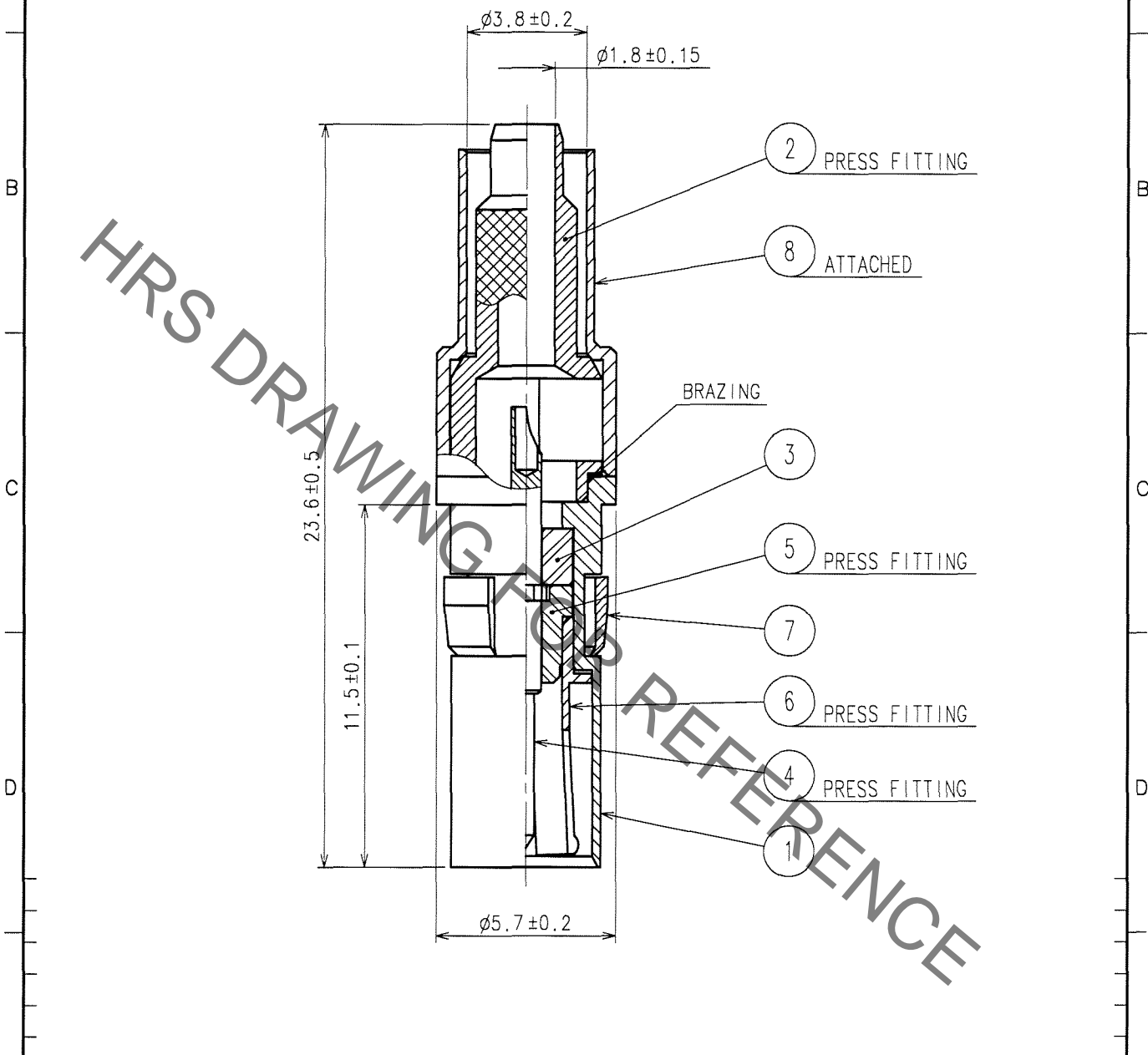


Aug.1.2022 Copyright 2022 HIROSE ELECTRIC CO., LTD. All Rights Reserved.
In case of consideration for using Automotive equipment / device which demand high reliability, kindly contact our sales window correspondents.

1		2			3			4		
COUNT	DESCRIPTION OF REVISIONS	BY	CHKD	DATE	COUNT	DESCRIPTION OF REVISIONS	BY	CHKD	DATE	
△					△					
△					△					
△					△					

APPLICABLE OUTER CONDUCTOR CRIMPING TOOL : UM.MSS-T-1(1.5HOLE)



4	PHOSPHOR BRONZE	GOLD PLATING	8	BRASS	GOLD PLATING
3	PTFE		7	BERYLLIUM COPPER	NICKEL PLATING
2	BRASS	GOLD PLATING	6	PHOSPHOR BRONZE	GOLD PLATING
1	BRASS	GOLD PLATING	5	PTFE	
NO.	MATERIAL	FINISH, REMARKS	NO.	MATERIAL	FINISH, REMARKS

CODE NO. (OLD) CL	DRAWN <i>M. Sugiyama</i> 06.03.14	DESIGNED <i>T. Katayama</i> 06.03.14	CHECKED <i>H. Shimizu</i> 06.03.15	APPROVED <i>S. Mitani</i> 06.03.17	RELEASED
----------------------	---	--	--	--	----------

	DRAWING NO. EDC4-029924-40	PART NO. PO51-P-1.5-1A(40)
	 HIROSE ELECTRIC CO., LTD.	CODE NO. CL330-0004-8-40

TO
RF