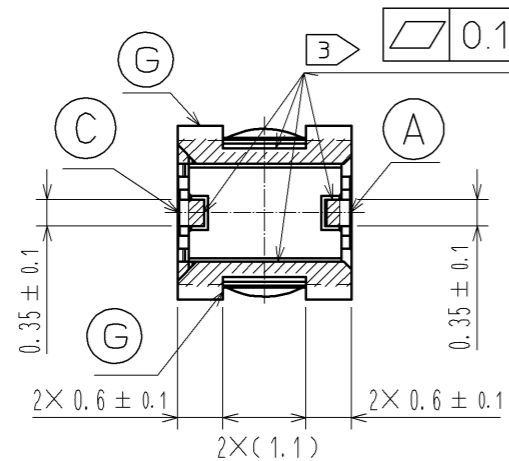
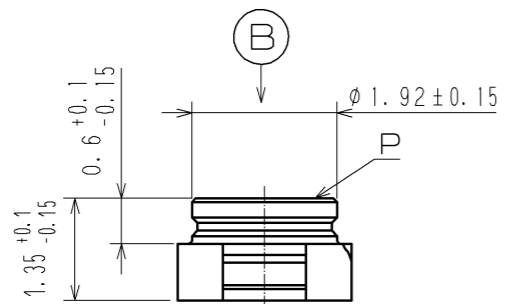
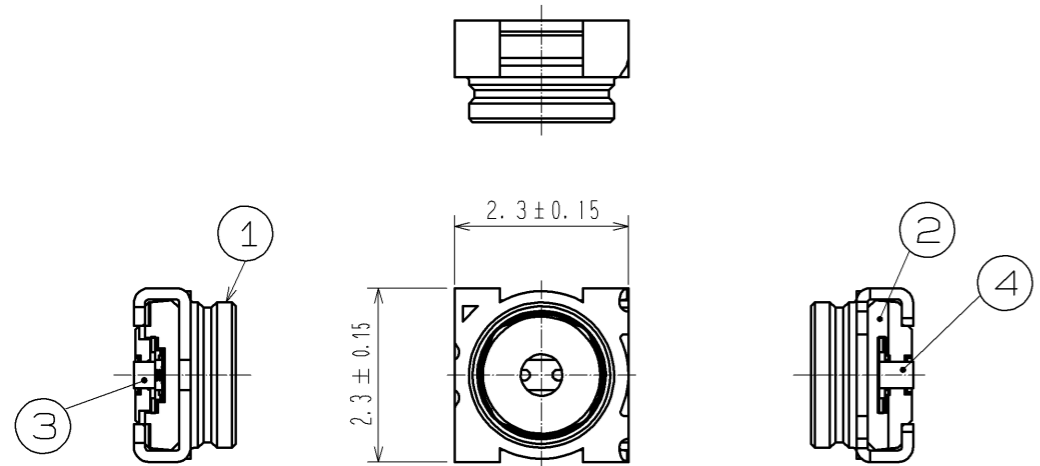
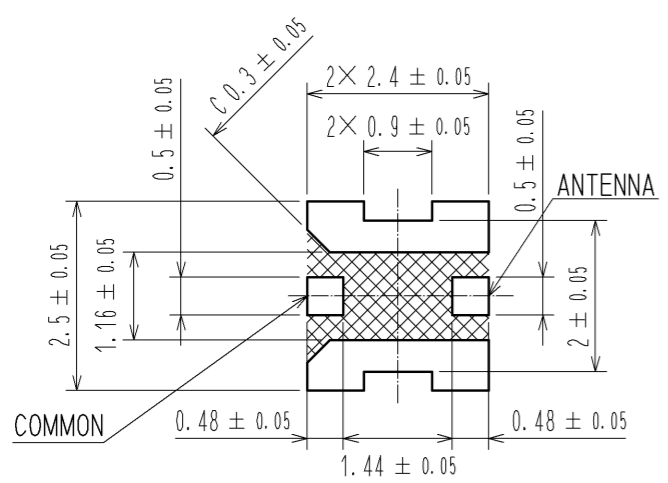


Aug.1.2022 Copyright 2022 HIROSE ELECTRIC CO., LTD. All Rights Reserved.
 In case of consideration for using Automotive equipment / device which demand high reliability, kindly contact our sales window correspondents.

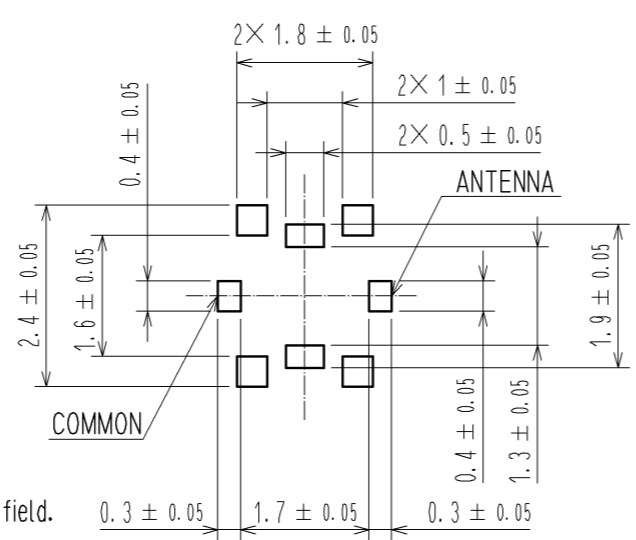


5 SPECIFIED PCB LAYOUT

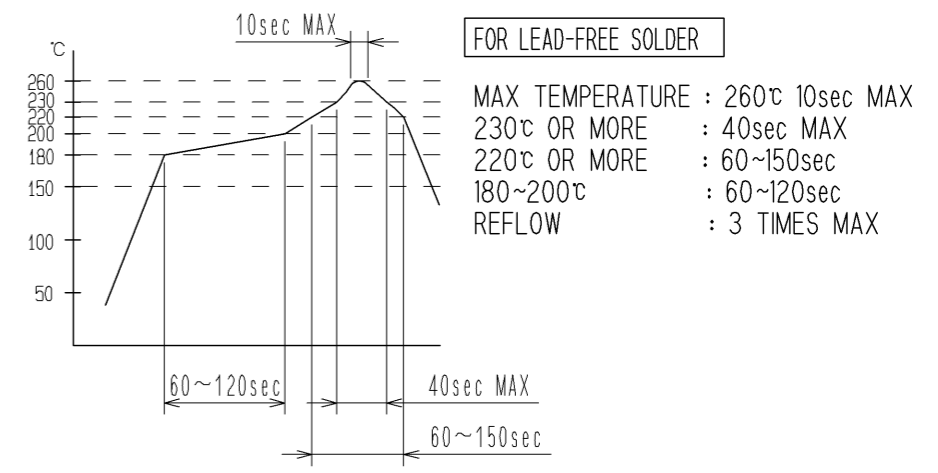
5 SPECIFIED STENCIL PLATE THICKNESS: 0.1mm



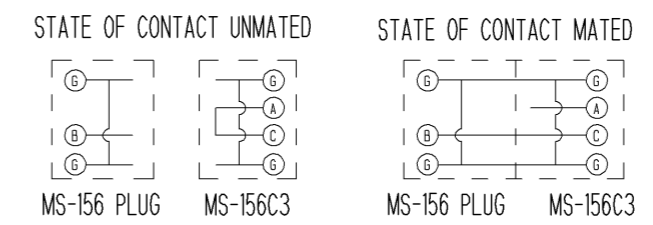
: This area must be free of conductive traces and resist field.



RECOMMENDED REFLOW TEMPERATURE PROFILE



NOTE 1. Circuit shall be as follows.



2. For use of this product, be sure to put contact area of plug on position P perpendicularly.
3. Lead co-planarity is to be 0.1mm MAX.
4. Do not use the washing process.
5. Please do not change the specified layout of the PCB dimension and the layout of the stencil plate dimension and thickness otherwise could not be responsible for the solderability of the product.
6. This product is intended to be used for circuit inspection only. Consult us if any other application is considered.
7. Do not use hand soldering for mounting of MS-156C3.

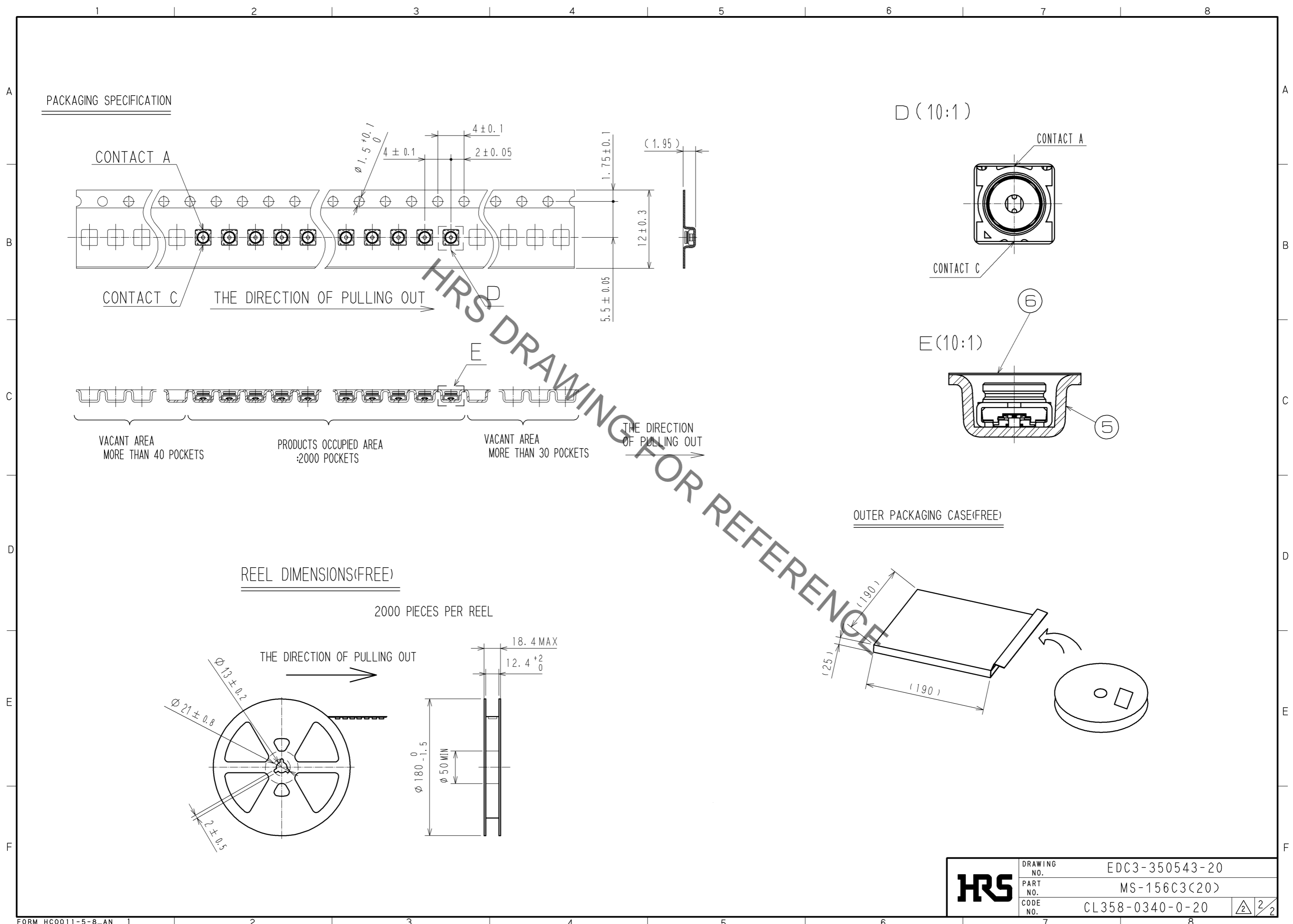
RoHS COMPLIANT

HALOGEN FREE COMPLIANT

3	CU-NI-SI-ALLOY	SELECTIVE GOLD PLATING	6	PET			
2	PA-M		5	PS			
1	PHOSPHOR BRONZE	GOLD PLATING	4	PHOSPHOR BRONZE	SELECTIVE GOLD PLATING		
NO.	MATERIAL	FINISH . REMARKS	NO.	MATERIAL	FINISH . REMARKS		
UNITS		SCALE	COUNT	DESCRIPTION OF REVISIONS	DESIGNED	CHECKED	DATE
mm		10 : 1	1	DIS-D-003384	DS. YAMAKOSHI	NK. NINOMIYA	14. 09. 02
APPROVED : MH. YAMANE			14. 03. 27	DRAWING NO. EDC3-350543-20			
CHECED : NK. NINOMIYA			14. 03. 27	PART NO. MS-156C3(20)			
DESIGNED : TS. NAKAGAWA			14. 03. 26	CODE NO. CL358-0340-0-20			
DRAWN : TS. NAKAGAWA			14. 03. 26	1/2			

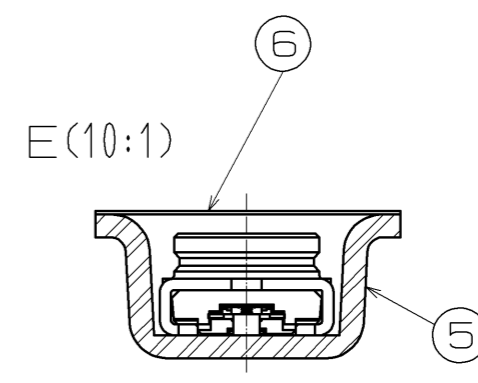
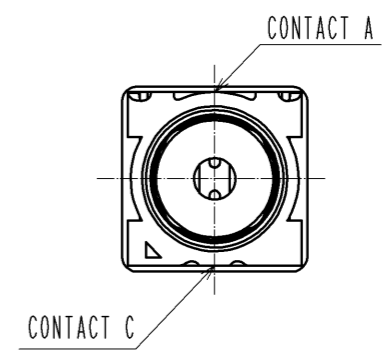
HRS DRAWING FOR REFERENCE

Aug.1.2022 Copyright 2022 HIROSE ELECTRIC CO., LTD. All Rights Reserved.
 In case of consideration for using Automotive equipment / device which demand high reliability, kindly contact our sales window correspondents.

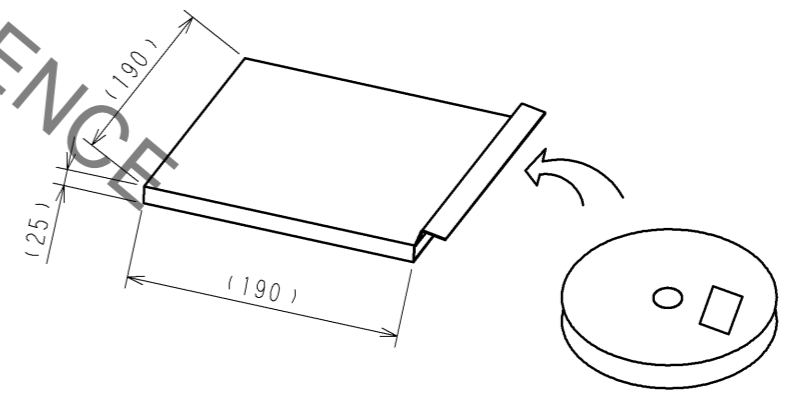


PACKAGING SPECIFICATION

D (10:1)

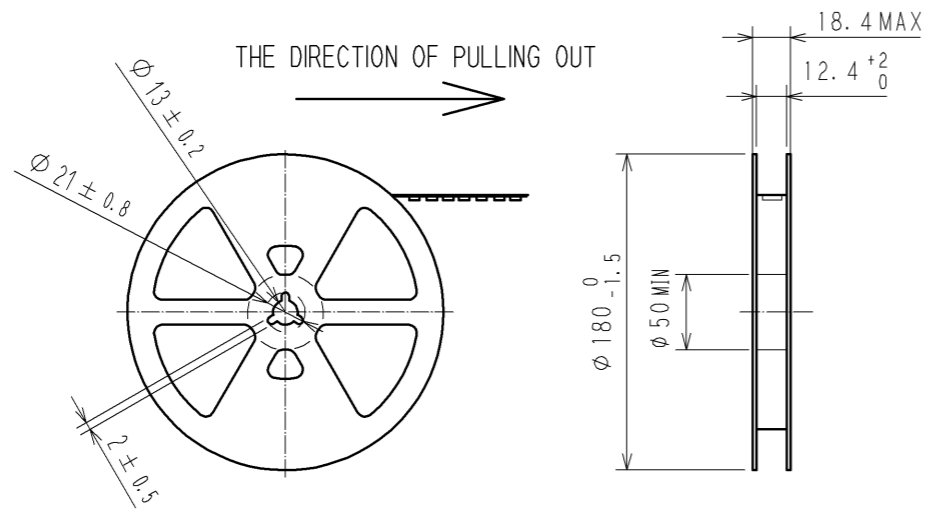


OUTER PACKAGING CASE(FREE)



REEL DIMENSIONS(FREE)

2000 PIECES PER REEL



HRS	DRAWING NO.	EDC3-350543-20	2/2
	PART NO.	MS-156C3(20)	
	CODE NO.	CL358-0340-0-20	

HRS DRAWING FOR REFERENCE