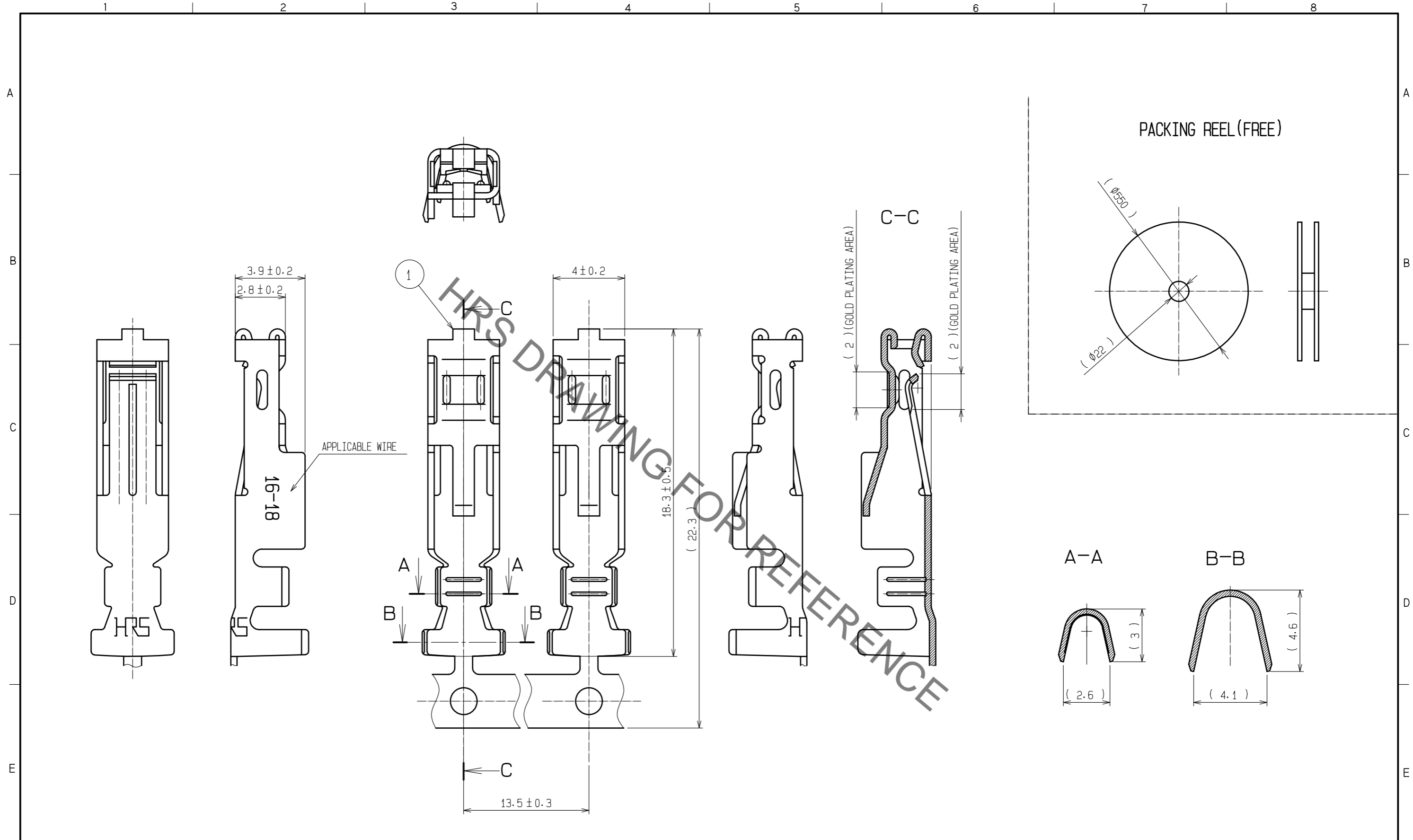


Aug.1.2022 Copyright 2022 HIROSE ELECTRIC CO., LTD. All Rights Reserved.
 In case of consideration for using Automotive equipment / device which demand high reliability, kindly contact our sales window correspondents.



- NOTES
1. APPLICABLE WIRE IS AWG#16~18.
 2. PER REEL :3000 CONTACTS.
 3. APPLICABLE CRIMPING MACHINE AND CRIMPING CONDITIONS (CRIMP HEIGHT etc.) WILL BE SPECIFIED ACCORDING TO AWG# OR WIRE APPLIED.

NO.		MATERIAL		FINISH . REMARKS		NO.		MATERIAL		FINISH . REMARKS	
UNITS mm				SCALE 5 : 1		COUNT △		DESIGNED		CHECKED	
		HIROSE ELECTRIC CO., LTD.		APPROVED : MN. KENJO		20200407		DRAWING NO.		EDC-122265-70-00	
				CHECKED : TU. TANIGUCHI		20200407		PART NO.		QR/P17-SCA-211(70)	
				DESIGNED : KIM JAEHYEON		20200407		CODE NO.		CL221-0262-4-70	
				DRAWN : DS. HIROWATARI		20200407					