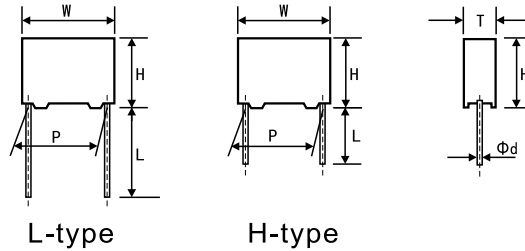
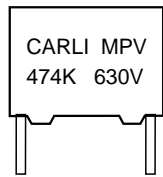


金属化聚丙烯膜电容器 (盒装型) - 电容降压用
Metallized Polypropylene Film Ac Capacitor (Box - Type) - For Capacitive Divider



特点

- 金属化聚丙烯膜，无感卷绕结构
- 长期负载下优良稳定性
- 塑胶外壳，阻燃环氧树脂封装

典型应用

适用于100~240Vac 电源串联的电容降压电路应用场合，如电表、控制器，LED 驱动等
额定电压400Vdc(160Vac)电容适用于110Vac 电源用，630Vdc (275Vac)电容适用于220Vac 电源用，请参照选用。

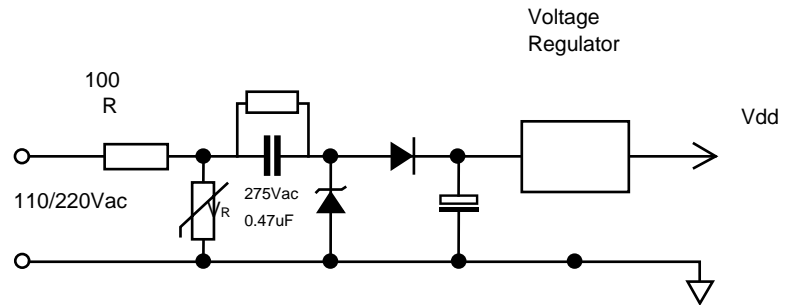
FEATURES:

- Metallized Polypropylene film , non - inductive wound constructions
- Long term stability of capacitance
- Plastic case , Flame retardant epoxy resin sealing

TYPE APPLICATION:

Suitable for applications in serial with the 100~240Vac mains, as Capacitance divider in energy meters and control boards , LED driver in white goods and home appliances.
The R.V 400Vdc(160 Vac) capacitors are suitable for Vin 110Vac circuit ,
R.V 630Vdc (275vac) capacitors are suitable for Vin 220Vac circuit .

典型应用电路
Typical circuit(0.47uF)



技术要求specifications

引用标准/Reference Standard	GB/T 10190 (IEC 60384 - 16)
气候类别/Climatic Category	40/85/21
额定温度/Rated Temperature	85
工作温度范围 /Operating Temperature Range	-40 -- +85
额定电压/Rated voltage	400VDC (160VAC),630VDC(275VAC)
容量范围/Capacitance range	0.1 μ F~2.2 μ F
容差/Capacitance tolerance	± 5% (J), ± 10% (K), ± 20%(M)
耐电压/Voltage Proof	1.6* R.V(DC), 2s (between terminals)
损失角/Dissipation factor	0.1% (1KHz at 20~25)
绝缘阻抗/Insulation Resistance	15 000M ,C _R 0.33 μ F 5 000 s,C _R > 0.33 μ F , (at 100VDC, 1min ,20~25)

FILM CAPACITORS

外形尺寸 Dimensions(mm)

400VDC(160Vac)							
CAP (μ F)	DIMENSIONS尺寸 (mm)					CARLI P/N	
	W (± 0.5 mm)	H (± 0.5 mm)	T (± 0.5 mm)	d (± 0.05 mm)	P (± 1 mm)		
0.1	13	12	6	0.6	10	PV104 * 2GC3	R
0.15	13	12.5	7	0.6	10	PV154 * 2GC4	R
0.22	18	13	6.5	0.8	15	PV224 * 2GD25	R
0.33	18	14.5	8.5	0.8	15	PV334 * 2GD4	R
0.47	18	16	10	0.8	15	PV474 * 2GD5	R
0.68	18	18.5	11	0.8	15	PV684 * 2GD6	R
0.22	26.5	17	7	0.8	22.5	PV224 * 2GE2	R
0.33	26.5	17	7	0.8	22.5	PV334 * 2GE2	R
0.47	26.5	17	8.5	0.8	22.5	PV474 * 2GE3	R
0.68	26.5	19	10	0.8	22.5	PV684 * 2GE4	R
1.0	26	20	11	0.8	22.5	PV105 * 2GE5	R
1.0	32	22	13	0.8	27.5	PV105 * 2GF2	R
1.5	32	25	15	0.8	27.5	PV155 * 2GF3	R
2.2	32	30	18	0.8	27.5	PV225 * 2GF4	R

630VDC(275Vac)							
CAP (μ F)	DIMENSIONS尺寸 (mm)					CARLI P/N	
	W (Max mm)	H (Max mm)	T (Max mm)	d (± 0.05 mm)	P (± 1 mm)		
0.1	13	16	8	0.6	10	PV104 * 2JC5	R
0.1	18	12	6	0.8	15	PV104 * 2JD2	R
0.15	18	14.5	8.5	0.8	15	PV154 * 2JD4	R
0.22	18	15.5	10	0.8	15	PV224 * 2JD51	R
0.33	18	18.5	11	0.8	15	PV334 * 2JD6	R
0.33	26.5	17	8.5	0.8	22.5	PV334 * 2JE3	R
0.47	26.5	19	10	0.8	22.5	PV474 * 2JE4	R
0.68	26.5	20	11	0.8	22.5	PV684 * 2JE5	R
1.0	32	22	13	0.8	27.5	PV105 * 2JF2	R
2.2	32	30	18	0.8	27.5	PV225 * 2JF4	R

备注:

1. " * " 表示容量误差。
2. " " 表示内部特征码。
3. " " 表示引线加工形式代码。
4. " " 表示引线长度代码。
5. " " 表示引线长度误差代码。
6. "R"=ROHS符合型;
"H"=Halogen - Free无卤型。

- "*" = capacitance tolerance code, J= $\pm 5\%$, K= $\pm 10\%$, M= $\pm 20\%$.
 " " = Internal use.
 " " = Lead Form Code : " L", "H", "K", "M", "N".....
 " " = Lead Length Code : " 270 ", " 200 ", " 035 ".....
 " " = Lead Length Tolerance Code : " ± 0.3 ", " ± 0.5 ", " ± 1 ".....
 "R"=ROHS compliant.
 "H"=Halogen - Free compliant.