

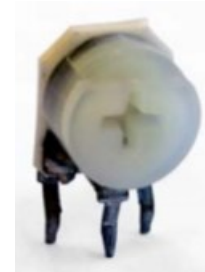
# Open Type Trimmer

## Model 36



### Features:

- 6 mm single turn
- Open frame
- Cermet
- RoHS compliant



### Model Styles Available

|                                 |     |
|---------------------------------|-----|
| Top Adjust                      | 36F |
| Side Adjust                     | 36K |
| Side Adjust                     | 36W |
| Top Adjust (2.5 mm pin spacing) | 36P |

### Electrical

|                                       |   |
|---------------------------------------|---|
| Resistance Range                      | 100 to 1 MEG Ohms                           |
| Standard Resistance Tolerance         | ± 20%                                       |
| Input Voltage, Maximum                | 100 V                                       |
| Power rating, Watts                   | 0.3 @ 70°C                                  |
| End Resistance, Maximum               | <500 ohms: 10 Ohms Max; > 500 ohms: 2% Max. |
| Actual Electrical Travel              | 215° ±5°                                    |
| Insulation Resistance, Minimum        | 100 Megohms                                 |
| Resolution                            | Essentially infinite                        |
| Contact Resistance Variation          | 5% Max.                                     |
| Temperature Coefficient of Resistance | ±250 ppm/°C                                 |

### Mechanical

|                          |                 |
|--------------------------|-----------------|
| Mechanical Travel        | 240° ±20°       |
| Rotational Torque        | 30 to 300 gf.cm |
| Weight, Approx.          | 0.01 oz.        |
| Wiper Position           | Approx. 50%     |
| Mechanical Stop Strength | 0.5K gf.cm Min. |

#### General Note

TT Electronics reserves the right to make changes in product specification without notice or liability. All information is subject to TT Electronics' own data and is considered accurate at time of going to print.

TT Electronics | BI Technologies  
4200 Bonita Place, Fullerton, CA USA 92835-1053 | Ph: +1 714-447-2300  
www.ttelectronics.com | sensors@ttelectronics.com

# Open Type Trimmer

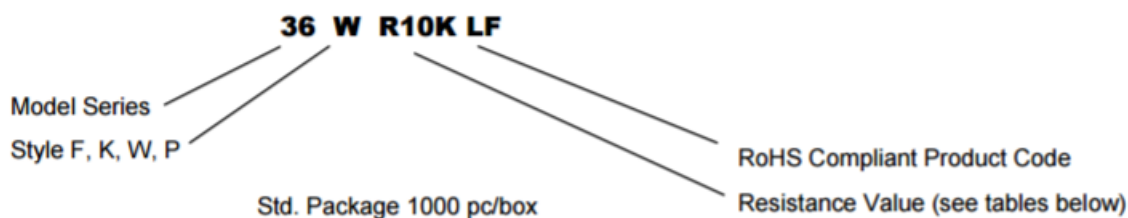
## Model 36



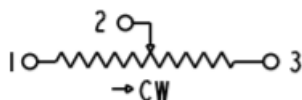
### Environmental

|                                  |                  |
|----------------------------------|------------------|
| Operating Temperature Range      | -30°C to +100°C  |
| Rotational Life, 50 Cycles       | ±10% DR          |
| Load Life, 0.3W, 500 Hours, 70°C | ±5% DR           |
| Resistance to Solder Heat        | 260°C for 3 sec. |
| Aqueous cleaning not recommended |                  |

### Ordering Information



### Circuit Diagram



### Standard Resistance Values, Ohms

| Resistance (ohms) | Part Marking |
|-------------------|--------------|
| 100               | 12           |
| 200               | 22           |
| 500               | 52           |
| 1K                | 13           |
| 2K                | 23           |
| 5K                | 53           |
| 10K               | 14           |
| 20K               | 24           |
| 50K               | 54           |
| 100K              | 15           |
| 200K              | 25           |
| 500K              | 55           |
| 1MEG              | 16           |

#### General Note

TT Electronics reserves the right to make changes in product specification without notice or liability. All information is subject to TT Electronics' own data and is considered accurate at time of going to print.

TT Electronics | BI Technologies  
 4200 Bonita Place, Fullerton, CA USA 92835-1053 | Ph: +1 714-447-2300  
[www.ttelectronics.com](http://www.ttelectronics.com) | [sensors@ttelectronics.com](mailto:sensors@ttelectronics.com)

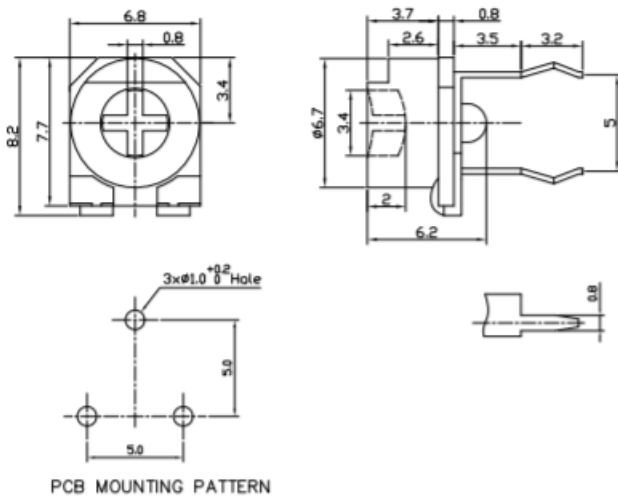
# Open Type Trimmer

## Model 36

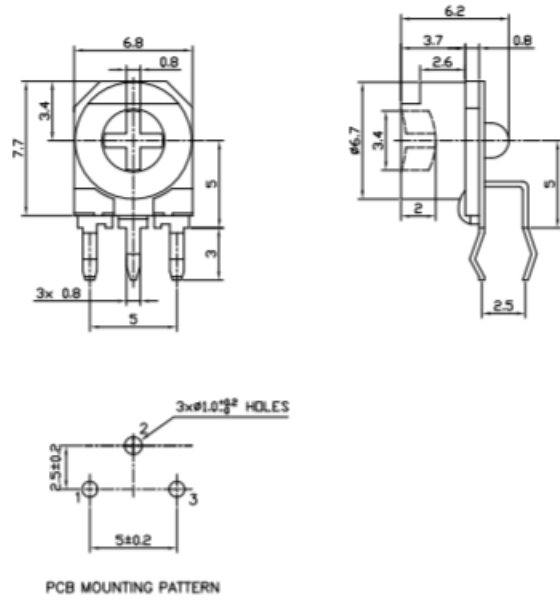


### Outline Drawings

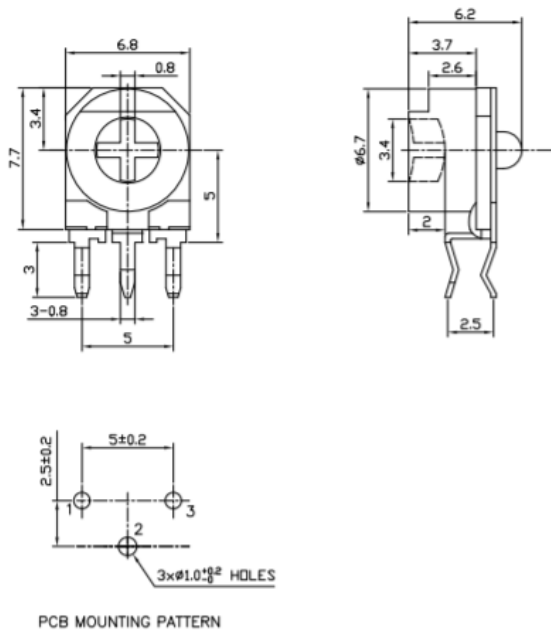
**Model 36F (Top Adjust)**



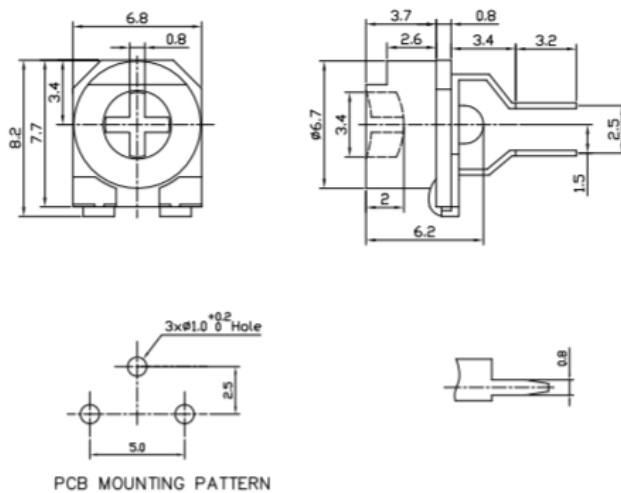
**Model 36K (Side Adjust)**



**Model 36W (Side Adjust)**



**Model 36P (Top Adjust)**



**General Note**

TT Electronics reserves the right to make changes in product specification without notice or liability. All information is subject to TT Electronics' own data and is considered accurate at time of going to print.

TT Electronics | BI Technologies  
 4200 Bonita Place, Fullerton, CA USA 92835-1053 | Ph: +1 714-447-2300  
 www.ttelectronics.com | sensors@ttelectronics.com