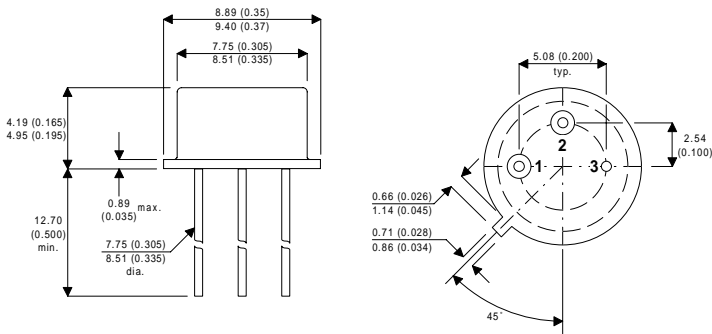


**MECHANICAL DATA**

Dimensions in mm



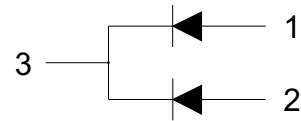
**DUAL COMMON CATHODE  
SCHOTTKY BARRIER  
RECTIFIER IN A  
LOW PROFILE  
HERMETIC TO39 PACKAGE**

**FEATURES**

- Hermetic Low Profile TO39
- $V_{RRM} = 150V$
- $I_{AV} = 6A$
- Low Forward Voltage
- Fast Reverse Recovery Time
- Screening Options Available

**TO39 PACKAGE**

1 = Anode1    2 = Anode 2    3 = Cathode 1, Cathode 2



**ABSOLUTE MAXIMUM RATINGS** ( $T_{case} = 25^{\circ}C$  unless otherwise stated)

$V_{RRM}$	Maximum Repetitive Peak Reverse Voltage	150V
$V_{RMS}$	Maximum RMS Voltage	105V
$V_{dc}$	Maximum DC Blocking Voltage	150V
$V_{pk}$	Minimum Reverse Breakdown Voltage	160V
$I_{AV}$	Maximum Average DC Output Current (75°C)	6A
$I_{FSM}$	Non Repetitive Forward Surge Current (8.3ms)	125A
$T_{stg}$	Storage Temperature Range	- 55 to +175°C
$T_j$	Maximum Operating Junction Temperature	- 65 to +150°C
$R_{\theta JC}$	Thermal Resistance (Junction-Case)	TBA

**ELECTRICAL CHARACTERISTICS**

Parameter	Test Conditions	Min.	Typ.	Max.	Unit
$V_F$	Forward Voltage			1.0	V
$I_R$	Reverse Current	$I_F = 4A$	$T = 25^{\circ}C$	5	$\mu A$
		$V_R = 150V$	$T = 100^{\circ}C$	150	
$t_{rr}$	Maximum Reverse Recovery Time	$I_F = 1A$	$I_R = 1A$	30	ns
$t_f$	Forward Recovery Time	$I_F = 1A$ recovery to 1V		15	ns
$C_j$	Typical Junction Capacitance		45		pF