

## 350mA LNB-Power Supply & Control Regulator

### FEATURES

- High Efficiency: Up to 95%@5V
- Integrated 120mΩ Power MOSFET
- 2V to 24V Input Voltage
- 1.0MHz Fixed Switching Frequency
- Internal 2A Switch Current Limit
- Adjustable Output Voltage
- Internal Compensation
- Up to 28V Output Voltage
- Automatic Pulse Frequency Modulation
- 1.0MHz Switch Frequency
- up to 93% Efficiency
- LNB Voltages (2 levels: 14V and 19V)

### APPLICATIONS

- ABS Set-Top Boxes
- DVB-S/S2
- Satellite TV cards

### TYPICAL APPLICATION

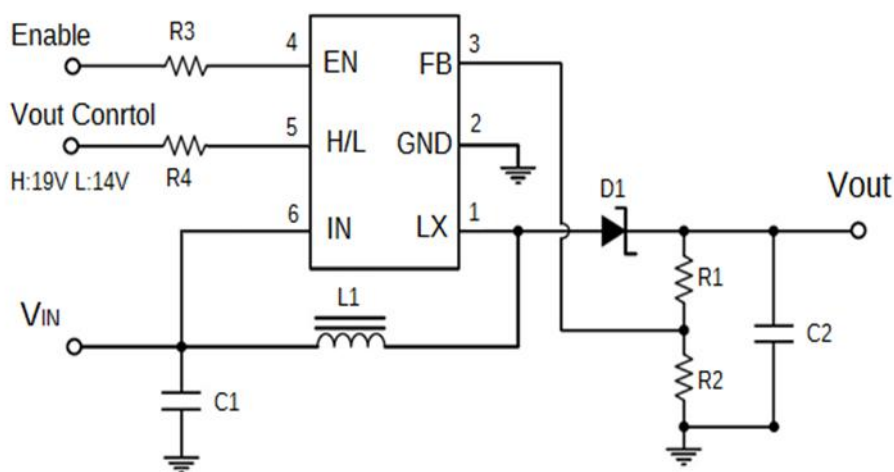


Figure 1. Basic Application Circuit

### GENERAL DESCRIPTION

The STI8033 is a constant frequency, 6-pin SOT23 current mode step-up converter intended for small, low power applications. The STI8033 switches at 1.0MHz and allows the use of tiny, low cost capacitors and inductors 2mm or less in height. Internal soft-start results in small inrush current and extends battery life.

The STI8033 features automatic shifting to pulse frequency modulation mode at light loads. The STI8033 includes under-voltage lockout, current limiting, and thermal overload protection to prevent damage in the event of an output overload. The STI8033 is available in a small 6-pin SOT-23 package.