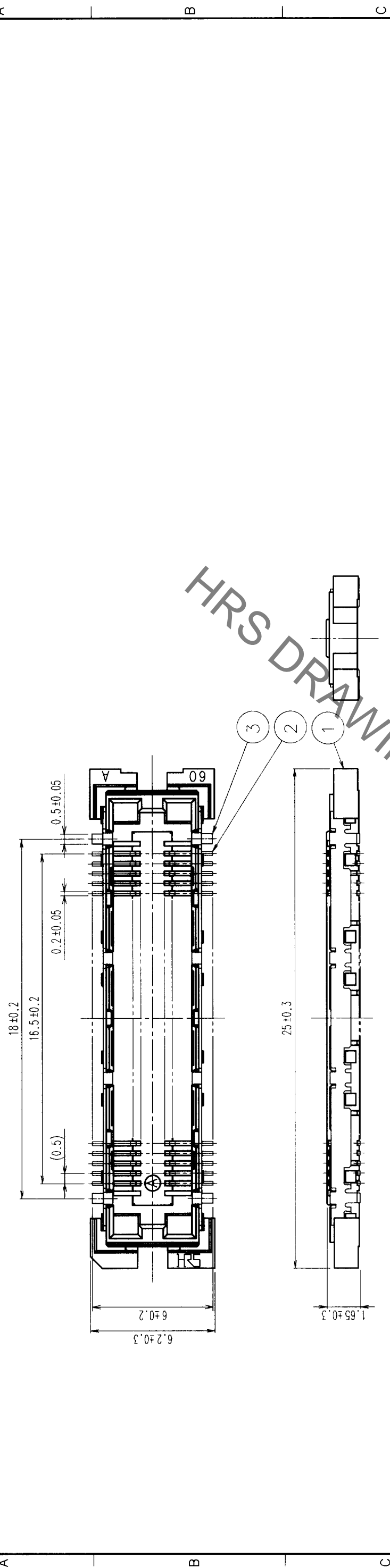
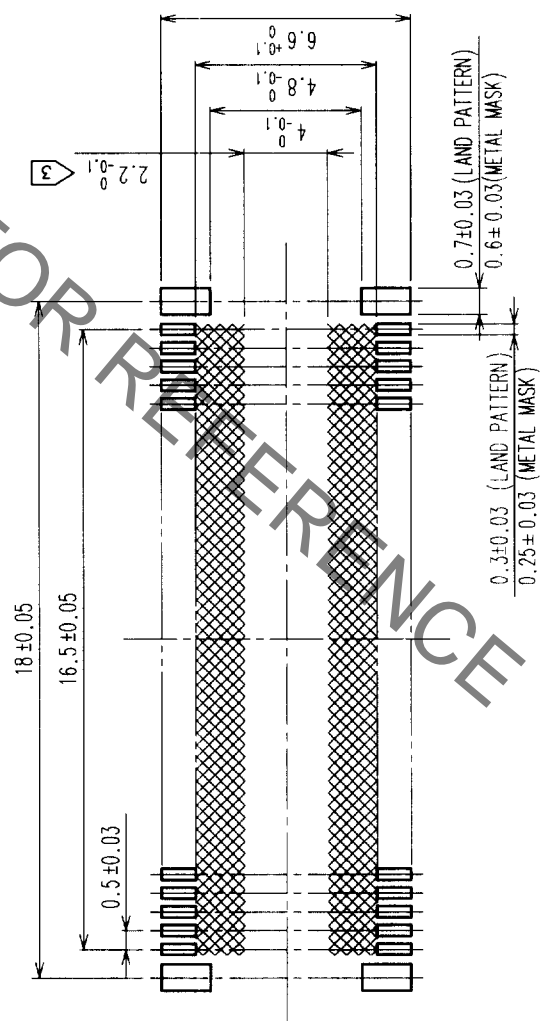


COUNT	DESCRIPTION OF REVISIONS	BY	CHKD	DATE	COUNT	DESCRIPTION OF REVISIONS	BY	CHKD	DATE
△					△				
△					△				
△					△				



RECOMMENDED LAND PATTERN DIMENSION OF PCB



- NOTES
- SMT LEAD-COPLANARITY: 0.1 MAX.
  - THIS PRODUCT HAS NO POLARITY TO PATTERN FOR MOUNTING.
  - MAKE SURE WIDTH OF PATTERN IS WITHIN THAT OF LAND ,OR LEAD MAY TOUCH PATTERN. (THIS APPLIES TO HATCHED AREA.)
  - TO BE EMBOSSED CARRIER TAPED AS SPECIFIED IN SHEET 2.

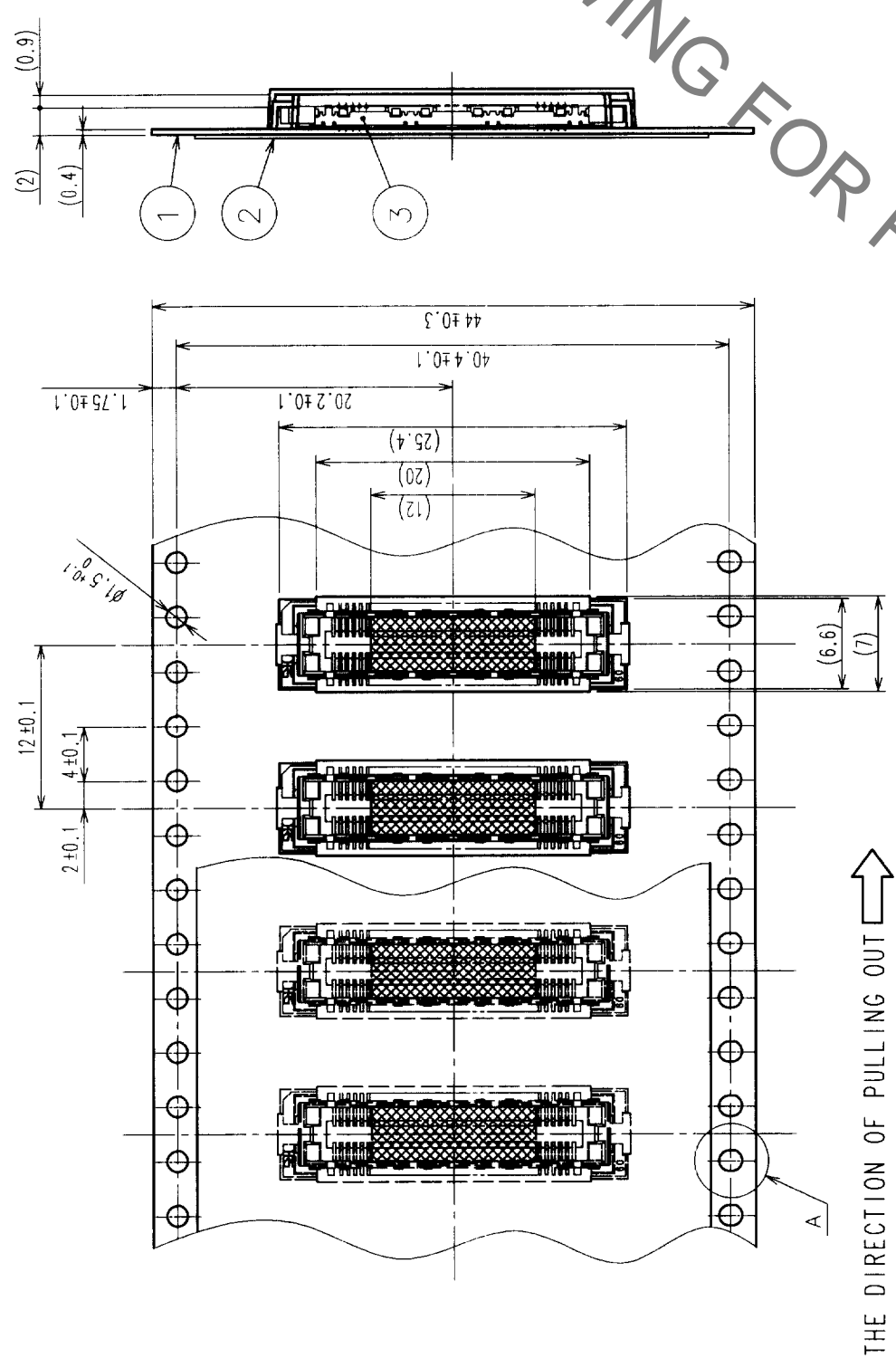
2	PHOSPHOR BRONZE	CONTACT AREA: GOLD (0.1μm) OVER NICKEL
1	LCP	LEAD: GOLD FLASH OVER NICKEL
NO.	MATERIAL	FINISH, REMARKS
3	PHOSPHOR BRONZE	UL94V-0
NO.	MATERIAL	FINISH, REMARKS
DESIGNED	CHECKED	TIN PLATED
DRAWN	APPROVED	RELEASED
77.10.29	77.10.29	77.10.28
77.10.29	77.10.29	77.10.28

DRAWING NO.	PART NO.
EDC3-152120-02	FX11LB-68S-SV (22)
SCALE	CODE NO.
5 : 1	CL573-0152-0-22
UNITS	
mm	

TO	
PCK	

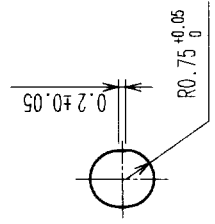
Aug.1.2022 Copyright 2022 HIROSE ELECTRIC CO., LTD. All Rights Reserved.  
 In case of consideration for using Automotive equipment / device which demand high reliability, kindly contact our sales winglow correspondents.

COUNT	DESCRIPTION OF REVISIONS	BY	CHKD	DATE	COUNT	DESCRIPTION OF REVISIONS	BY	CHKD	DATE
△					△				
△					△				
△					△				

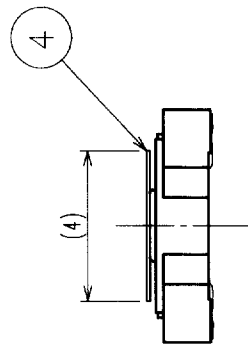


THE DIRECTION OF PULLING OUT →

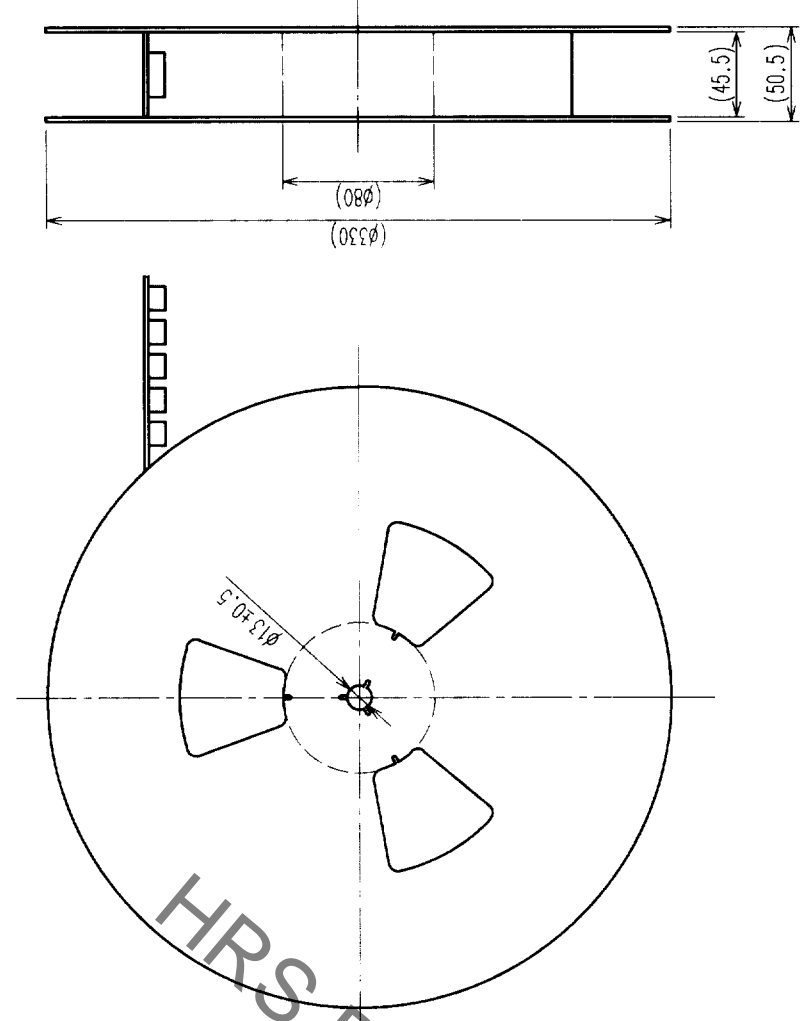
A (5:1)



DETAIL FOR TAPE PICKUP (5:1)



REELED DIMENSION (Free)



- NOTES
- 1 REEL: 1000 CONNECTORS.
  - 2 MINIMUM 10 COMPARTMENTS FROM BOTH REEL ENDS REMAIN EMPTY.
  - 3 THIS PRODUCT HAS NO POLARITY TO TAPE AND REEL PACKAGING.

2	PET	TOP COVER TAPE	4	POLYIMIDE	(TAP FOR VACUUM PICKUP)
1	PS	EMBOSSED CARRIER TAPE	3	(CONNECTOR)	
NO.	MATERIAL	FINISH, REMARKS	NO.	MATERIAL	FINISH, REMARKS
DRAWING FOR PACKING					
CODE NO. (OLD)		DRAWN		DESIGNED	CHECKED
CL		M. Saitoh		M. Saitoh	M. Saitoh
		99.10.27		99.10.27	99.10.28
DRAWING NO.		PART NO.		APPROVED	
EDC3-152120-02		FX11LB-68S-SV(22)		M. Saitoh	
SCALE		UNITS		RELEASED	
2:1		mm			
HRS		HIROSE ELECTRIC CO., LTD			
CL573-0152-0-22					

TO	
PCK	