

**SURFACE MOUNT SCHOTTKY BARRIER RECTIFIER**

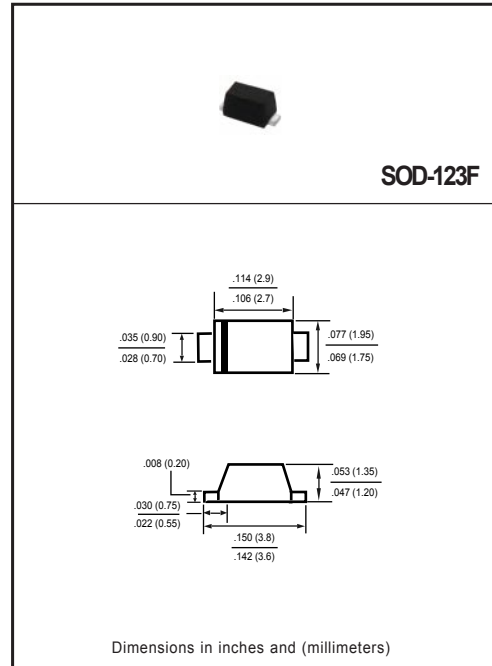
**VOLTAGE RANGE 20 to 40 Volts CURRENT 0.5 Ampere**

**FEATURES**

- \* Low power loss, high efficiency
- \* Low leakage
- \* Low forward voltage
- \* High current capability
- \* High speed switching
- \* High surge capability
- \* High reliability

**MECHANICAL DATA**

- \* Epoxy: Device has UL flammability classification 94V-0
- \* Mounting position: Any
- \* Weight: 0.016 gram



**MAXIMUM RATINGS AND ELECTRICAL CHARACTERISTICS**

Ratings at 25 °C ambient temperature unless otherwise specified.  
Single phase, half wave, 60 Hz, resistive or inductive load.  
For capacitive load, derate current by 20%.

**MAXIMUM RATINGS (@ TA=25 °C unless otherwise noted)**

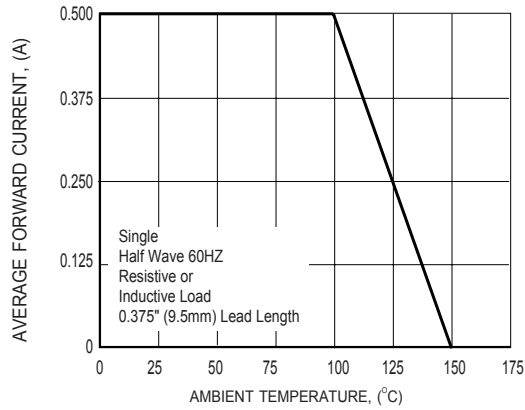
RATINGS	SYMBOL	05SSL20	05SSL30	05SSL40	UNITS
Maximum Recurrent Peak Reverse Voltage	V <sub>RRM</sub>	20	30	40	Volts
Maximum RMS Voltage	V <sub>RMS</sub>	14	21	28	Volts
Maximum DC Blocking Voltage	V <sub>DC</sub>	20	40	40	Volts
Maximum Average Forward Rectified Current .375" (9.5mm) lead length at T <sub>A</sub> =100°C	I <sub>O</sub>	0.5			Amps
Peak Forward Surge Current 8.3 ms single half sine-wave superimposed on rated load (JEDEC method)	I <sub>FSM</sub>	60			Amps
Typical Junction Capacitance (Note1)	C <sub>J</sub>	110			pF
	R <sub>θJA</sub>	110			°C/W
Typical Thermal Resistance (Note 3)	R <sub>θJL</sub>	30			
	Operating Temperature Range	T <sub>J</sub>	150		
Storage Temperature Range	T <sub>STG</sub>	-55 to + 150			°C

**ELECTRICAL CHARACTERISTICS (@TA=25 °C unless otherwise noted)**

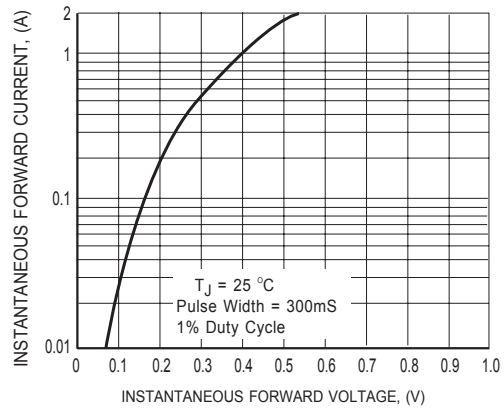
CHARACTERISTICS	SYMBOL	05SSL20	05SSL30	05SSL40	UNITS
Maximum Instantaneous Forward Voltage at 0.5A DC	V <sub>F</sub>	0.30			Volts
Maximum Average Reverse Current at Rated DC Blocking Voltage	@ T <sub>A</sub> = 25°C	1.0			mAmps
	@ T <sub>A</sub> = 100°C	10			mAmps

- NOTES : 1. Measured at 1 MHz and applied reverse voltage of 4.0 volts.  
2. "Fully ROHS compliant", "100% Sn plating (Pb-free)".  
3. Thermal resistance: Mounted on PCB.

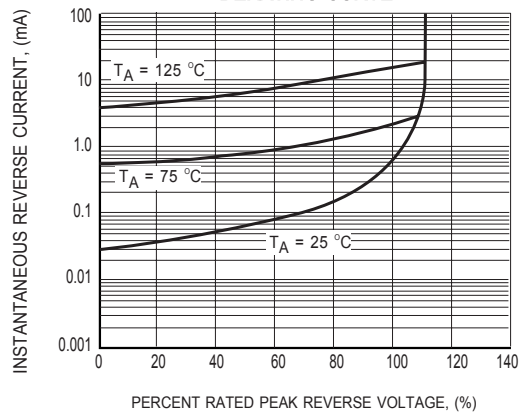
**RATING AND CHARACTERISTICS CURVES ( 05SSL20 THRU 05SSL40 )**



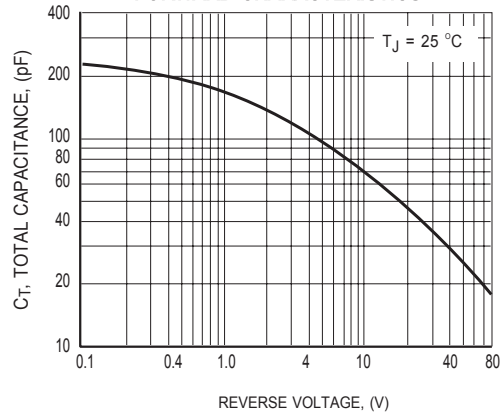
**FIG.1 TYPICAL FORWARD CURRENT DERATING CURVE**



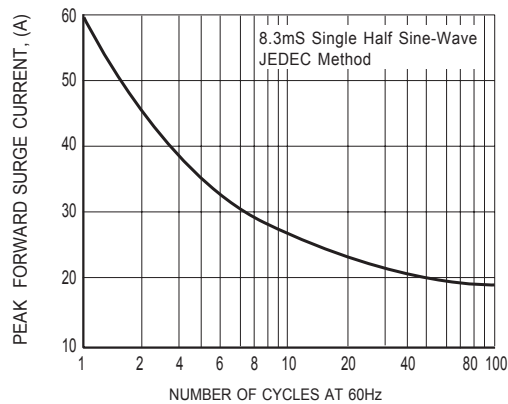
**FIG.2 TYPICAL INSTANTANEOUS FORWARD CHARACTERISTICS**



**FIG.3 TYPICAL REVERSE CHARACTERISTICS**



**FIG.4 TYPICAL JUNCTION CAPACITANCE**



**FIG.5 MAXIMUM NON-REPETITIVE FORWARD SURGE CURRENT**